

250-406^{Q&As}

Administration of Clearwell eDiscovery Platform 7.x

Pass Symantec 250-406 Exam with 100% Guarantee

Free Download Real Questions & Answers **PDF** and **VCE** file from:

<https://www.pass2lead.com/250-406.html>

100% Passing Guarantee
100% Money Back Assurance

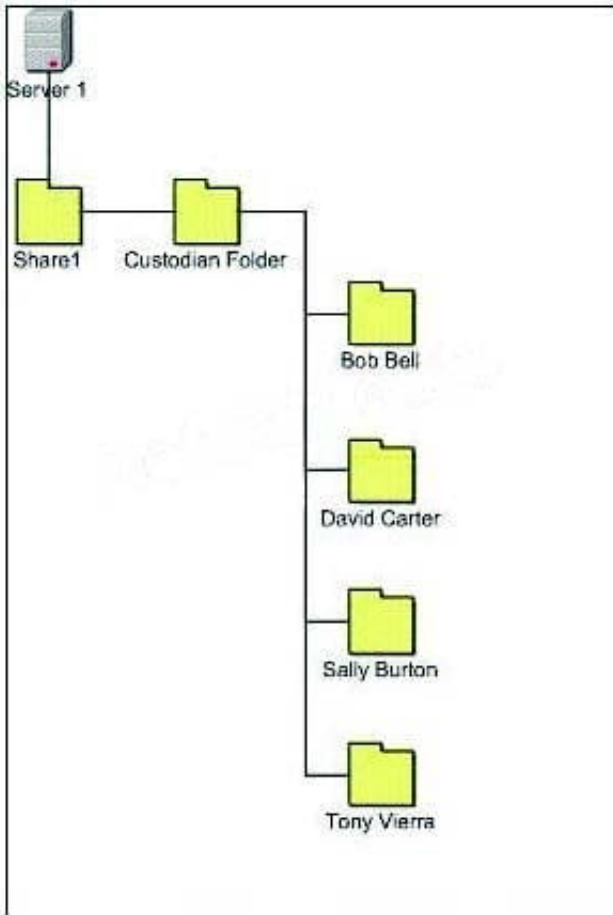
Following Questions and Answers are all new published by Symantec
Official Exam Center

- ⚙️ **Instant Download** After Purchase
- ⚙️ **100% Money Back** Guarantee
- ⚙️ **365 Days** Free Update
- ⚙️ **800,000+** Satisfied Customers



QUESTION 1

Refer to the exhibit.



A Symantec Clearwell eDiscovery Platform 7.x System Manager needs to collect data from a file share that includes previously collected and stored custodian data. During the collection, the System Manager must assign the correct custodian to the data. The exhibit displays the Directory structure for the stored data. Which value should be placed in the custodian path in the collection properties to ensure that the folder named after each custodian is used as the custodian assignment?

- A. 2
- B. 3
- C. 4
- D. 5

Correct Answer: C

QUESTION 2

What is purpose of the File Based Search in Symantec Clearwell eDiscovery Platform 7.x?

- A. to run searches that cannot be run via the search UI due to term expansion limitations
- B. to provide a way to export only the "Keywords" section data to a CSV file
- C. a new way to produce tangible evidence of the Legal Hold notifications that have been created, their status, and the custodian actions
- D. to place a "hold" on information in its current Enterprise Vault location without collecting or copying the data

Correct Answer: C

QUESTION 3

How does the Symantec Clearwell eDiscovery Platform 7.x assist in maintaining chain-of-custody through the Collections and Processing stages of the Electronic Discovery Reference Model (EDRM)?

- A. by indexing all source data
- B. by integrating with third-party processing applications and presenting a unified management interface for those tools
- C. by creating a hashed copy set in a preservation store for indexing
- D. by generating a list of file hashes for all documents before collecting them

Correct Answer: C

QUESTION 4

What does the All Cases dashboard display?

- A. overview of Active Cases
- B. Clearwell 6.6 logo
- C. overview of Legal Holds
- D. specific Case Details

Correct Answer: B

QUESTION 5

What are the two key benefits of Symantec Clearwell eDiscovery Platform's Distributed Architecture? (Select two.)

- A. It enables supervisory review of data for specified users based on searches and/or sampling functions.
- B. It preserves free flow of vital email from legitimate sources.
- C. It provides flexibility to handle the largest, most complex, most demanding cases.
- D. It provides very unique reports to customers that include elements of the data itself.

E. It supports the workflows that the customers are used to and depend on to succeed.

Correct Answer: CE

[250-406 PDF Dumps](#)

[250-406 VCE Dumps](#)

[250-406 Practice Test](#)