



# 642-999<sup>Q&As</sup>

Implementing Cisco Data Center Unified Computing

## Pass Cisco 642-999 Exam with 100% Guarantee

Free Download Real Questions & Answers **PDF** and **VCE** file from:

<https://www.pass4lead.com/642-999.html>

100% Passing Guarantee  
100% Money Back Assurance

Following Questions and Answers are all new published by Cisco  
Official Exam Center

-  **Instant Download** After Purchase
-  **100% Money Back** Guarantee
-  **365 Days** Free Update
-  **800,000+** Satisfied Customers





## QUESTION 1

### Scenario

In this scenario, you will refer to screenshots about Cisco UCS B-Series servers and UCS Manager.

### Instructions

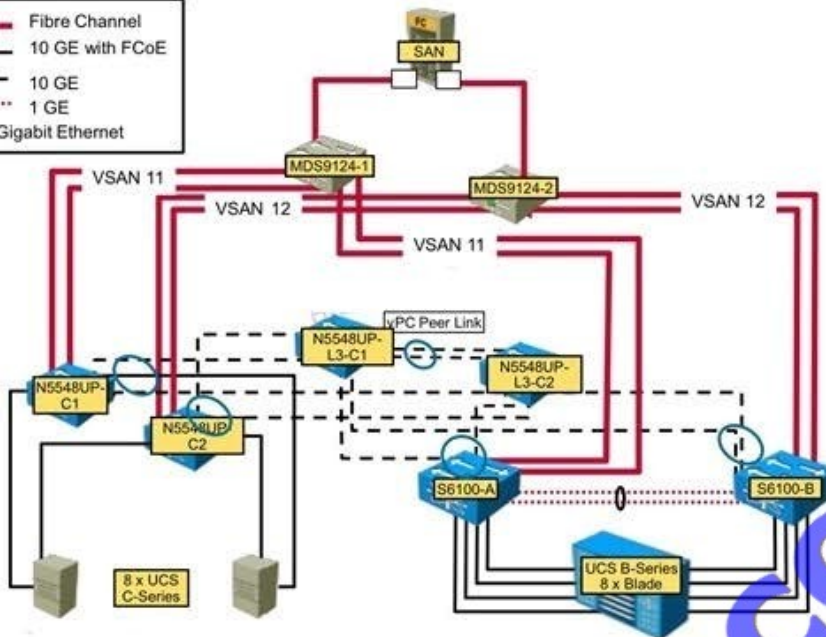
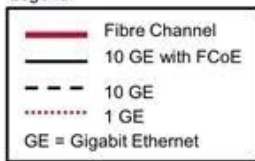
To access the multiple-choice questions, click on the numbered boxes on the left of the top panel.

There are four multiple-choice questions with this task.

Be sure to answer all four questions before selecting the Next button.



Legend:



```
Exhibit2
interface Vethernet749
  description server 1/1, VNIC vNIC0
  switchport mode trunk
  untagged cos 4
  no pinning server sticky
  pinning server pinning-failure link-down
```





Refer to the Exhibit 3 screenshot of UCS Manager. Which two items are required to configure an IPMI profile? (Choose two.)

- A. IPMI Type
- B. User
- C. Role
- D. Locale
- E. Administrative State

Correct Answer: BC

Reference:

[http://www.cisco.com/c/en/us/td/docs/unified\\_computing/ucs/sw/gui/config/guide/20/b\\_UCSM\\_GUI\\_Configuration\\_Guide\\_2\\_0/b\\_UCSM\\_GUI\\_Configuration\\_Guide\\_2\\_0\\_chapter\\_01](http://www.cisco.com/c/en/us/td/docs/unified_computing/ucs/sw/gui/config/guide/20/b_UCSM_GUI_Configuration_Guide_2_0/b_UCSM_GUI_Configuration_Guide_2_0_chapter_01)

1100.html#d129007e3491a1635

---

## QUESTION 2

Which two settings are required when utilizing DirectPath I/O? (Choose two.)

- A. CPU pinning
- B. full memory reservation
- C. Set port profile performance to "high".
- D. vCPU pinning
- E. VM queue modification
- F. adapter profile update
- G. Install DirectPath VIB on host.
- H. Enable VMQ with the "enable-netadaptervmq" cmdlet.

Correct Answer: BC

---

## QUESTION 3

Which options are valid port types when configuring fixed 10-Gb LAN interfaces on the Cisco UCS 6200 Series Fabric Interconnects? (Choose three.)

- A. monitoring port
- B. server port



- C. uplink Ethernet port
- D. FEX port
- E. Fibre Channel storage port

Correct Answer: ABC

---

#### QUESTION 4

Which boot option must be present in the boot policy to have the option to manually boot from the FlexFlash Secure Digital card?

- A. any configuration
- B. FlexFlash state
- C. local disk
- D. remote virtual drive

Correct Answer: C

---

#### QUESTION 5

From the Cisco UCS Manager GUI, which two configurations can be performed for Cisco UCS C-Series Rack-Mount Servers from the rack server discovery policy? (Choose two.)

- A. whether the server is discovered immediately or after the acknowledgement of the administrator
- B. defines the scrub policy to be used upon discovery
- C. defines the management IP address to be associated to the server upon discovery
- D. reverts a -Series server from Cisco UCS domain mode to standalone mode
- E. defines the Cisco Host Upgrade Utility ISO file for the rack servers connected to the fabric interconnects

Correct Answer: AB

Reference:

[http://www.cisco.com/c/en/us/td/docs/unified\\_computing/ucs/sw/gui/config/guide/20/b\\_UCSM\\_GUI\\_Configuration\\_Guide\\_2\\_0/b\\_UCSM\\_GUI\\_Configuration\\_Guide\\_2\\_0\\_chapter\\_01\\_100.html](http://www.cisco.com/c/en/us/td/docs/unified_computing/ucs/sw/gui/config/guide/20/b_UCSM_GUI_Configuration_Guide_2_0/b_UCSM_GUI_Configuration_Guide_2_0_chapter_01_100.html)



To Read the [Whole Q&As](#), please purchase the [Complete Version](#) from [Our website](#).

## Try our product !

100% Guaranteed Success

100% Money Back Guarantee

365 Days Free Update

Instant Download After Purchase

24x7 Customer Support

Average 99.9% Success Rate

More than 800,000 Satisfied Customers Worldwide

Multi-Platform capabilities - [Windows](#), [Mac](#), [Android](#), [iPhone](#), [iPod](#), [iPad](#), [Kindle](#)

We provide exam PDF and VCE of Cisco, Microsoft, IBM, CompTIA, Oracle and other IT Certifications. You can view Vendor list of All Certification Exams offered:

<https://www.pass4lead.com/allproducts>

## Need Help

Please provide as much detail as possible so we can best assist you.

To update a previously submitted ticket:



 <p><b>One Year Free Update</b> Free update is available within One Year after your purchase. After One Year, you will get 50% discounts for updating. And we are proud to boast a 24/7 efficient Customer Support system via Email.</p>	 <p><b>Money Back Guarantee</b> To ensure that you are spending on quality products, we provide 100% money back guarantee for 30 days from the date of purchase.</p>	 <p><b>Security &amp; Privacy</b> We respect customer privacy. We use McAfee's security service to provide you with utmost security for your personal information &amp; peace of mind.</p>
---	---	--

Any charges made through this site will appear as Global Simulators Limited.

All trademarks are the property of their respective owners.

Copyright © pass4lead, All Rights Reserved.