

1D0-571^{Q&As}

CIW V5 Security Essentials

Pass CIW 1D0-571 Exam with 100% Guarantee

Free Download Real Questions & Answers **PDF** and **VCE** file from:

<https://www.pass2lead.com/1d0-571.html>

100% Passing Guarantee
100% Money Back Assurance

Following Questions and Answers are all new published by CIW Official Exam Center

- ⚙️ **Instant Download** After Purchase
- ⚙️ **100% Money Back** Guarantee
- ⚙️ **365 Days** Free Update
- ⚙️ **800,000+** Satisfied Customers



QUESTION 1

Which of the following is a primary weakness of asymmetric-key encryption?

- A. It is slow because it requires extensive calculations by the computer. B. It can lead to the corruption of encrypted data during network transfer.
- B. It is reliant on the Secure Sockets Layer (SSL) standard, which has been compromised.
- C. It is difficult to transfer any portion of an asymmetric key securely.

Correct Answer: A

QUESTION 2

You have determined that an attack is currently underway on your database server. An attacker is currently logged in, modifying data. You want to preserve logs, caching and other data on this affected server.

Which of the following actions will best allow you to stop the attack and still preserve data?

- A. Pull the server network cable
- B. Shut down the server
- C. Back up the system logs
- D. Force an instant password reset

Correct Answer: A

QUESTION 3

Which tool is best suited for identifying applications and code on a Web server that can lead to a SQL injection attack?

- A. A vulnerability scanner
- B. A packet sniffer
- C. An intrusion-detection system
- D. A network switch

Correct Answer: A

QUESTION 4

Which of the following describes the practice of stateful multi-layer inspection?

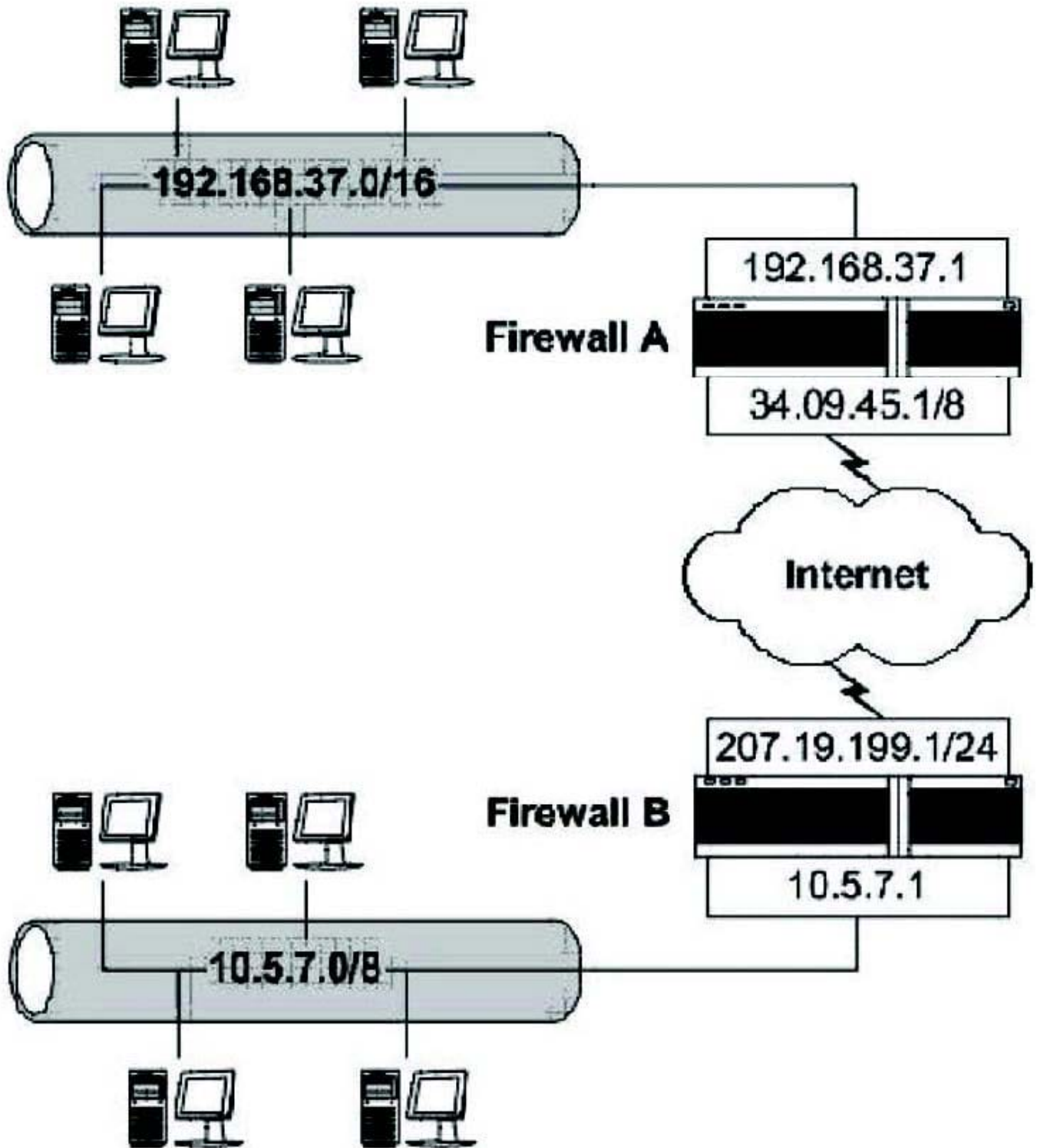
- A. Using a VLAN on a firewall to enable masquerading of private IP addresses

- B. Prioritizing voice and video data to reduce congestion
- C. Inspecting packets in all layers of the OSI/RM with a packet filter
- D. Using Quality of Service (QoS) on a proxy-oriented firewall

Correct Answer: C

QUESTION 5

Consider the following diagram involving two firewall-protected networks: Which of the following is necessary for each of the firewalls to allow private IP addresses to be passed on to the Internet?



- A. Chargeback
- B. Stateful multi-layer inspection
- C. Masquerading
- D. DMZ creation

Correct Answer: C

[Latest 1D0-571 Dumps](#)

[1D0-571 PDF Dumps](#)

[1D0-571 Braindumps](#)