

1Z0-822^{Q&As}

Oracle Solaris 11 Advanced System Administration

Pass Oracle 1Z0-822 Exam with 100% Guarantee

Free Download Real Questions & Answers **PDF** and **VCE** file from:

<https://www.pass2lead.com/1z0-822.html>

100% Passing Guarantee
100% Money Back Assurance

Following Questions and Answers are all new published by Oracle
Official Exam Center

- ⚙️ **Instant Download** After Purchase
- ⚙️ **100% Money Back** Guarantee
- ⚙️ **365 Days** Free Update
- ⚙️ **800,000+** Satisfied Customers



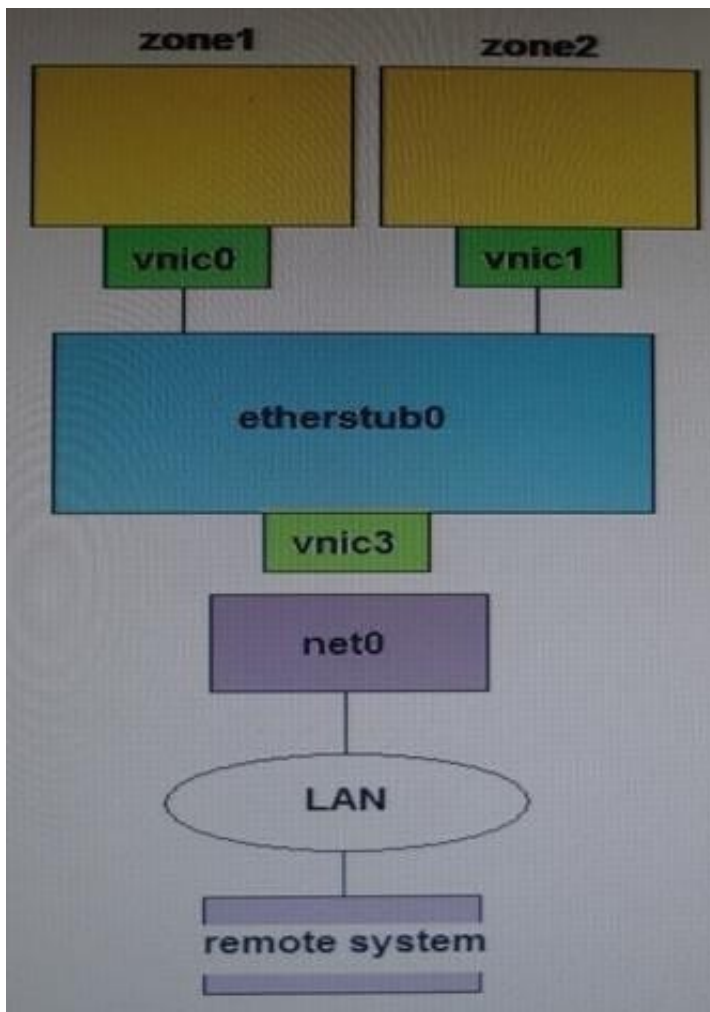
QUESTION 1

You are about to configure an AI server and you need to determine if NWAM is configured, if the system has a manually configured IP interface. Which command gives you this information?

- A. nscfg list
- B. netadm list
- C. netcfg list
- D. svcs network/physical

Correct Answer: C

QUESTION 2



Consider the following commands and output on the local server:

```
root@sol11-server:~# dladm show-phys
LINK          MEDIA        STATE SPEED  DUPLEX  DEVICE
net0          Ethernet    up    1000   full    nge0
net1          Ethernet    up    100    full    nge1

zone1/etherstub0 vnic0 - 192.168.2.210
zone2/etherstub0 vnic1 - 192.168.2.220
etherstub0 vnic3 - 192.168.2.200
net0 - 192.168.1.200
remote-system 192.168.1.1
```

Also, consider the following route table entry on a remote system:

```
192.168.2.0 192.168.1.200 UG 1 1
```

You must configure a virtual switch to connect over net0 to the remote system. Select two commands that complete the configuration.

- A. ipadm set-ifprop p forwarding=on net0
- B. ipadm set-prop p forwarding=on vnic2
- C. ipacim set-prop p forwarding=on ipv4
- D. ipadm set-prop p routing=on net0
- E. routeadm ue ipv4-forwarding
- F. routeadm ue ipv4-routing

Correct Answer: BF

QUESTION 3

You have a ZFS pool that contains a hierarchy of data file systems. You create snapshots of the file systems and you created a clone (dpool/export/CID) of the dpool/export/home/CID file systems. The file systems are as follows:

```
NAME                USED AVAIL REFER MOUNTPOINT
dpool/export        407M 130G  32K    /export
dpool/export/data   407M 130G  54.5K  /export/data
dpool/export/home/CID 226M 130G  226M  /export/home/CID
dpool/export/home/RID 180M 130G  180M  /export/home/RID
dpool/export/CID    24K  130G  226M  /export/CID
```

Now you remove a file from the cloned file system: root@sl1-server1:~# rm /export/CID/core.bash.8070 How will space usage be changed for dpool/export/CID?

- A. The USED value will increase and the REFER value will decrease; the AVAIL value will be unchanged.
- B. The USED value will decrease and the REFER value will increase; the AVAIL value will increase.
- C. The USED value will decrease, the REFER value will decrease; the AVAIL value will increase.
- D. USED, REFER and the AVAIL value will be unchanged.

Correct Answer: C

QUESTION 4

The zpool configuration on serverA is:

pool 1 c3t2d0 c3t3d0 pool 2 c3t4d0 c3t5d0

The zpool configuration on serverB is:

pool1 mirror-0 c3t2d0 c3t3d0 mirror-1 c3t4d0 c3t5d0

Which option will modify the configuration on serverA to match serverB?

- A. zpool destroy pool2 zpool attach pool1 c3t4d0 c3t5d0
- B. zpool destroy pool2 zpool attach pool1 c3t2d0 c3t2d0 c3t4d0 c3t5d0
- C. zpool destroy pool2 zpool add pool1 c3t4d0 c3t5d0
- D. zpool destroy pool2 zpool mirror pool1 pool2
- E. zpool destroy pool2 zpool attach pool1 c3t2d0 attach pool1 c3t3d0 zpool attach pool1 c3t4d0 attach pool1 c3t5d0
- F. zpool destroy pool1; zpool destroy pool2; zpool create pool1 mirror c 3t2d0 c3t3d0 mirror c4t4d0 c3t5d0

Correct Answer: F

QUESTION 5

You are creating a new SMF service named newservice. You perform the following steps:

-

Create the XML manifest file to define the service.

-

Create a script to be used to start and stop the service and set the execute permissions on this script.

What is the next step that you must perform to install this service?

- A. Enable the service
- B. Export the service
- C. Import the service.
- D. Create a snapshot of the service to be stored in the repository.

Correct Answer: C

[1Z0-822 PDF Dumps](#)

[1Z0-822 VCE Dumps](#)

[1Z0-822 Exam Questions](#)