



# 300-175<sup>Q&As</sup>

Cisco Data Center Unified Computing

## Pass Cisco 300-175 Exam with 100% Guarantee

Free Download Real Questions & Answers **PDF** and **VCE** file from:

<https://www.pass4lead.com/300-175.html>

100% Passing Guarantee  
100% Money Back Assurance

Following Questions and Answers are all new published by Cisco  
Official Exam Center

-  **Instant Download** After Purchase
-  **100% Money Back** Guarantee
-  **365 Days** Free Update
-  **800,000+** Satisfied Customers





## QUESTION 1

Refer to the exhibit.

```
Server # scope chassis
server /chassis # show adapter
server /chassis # scope adapter 2
server /chassis/adapter # scope host-eth-if eth0
server /chassis/adapter/host-eth-if # create usnic-config 0
server /chassis/adapter/host-eth-if/usnic-config *# set usnic-count 64
server /chassis/adapter/host-eth-if/usnic-config *# set cq-count 6
server /chassis/adapter/host-eth-if/usnic-config *# set rq-count 6
server /chassis/adapter/host-eth-if/usnic-config *# set tq-count 6
server /chassis/adapter/host-eth-if/usnic-config *# commit
Committed settings will take effect upon the next server reset
server /chassis/adapter/host-eth-if/usnic-config # exit
server /chassis/adapter/host-eth-if # exit
server /chassis/adapter # exit
server /chassis # exit
server # exit
server# scope bios
server /bios # scope advanced
server /bios/advanced # set IntelVTD Enabled
server /bios/advanced *# set ATS Enabled*
server /bios/advanced *# set CoherencySupport Enabled
server /bios/advanced *# commit
Changes to BIOS set-up parameters will require a reboot.
Do you want to reboot the system?[y|N]y
A system reboot has been initiated.
```

What statement is true regarding this setup created by this configuration?

- A. The NIC bypasses the kernel when sending and receiving networking packets
- B. The applications interact directly with the OS Kernel
- C. All of the other vNICs in the server are deleted and replaced by the usnic.
- D. Other answer (unknown)

Correct Answer: A

[https://www.cisco.com/c/en/us/td/docs/unified\\_computing/ucs/usnic/c/deployment/2\\_0\\_X/b\\_Cisco\\_usNIC\\_Deployment\\_Guide\\_For\\_Standalone\\_C-SeriesServers.html#task\\_7B190C1F34C64BF7A04DF01D5E60454D](https://www.cisco.com/c/en/us/td/docs/unified_computing/ucs/usnic/c/deployment/2_0_X/b_Cisco_usNIC_Deployment_Guide_For_Standalone_C-SeriesServers.html#task_7B190C1F34C64BF7A04DF01D5E60454D)

## QUESTION 2

Refer to the exhibit. Which result of running the command is true?



```
CISCO # scope org /
CISCO /org* # scope boot-policy cisco_1
CISCO /org/boot-pclcy # create san
CISCO /org/boot-pclcy/san* # set order 1
CISCO /org/boot-pclcy/san* # create san-image primary
CISCO /org/boot-pclcy/san/san-image* # set vhma vHBA2
CISCO /org/boot-pclcy/san/san-image* # create path secondary
CISCO /org/boot-pclcy/san/san-image/path* # set lun 5
```

- A. The server attempts to boot by using vHBA2
- B. The server boots from a local disk before booting from the SAN
- C. vHBA2 must be associated to a vNIC
- D. vHBA2 is the secondary boot device

Correct Answer: A

### QUESTION 3

You need to install Cisco UCS Central Software at a customer site and set it up to manage Cisco UCS Manager. What should you do to accomplish this goal?

- A. Register the Cisco UCS domains in Cisco UCS Central Software.
- B. Register the same Cisco UCS equipment that is managed by Cisco UCS Manager, and Cisco UCS Manager itself, in Cisco UCS Central Software.
- C. Register Cisco UCS Manager in Cisco UCS Central Software.
- D. Register Cisco UCS Central Software in Cisco UCS Manager.

Correct Answer: A

[https://www.cisco.com/c/en/us/td/docs/unified\\_computing/ucs/ucs-central/videos/1-5/domain\\_registration\\_and\\_unregistration\\_through\\_ucs\\_central.html](https://www.cisco.com/c/en/us/td/docs/unified_computing/ucs/ucs-central/videos/1-5/domain_registration_and_unregistration_through_ucs_central.html)

### QUESTION 4

Which solution enables Cisco devices to be monitored with automated support capabilities?

- A. Connected service assurances
- B. Cisco Intersight
- C. Cisco Intelligent Monitoring Agent



D. Two-Tier smart agent

Correct Answer: B

---

## QUESTION 5

### Scenario

In this scenario, you will refer to screenshots about Cisco UCS B-Series servers and UCS Manager.

### Instructions

To access the multiple-choice questions, click on the numbered boxes on the left of the top panel. There are four multiple-choice questions with this task. Be sure to answer all four questions before selecting the Next button.



## DCUCI 5.0 Lab Topology—Backbone

Legend:

- Fibre Channel
- 10 GE with FCoE
- - - 10 GE
- ..... 1 GE
- GE = Gigabit Ethernet

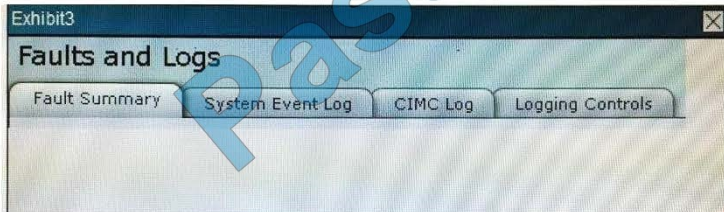
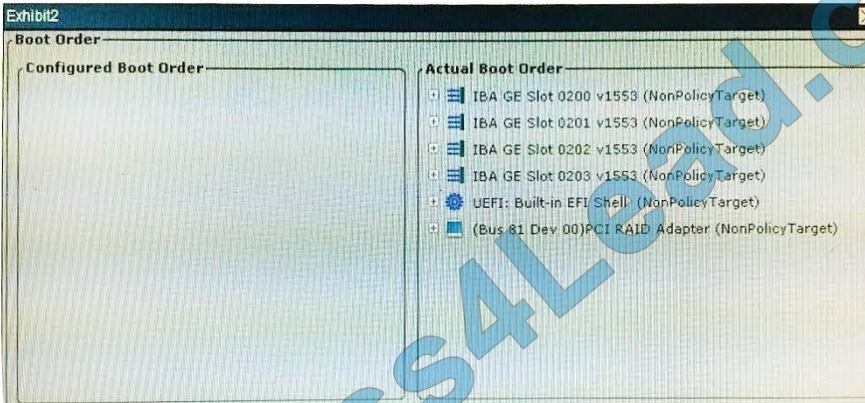
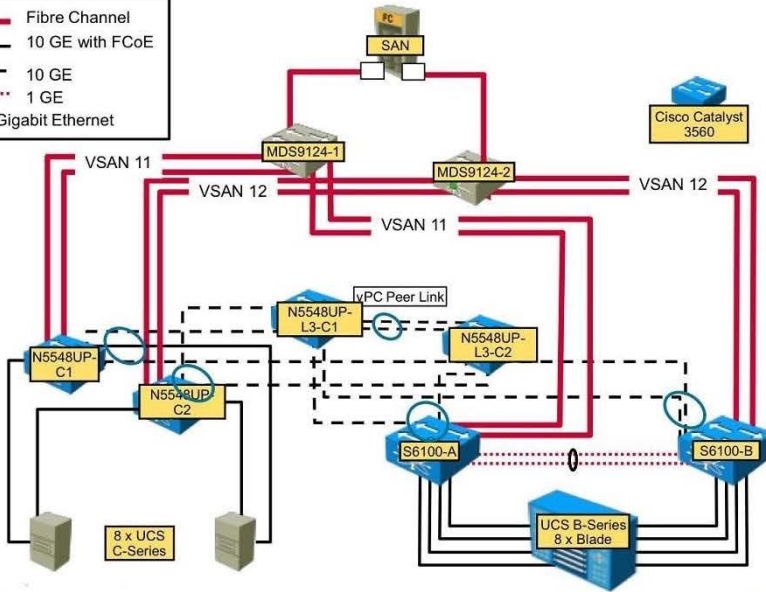






Exhibit4

### Trap Details

**Trap Settings**

ID: 1

Enabled:

SNMP Version: V3

Trap Type:  Trap  Inform

User: None

Destination IP: 0.0.0.0

OK Reset Values Close

Exhibit5

### User Details

**User Properties**

ID: 2

Enabled:

Username: \_\_\_\_\_

Role: read-only

Change Password:

New Password: \_\_\_\_\_

Confirm New Password: \_\_\_\_\_

Save Changes Reset Values Cancel



Refer to the screenshot in Exhibit 2. Which item is true about Boot Order in Cisco UCS -Series Rack Servers?

- A. Boot order configured in the BIOS will not be reflected in the Cisco IMC GUI.
- B. Boot options should not be disabled in the BIOS.
- C. The Boot Order set in the BIOS does not override the Cisco IMC.
- D. Boot Order should only be configured in the Cisco IMC GUI.

Correct Answer: A

[300-175 PDF Dumps](#)

[300-175 VCE Dumps](#)

[300-175 Braindumps](#)



To Read the [Whole Q&As](#), please purchase the [Complete Version](#) from [Our website](#).

## Try our product !

100% Guaranteed Success

100% Money Back Guarantee

365 Days Free Update

Instant Download After Purchase

24x7 Customer Support

Average 99.9% Success Rate

More than 800,000 Satisfied Customers Worldwide

Multi-Platform capabilities - [Windows](#), [Mac](#), [Android](#), [iPhone](#), [iPod](#), [iPad](#), [Kindle](#)

We provide exam PDF and VCE of Cisco, Microsoft, IBM, CompTIA, Oracle and other IT Certifications. You can view Vendor list of All Certification Exams offered:

<https://www.pass4lead.com/allproducts>

## Need Help

Please provide as much detail as possible so we can best assist you.

To update a previously submitted ticket:



 <p><b>One Year Free Update</b> Free update is available within One Year after your purchase. After One Year, you will get 50% discounts for updating. And we are proud to boast a 24/7 efficient Customer Support system via Email.</p>	 <p><b>Money Back Guarantee</b> To ensure that you are spending on quality products, we provide 100% money back guarantee for 30 days from the date of purchase.</p>	 <p><b>Security &amp; Privacy</b> We respect customer privacy. We use McAfee's security service to provide you with utmost security for your personal information &amp; peace of mind.</p>
---	---	--

Any charges made through this site will appear as Global Simulators Limited.

All trademarks are the property of their respective owners.

Copyright © pass4lead, All Rights Reserved.