

300-630^{Q&As}

Implementing Cisco Application Centric Infrastructure - Advanced
(DCACIA)

Pass Cisco 300-630 Exam with 100% Guarantee

Free Download Real Questions & Answers **PDF** and **VCE** file from:

<https://www.pass2lead.com/300-630.html>

100% Passing Guarantee
100% Money Back Assurance

Following Questions and Answers are all new published by Cisco
Official Exam Center

- ⚙️ **Instant Download** After Purchase
- ⚙️ **100% Money Back** Guarantee
- ⚙️ **365 Days** Free Update
- ⚙️ **800,000+** Satisfied Customers



QUESTION 1

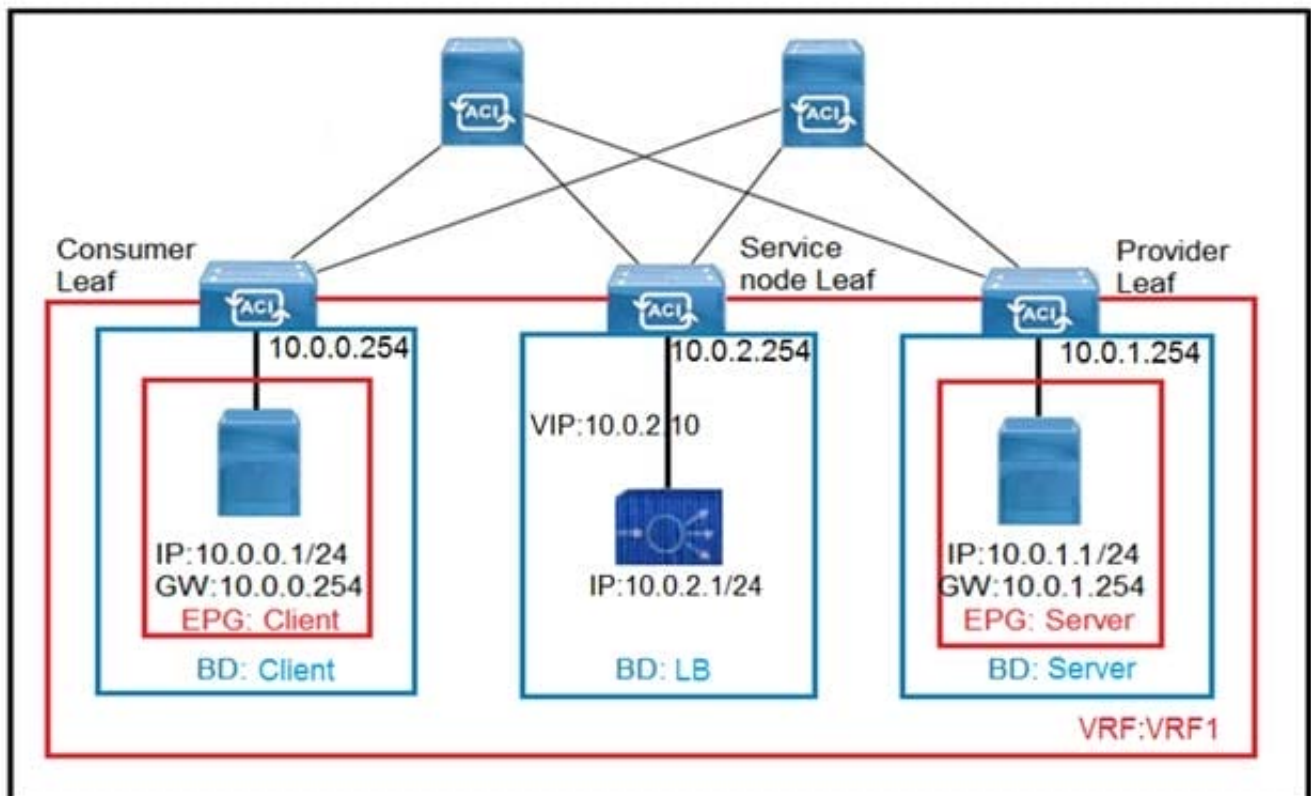
An existing Cisco ACI Multi-Site setup with default fabric settings contains endpoints that communicate with an MTU of 1500. What is the minimum MTU value that must be supported by the ISN to allow control plane endpoint information exchange between sites?

- A. 9000
- B. 1554
- C. 9100
- D. 1600

Correct Answer: C

Reference: <https://www.cisco.com/c/en/us/support/docs/cloud-systems-management/application-policy-infrastructure-controller-apic/214270-configure-aci-multi-site-deployment.html>

QUESTION 2



Refer to the exhibit. The client endpoint uses the load-balancer VIP as the destination address to send traffic to the server endpoint. If the load balancer does not do source NAT, which set of configurations must be applied on Cisco ACI to allow only the return traffic to be redirected to the service node?

- A. 1. Create a contract with a filter matching "IP" only

2.

Create a L4-L7 device, function type "GoTo"

3.

Create a L4-L7 Policy-Based Redirect Policy with the L3 Destination set to the load-balancer inside IP/MAC

4.

Create a service graph template that references the previously created contract and L4-L7 device

5.

Apply the service graph template. Select "L3 Destination" and reference L4-L7 Policy-Based Redirect Policy on the provider connector only

B. 1. Create a contract linked to the common/default filter

2.

Create a L4-L7 device, function type "GoThrough"

3.

Create a L4-L7 Policy-Based Redirect Policy with the L3 Destination set to the load-balancer inside IP/MAC

4.

Create a service graph template that references the previously created contract and L4-L7 device

5.

Apply the service graph template. Select "L3 Destination" and reference L4-L7 Policy-Based Redirect Policy on the consumer and provider connector

C. 1. Create a contract linked to the common/default filter

2.

Create a L4-L7 device, function type "GoTo"

3.

Create a L4-L7 Policy-Based Redirect Policy with "Anycast Endpoint" enabled and the L3 Destination set to the load-balancer inside IP/MAC

4.

Create a service graph template that references the previously created contract and L4-L7 device

5.

Apply the service graph template. Select "L3 Destination" and reference L4-L7 Policy-Based Redirect Policy on the consumer connector only

D. 1. Create a contract with a filter matching "IP" only

2.

Create a L4-L7 device, function type "GoThrough"

3.

Create a L4-L7 Policy-Based Redirect Policy with "Anycast Endpoint" enabled and the L3 Destination set to the load-balancer inside IP/MAC

4.

Create a service graph template that references the previously created contract and L4-L7 device

5.

Apply the service graph template. Select "L3 Destination" and reference L4-L7 Policy-Based Redirect Policy on the consumer and provider

Correct Answer: D

QUESTION 3

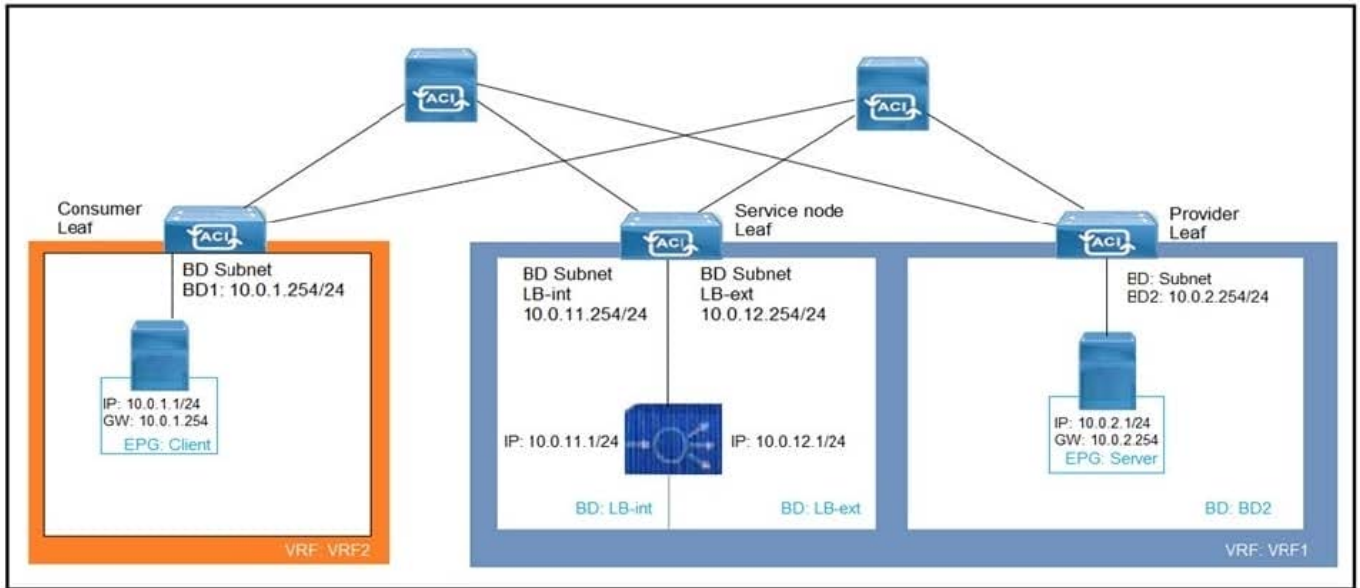
What are two characteristics of Cisco ACI and Spanning Tree Protocol interaction? (Choose two.)

- A. When a TCN BPDU is received in a VLAN, Cisco ACI flushes the endpoints for the associated encapsulation.
- B. STP BPDUs are dropped due to MCP.
- C. MST BPDUs are flooded correctly in Cisco ACI fabric without additional configuration.
- D. BPDU filter and BPDU guard can be configured on Cisco ACI leaf edge ports.
- E. Cisco ACI must be configured as the STP root for all VLANs.

Correct Answer: DE

Reference: https://www.cisco.com/c/en/us/td/docs/switches/datacenter/aci/aci_virtual_edge/configuration/1-x/b_Virtual_Edge_Config_Guide_1_2_2/b_Virtual_Edge_Config_Guide_1_2_2_chapter_0101.html

QUESTION 4

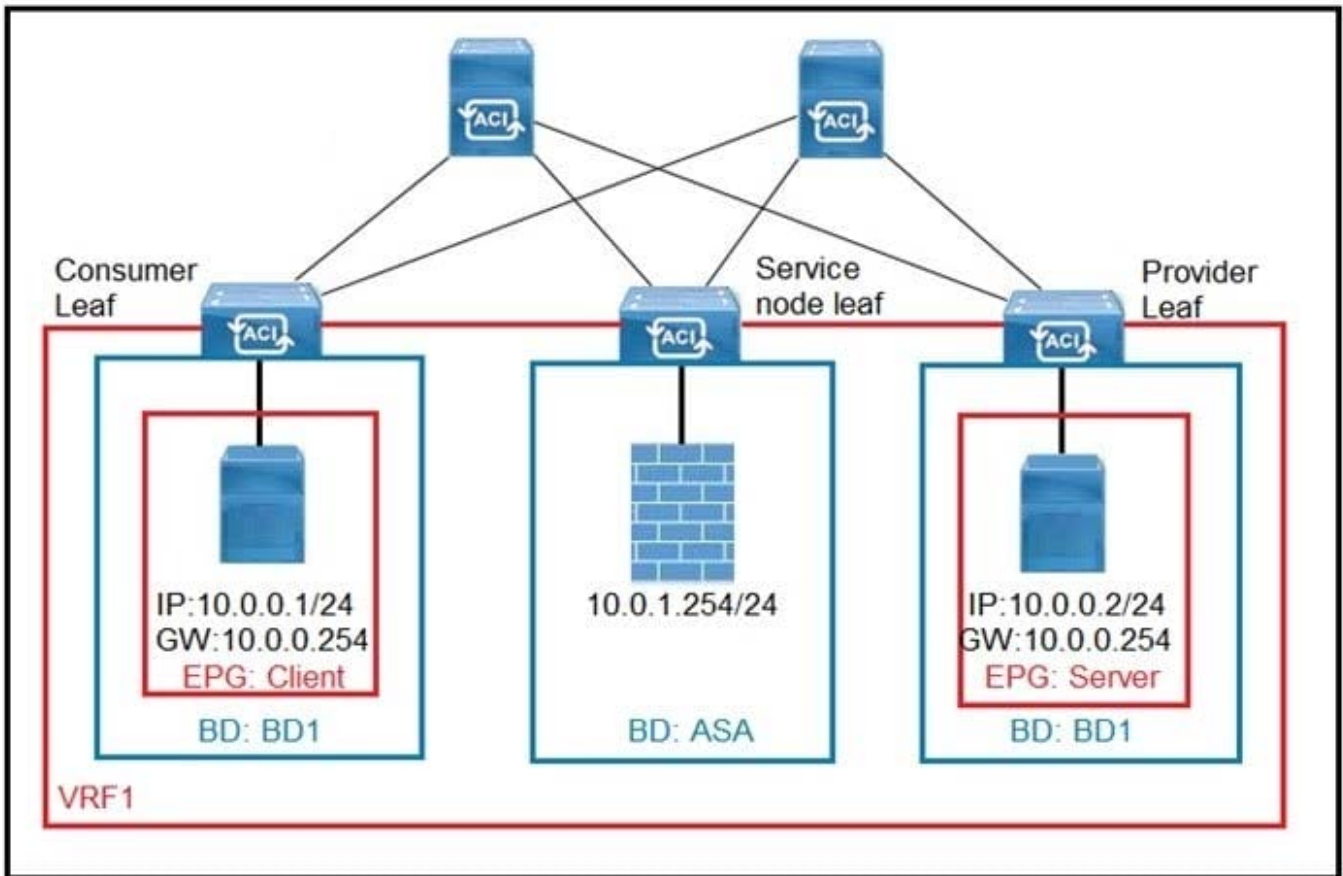


Refer to the exhibit. What must be configured to allow the PBR node (LB-int) to monitor the availability of the endpoint that is in the EPG server?

- A. Endpoint Dataplane Learning
- B. Unicast Route disabled for client and server bridge domains
- C. PBR node tracking
- D. Direct Connect in the service graph template

Correct Answer: A

QUESTION 5



Refer to the exhibit. What must be configured in the service graph to redirect HTTP traffic between the EPG client and EPG server to go through the Cisco ASA firewall?

- A. contract filter to allow ARP and HTTP
- B. precise filter to allow only HTTP traffic
- C. contract with no filter
- D. permit-all contract filter

Correct Answer: A

[300-630 PDF Dumps](#)

[300-630 VCE Dumps](#)

[300-630 Exam Questions](#)