

300-915^{Q&As}

Developing Solutions using Cisco IoT and Edge Platforms (DEVIOT)

Pass Cisco 300-915 Exam with 100% Guarantee

Free Download Real Questions & Answers **PDF** and **VCE** file from:

<https://www.pass2lead.com/300-915.html>

100% Passing Guarantee
100% Money Back Assurance

Following Questions and Answers are all new published by Cisco
Official Exam Center

- ⚙️ **Instant Download** After Purchase
- ⚙️ **100% Money Back** Guarantee
- ⚙️ **365 Days** Free Update
- ⚙️ **800,000+** Satisfied Customers



QUESTION 1

Which two data sources are used with a visualization tool such as Grafana? (Choose two.)

- A. Microsoft Power BI
- B. Kibana
- C. InfluxDB
- D. Elasticsearch
- E. Tableau

Correct Answer: CD

QUESTION 2

Which connector is southbound?

- A. horizontal connector
- B. cloud connector
- C. device connector
- D. universal connector

Correct Answer: C

QUESTION 3

Which command is used to package a Docker-style Cisco IOx app using ioxclient?

- A. ioxclient docker create helloworld:1.0.
- B. ioxclient docker-app helloworld:1.0.
- C. ioxclient docker package helloworld:1.0.
- D. ioxclient docker helloworld:1.0.

Correct Answer: C

QUESTION 4

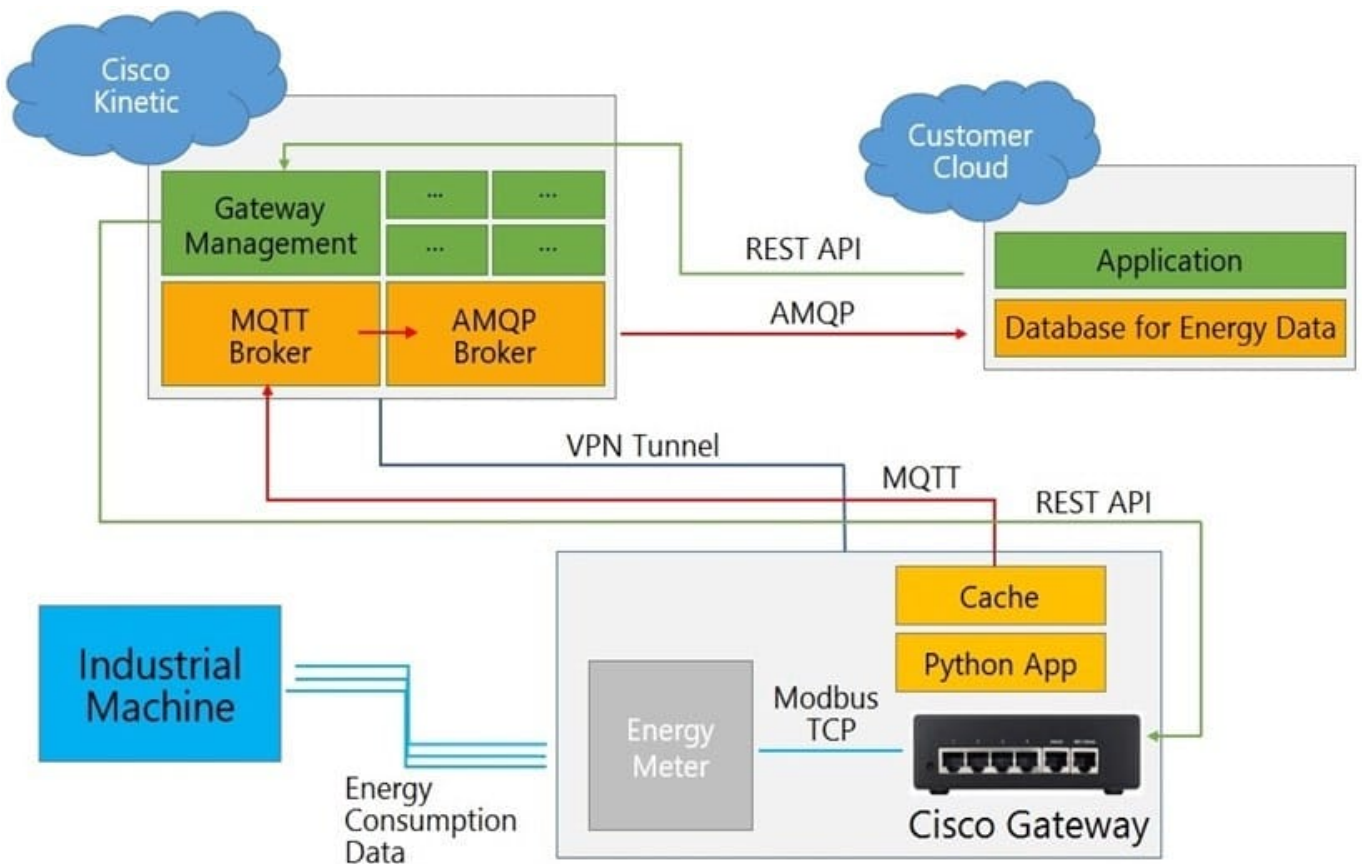
When trying to subscribe to an MQTT broker on the internet, the MQTT client is on a private subnet and must be NATed to reach the public broker.

What is the expected outcome when this configuration is in place?

- A. The client periodically reconnects to the default gateway.
- B. The client connects only once using the PENDING message to the broker.
- C. The client periodically reconnects to the broker over the NAT connection.
- D. The client connects only once using the CONNECT message to the broker.

Correct Answer: D

QUESTION 5



Refer to the exhibit. Which two statements about data flow are true? (Choose two.)

- A. Another AMQP broker should be implemented on the customer cloud.
- B. Instead of AMQP, MQTT should be used for compatibility issues in a cloud-to-cloud connection.
- C. A VPN tunnel is not necessary because the MQTT payload is encrypted by default.
- D. The gateway must stay constantly connected to the Kinetic cloud to avoid blank data sets, even when using caching functions.
- E. The Python application could use the paho-mqtt library.

Correct Answer: BE

[Latest 300-915 Dumps](#)

[300-915 PDF Dumps](#)

[300-915 VCE Dumps](#)