

# 352-011<sup>Q&As</sup>

Cisco Certified Design Expert Practical

## Pass Cisco 352-011 Exam with 100% Guarantee

Free Download Real Questions & Answers **PDF** and **VCE** file from:

<https://www.pass2lead.com/352-011.html>

100% Passing Guarantee  
100% Money Back Assurance

Following Questions and Answers are all new published by Cisco  
Official Exam Center

-  **Instant Download** After Purchase
-  **100% Money Back** Guarantee
-  **365 Days** Free Update
-  **800,000+** Satisfied Customers



### QUESTION 1

You are redesigning a single-level IS-IS network with 500 routers, which have short-haul and long-haul links. Most of the time the routing domain is stable, but periodically interfaces on long-haul links bounce for a short period of time, causing 10 to 20 flaps in a few minutes. The probable cause is local road construction. Although fast convergence is important, the client has concerns about taxing CPU cycles on the older routing platforms. What change should you recommend that both protects the CPU of the older routers during the short periods of excessive flapping, yet does not have an impact on fast convergence for all interface failures?

- A. Modify hello timers on routers with short-haul links
- B. Implement LSP generation throttling on routers with long-haul links
- C. Modify the length of time that an LSP remains in the router database without being refreshed on all routers
- D. Implement a delay between successive IS-IS LSP packet transmissions on routers with long-haul links

Correct Answer: D

---

### QUESTION 2

Which mechanism should be added to a network design to identify unidirectional Spanning Tree Protocol failures through BPDU loss?

- A. Root guard
- B. BPDU guard
- C. Loop guard
- D. UDLD

Correct Answer: C

---

### QUESTION 3

Company ABC grew organically and now their single-area OSPF network has an unacceptably slow convergence time after a topology change. To address the slow convergence time, they want to introduce a multiarea OSPF design and implement address summarization at the area border routers, which option should be their main concern about this redesign?

- A. Routing is suboptimal
- B. SPF calculation takes longer
- C. Operations complexity is increased
- D. More memory is needed across the routers on the network

Correct Answer: A

---

**QUESTION 4**

A Company has these requirements for access to their wireless and wired corporate LANs using 802.1x

Clients devices that corporate assets and have joined the active directory domain are allowed access

Personal devices must be not allowed access

Clients and access servers must be mutually authenticated.

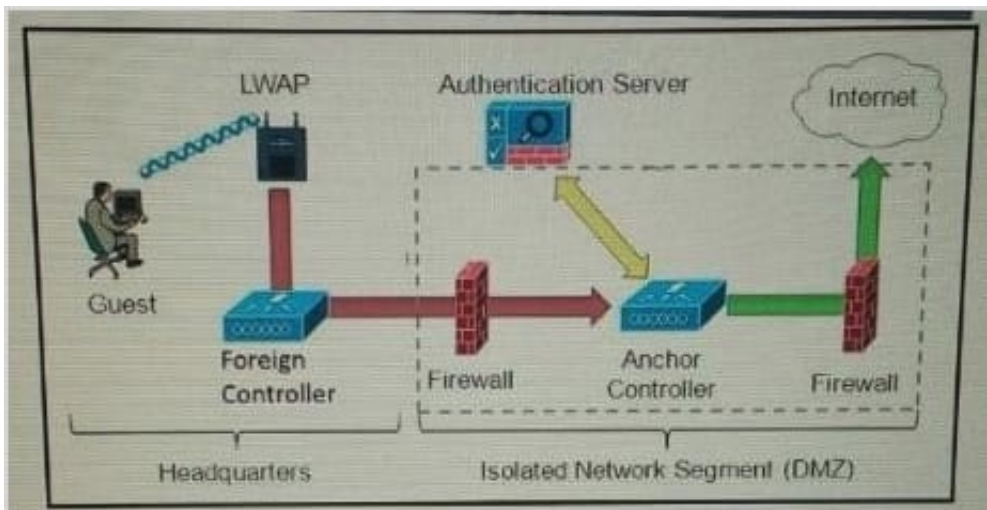
Which solution meets these requirements?

- A. Protected EAP/Microsoft CHAP v2 with user authentication
- B. EAP-TLS with machine authentication
- C. EAP-TLS with user authentication
- D. Protected EAP/Microsoft CHAP v2 with Machine authentication

Correct Answer: B

**QUESTION 5**

Refer to the exhibit.



Which solution must be used to send traffic from the foreign wireless LAN controller to the anchor wireless LAN controller?

- A. Encapsulate packets into an EoIP tunnel and send them to the anchor controller
- B. Send packets from the foreign controller to the anchor controller via Layer 3 MPLS VPN or VRF-Lite
- C. Send packets from the foreign controller to the anchor controller via IPinIP or IPsec tunnel

D. Send packets without encapsulation to the anchor controller over the routed network

Correct Answer: A

[352-011 PDF Dumps](#)

[352-011 Practice Test](#)

[352-011 Braindumps](#)