

# 3V0-624<sup>Q&As</sup>

VMware Certified Advanced Professional 6.5 – Data Center  
Virtualization Design Exam

## Pass VMware 3V0-624 Exam with 100% Guarantee

Free Download Real Questions & Answers **PDF** and **VCE** file from:

<https://www.pass2lead.com/3v0-624.html>

100% Passing Guarantee  
100% Money Back Assurance

Following Questions and Answers are all new published by VMware  
Official Exam Center

- ⚙️ **Instant Download** After Purchase
- ⚙️ **100% Money Back** Guarantee
- ⚙️ **365 Days** Free Update
- ⚙️ **800,000+** Satisfied Customers



### QUESTION 1

A customer wants to improve the performance of its vMotion migrations. The current configuration has only one VMkernel port group for vMotion using vmnic3. The customer has vmnic5 available for use. What change can be made to increase vMotion performance?

- A. \* Add vmnic5 to the vMotion Port Group as an active uplink.
- \* Create a second vMotion Port Group with vmnic5 as an active uplink and vmnic3 as an active uplink.
- B. \* Add vmnic5 to the vMotion Port Group as a standby uplink.
- \* Do not create a second vMotion Port Group.
- C. \* Add vmnicS to the vMotion Port Group as a standby uplink.
- \* Create a second vMotion Port Group with vmnicS as an active uplink and vmnic3 as a standby uplink.
- D. \* Add vmnic5 to the vMotion Port Group as an active uplink.
- \* Do not create a second vMotion Port Group.

Correct Answer: D

---

### QUESTION 2

A company is designing a new vSphere cluster to support a mission-critical application.

1.  
The application requires 100% availability and cannot be restarted to recover from an ESXi host failure.
2.  
The application consists of a group of 16 virtual machines, each with 8 vCPU configured.

Which solution satisfies the availability requirements?

- A. Guest OS-based software clustering
- B. vSphere High Availability
- C. vSphere High Availability Application Monitoring
- D. vSphere Fault Tolerance
- E. vSphere Site Recovery Manager

Correct Answer: A

As mentioned, fault tolerance doesn't support 8 x vCPUs in 6.5 and no other technology listed can ensure 100% up-time except some other application / OS method (i.e. Windows Failover Cluster).

1.

FT doesn't support 8 vCPU!

2.

vSphere Standard and Enterprise. Allows up to 2 vCPUs

3.

vSphere Enterprise Plus. Allows up to 4 vCPUs

<https://docs.vmware.com/en/VMware-vSphere/6.5/com.vmware.vsphere.avail.doc/GUID-57929CF0-DA9B-407A-BF2E-E7B72708D825.html>

---

### QUESTION 3

DRS/HA cluster services depend on which two resources? (Choose two.)

- A. Management network
- B. vMotion network
- C. Network Time Protocol
- D. Domain Name Services

Correct Answer: AB

---

### QUESTION 4

Customer Requirements:

You have been tasked with creating a vSphere 6.5 data center design for an organization. The organization has produced two 24 port FC switches, and Asymmetrical Active/Active storage array (2 storage Processors with 4 ports each) and 22 ESXi Hosts with 2 dual port HBAs in each. Due to budgetary constraints, the organization cannot purchase anymore equipment. They have provided the following requirements:

- The existing Fibre Channel (FC) Asymmetrical Active/Active Array and FC switches must be used.
  - No single point of failure to any datastore.
  - Configuration must provide failover and load balancing.
  - The customer requires a solution that will accommodate virtual machines with three different I/O load requirements:
    - Static web virtual machines
    - Critical application virtual machines.
    - Object storage for their database virtual machines.
-

Design Requirements:

Create a logical design that be applied to each of the ESXi Hosts. The design should meet, but not exceed the customer's requirements and should include:

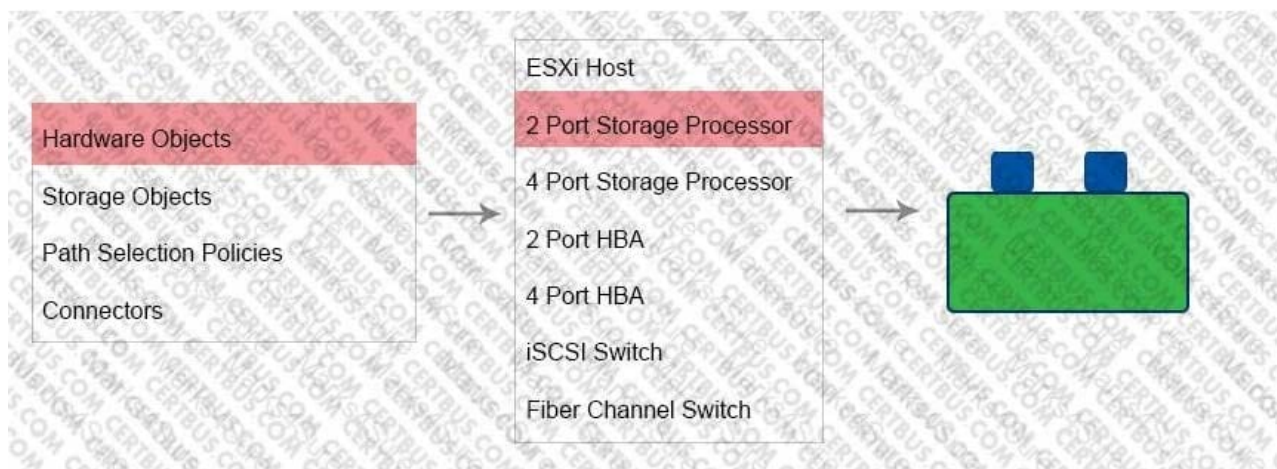
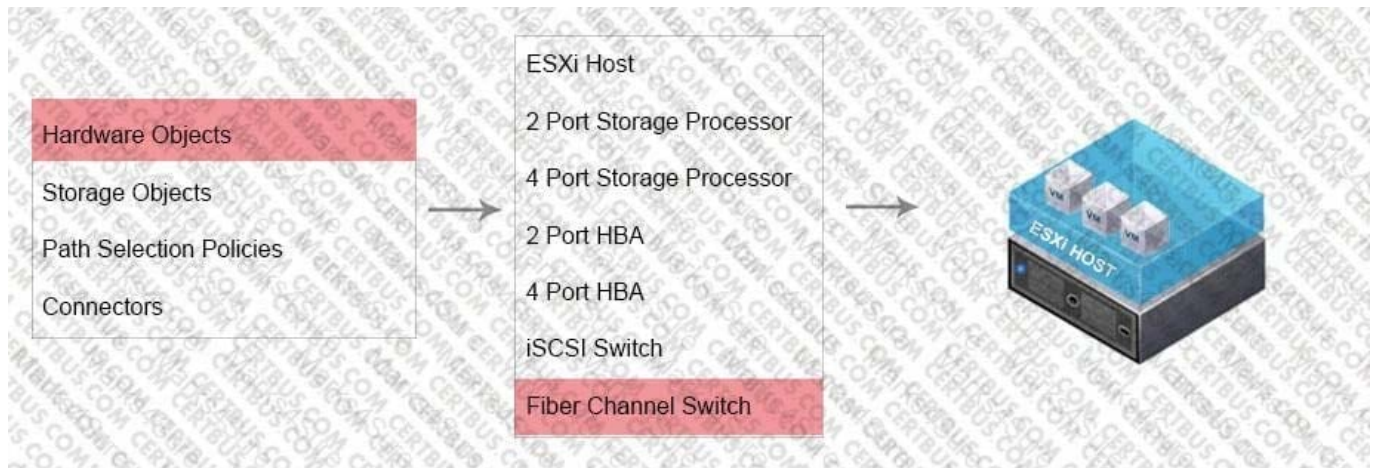
- 
- All required hardware
- 
- All required resources

A.

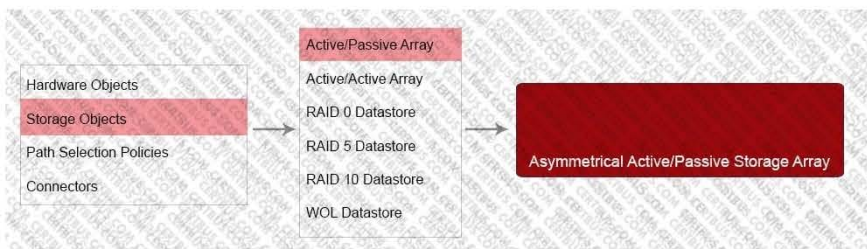
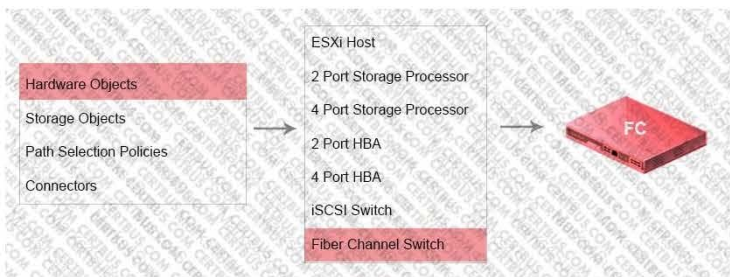
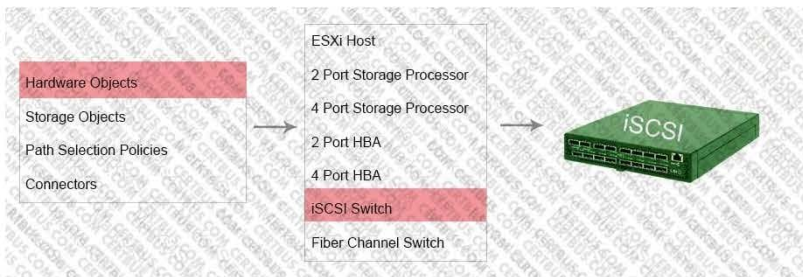
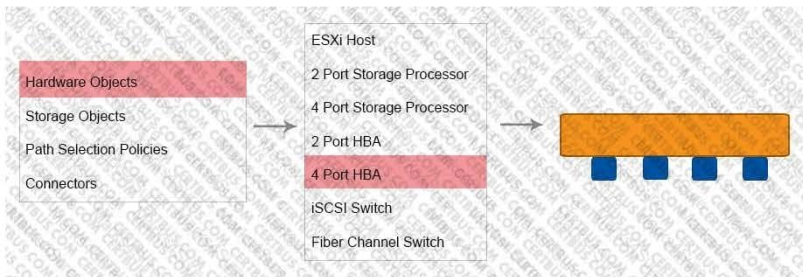
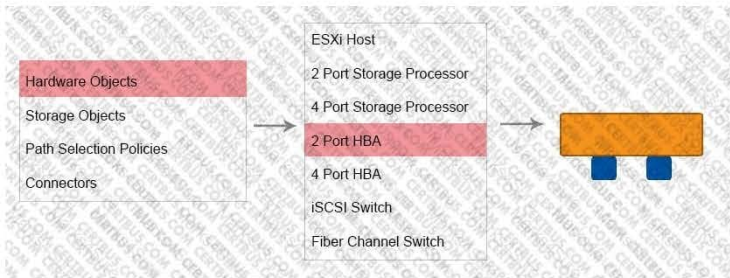
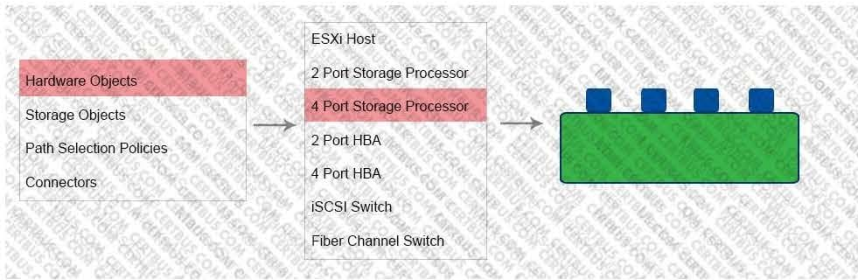
Check the answer in explanation.

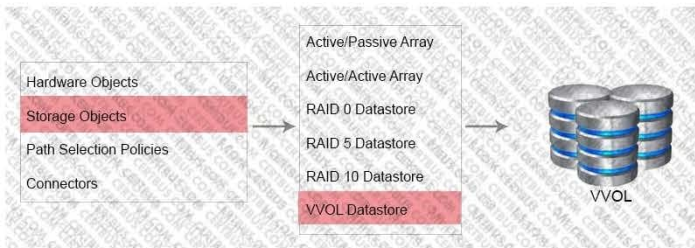
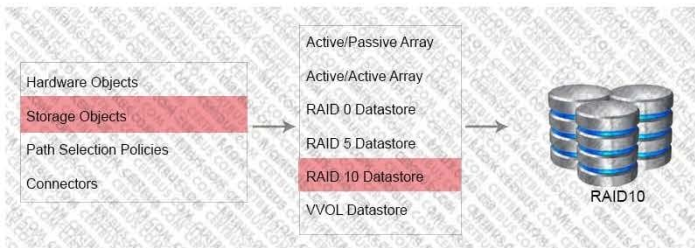
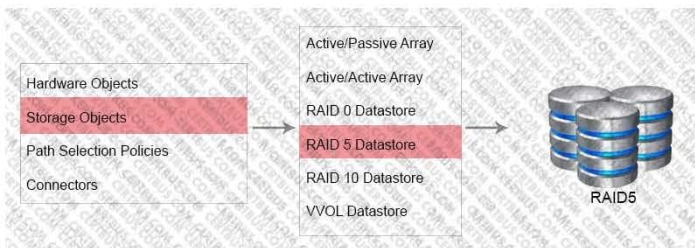
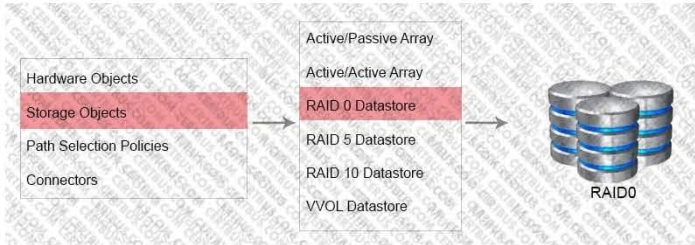
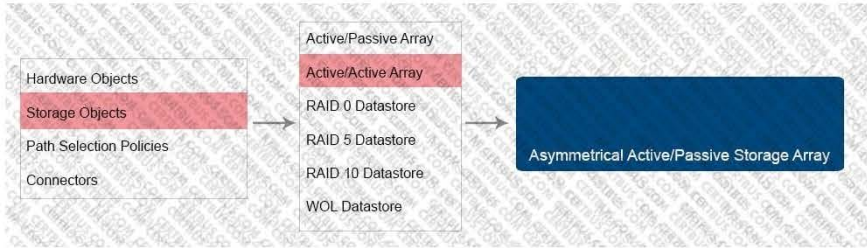
Correct Answer: A

Place the required datastore(s) in the storage array(s). Connect the storage processor(s) to the storage array(s). Connect the switch(es) to the storage processor(s) and HBA(s). Connect the ESXi host to the HBA(s) and Path Selection Policies.

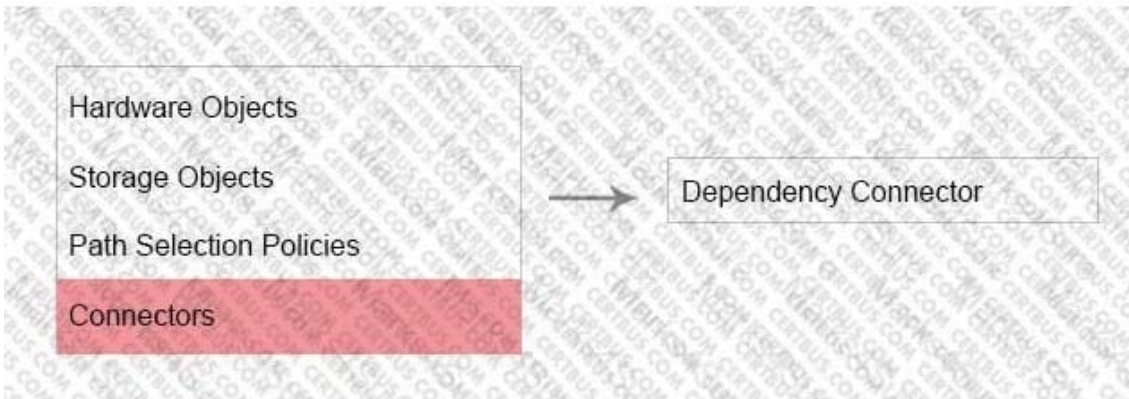




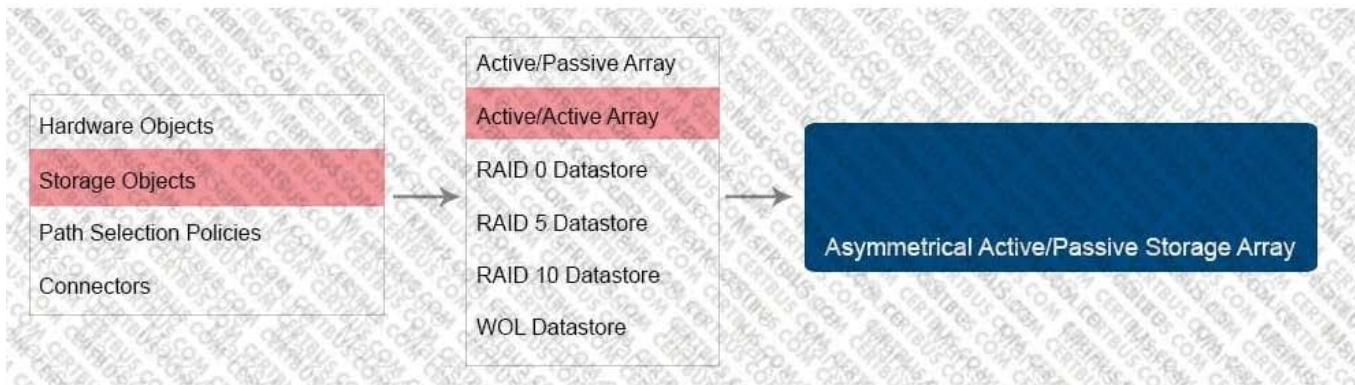
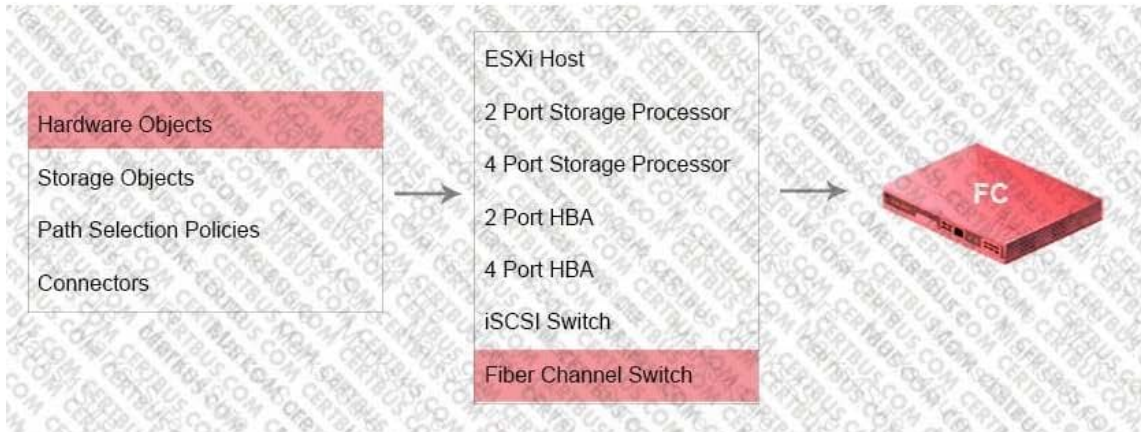
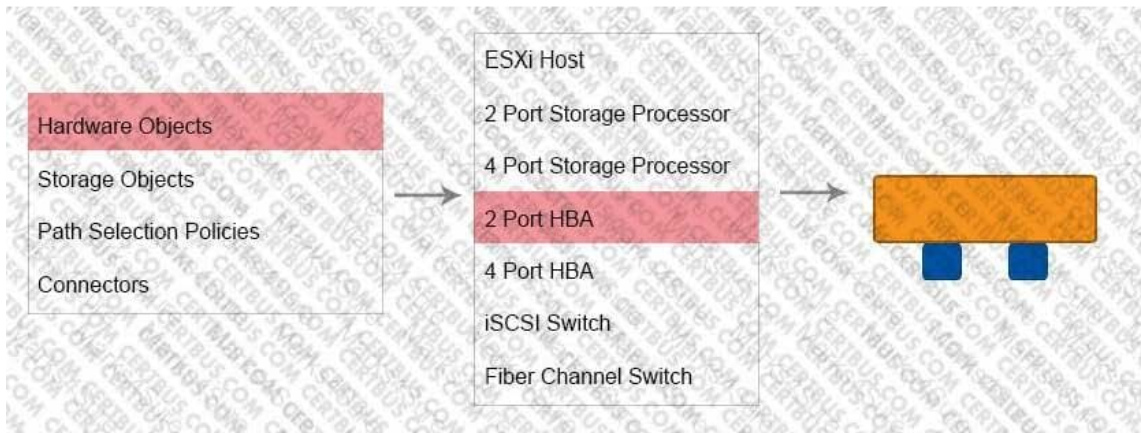
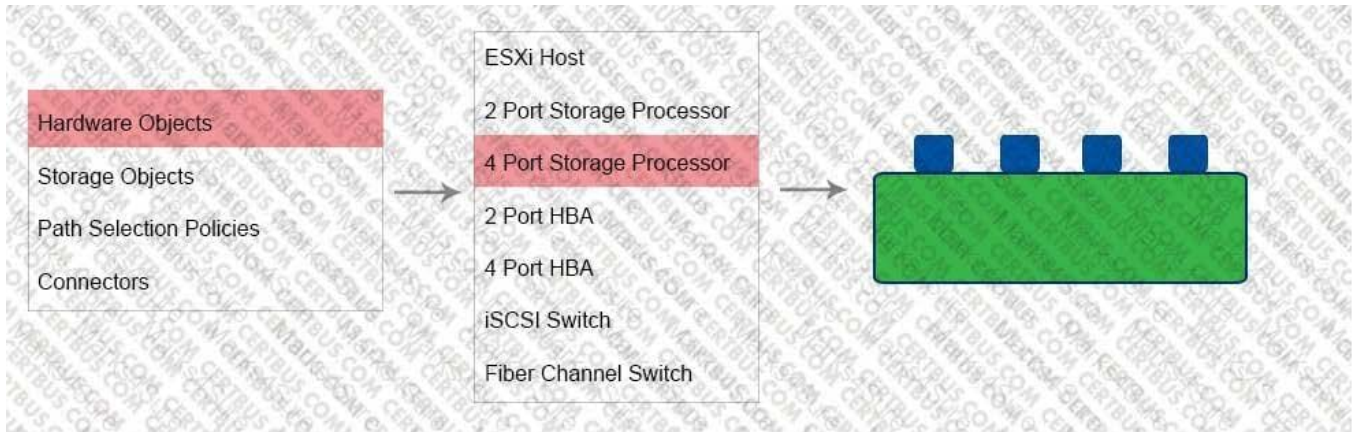




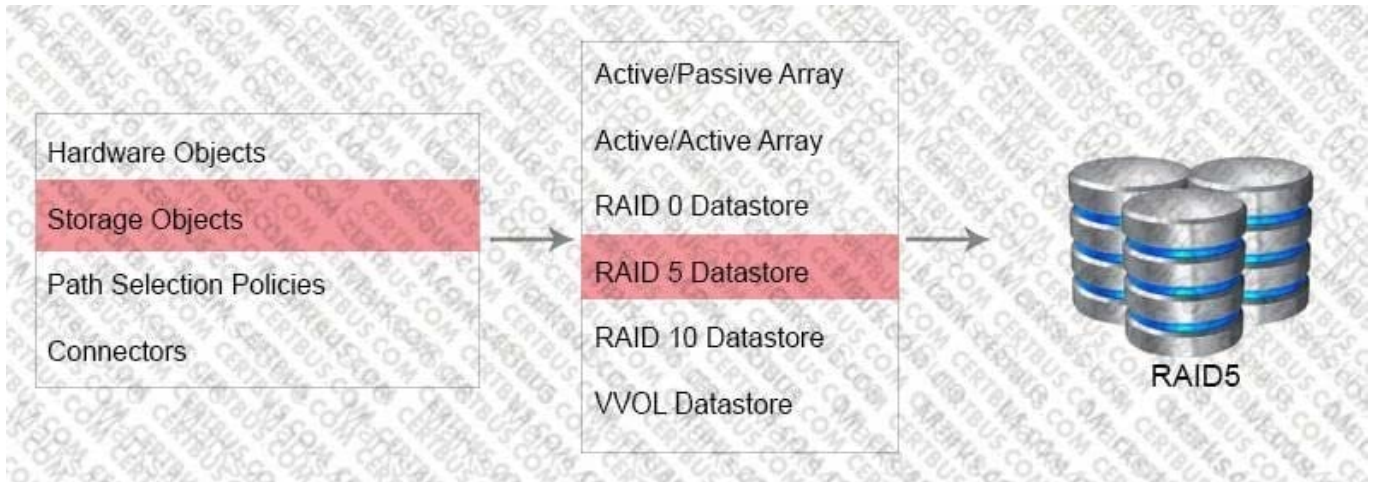




Check below for answer solution:







**QUESTION 5**

A university is going through an IT transformation project and is re-evaluating how to use technology to provide a better academic experience for its 15,000 students. The university is a current VMware customer and has a single data center.

1.  
Within that data center, they are using blade servers backed by a Fibre Channel array for its business critical applications, and two iSCSI arrays (one for the development environment and one for the non-critical production environment).
- 2.

Its VMware environment consists of three clusters. The first cluster contains all development virtual machines, the second cluster is dedicated to DMZ virtual machines (VMs), and the final cluster contains production VMs.

3.

The university requires the ability to perform hardware maintenance without a service interruption, and can sustain only 4 minutes of downtime per month.

From the list below, which two are non-functional requirements? (Choose two.)

- A. Projected growth has been calculated by reviewing the last five years of actual growth.
- B. Provide for N+1 redundancy to support the environment during the maintenance window.
- C. There is sufficient power and cooling in the current data center.
- D. 99.99% uptime for the environment.
- E. The WAN provider meets their SLA.

Correct Answer: BD

[Latest 3V0-624 Dumps](#)

[3V0-624 PDF Dumps](#)

[3V0-624 Exam Questions](#)