

# 4A0-101<sup>Q&As</sup>

Alcatel-Lucent Interior Routing Protocols and High Availability

## Pass Alcatel-Lucent 4A0-101 Exam with 100% Guarantee

Free Download Real Questions & Answers **PDF** and **VCE** file from:

<https://www.pass2lead.com/4a0-101.html>

100% Passing Guarantee  
100% Money Back Assurance

Following Questions and Answers are all new published by Alcatel-Lucent Official Exam Center

- ⚙️ **Instant Download** After Purchase
- ⚙️ **100% Money Back** Guarantee
- ⚙️ **365 Days** Free Update
- ⚙️ **800,000+** Satisfied Customers



**QUESTION 1**

An OSPF ASBR must have at least one interface in the backbone area (area 0)

- A. True
- B. False

Correct Answer: B

---

**QUESTION 2**

Which part of the NSAP address is used to indicate to the end system that a packet is to be processed by the router itself?

- A. AFI
- B. IDI
- C. HO-DSP
- D. NSEL

Correct Answer: D

---

**QUESTION 3**

Which of the following best describes the type of packets used by OSPF routers to exchange updates on a point-to-point link?

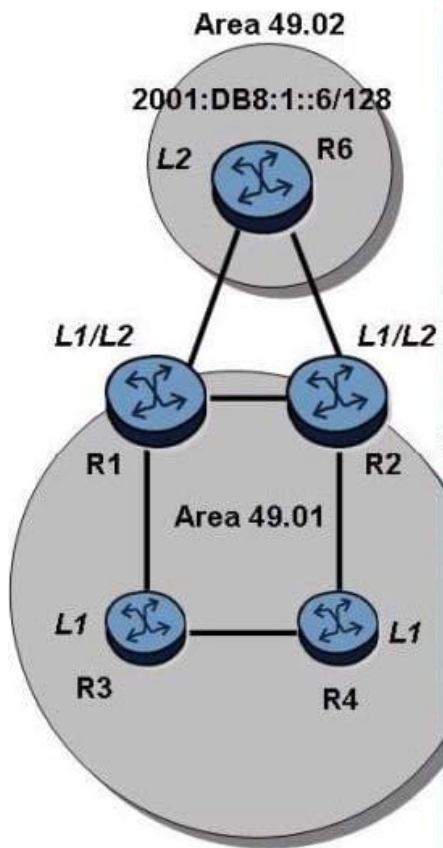
- A. IP packets sent to an IP multicast address.
- B. TCP packets sent to an IP multicast address.
- C. IP packets sent to an IP unicast address.
- D. UDP packets sent to an IP multicast address.

Correct Answer: A

---

**QUESTION 4**

Click on the exhibit.



```
*A:R3# show router route-table ipv6
-----
IPv6 Route Table (Router: Base)
-----
Dest Prefix[Flags]                                Type  Proto  Age           Pref
  Next Hop[Interface Name]                        Metric
-----
::/0                                               Remote ISIS  00h18m06s    15
  FE80::624F:1FF:FE01:3-"toR1"                    100
2001:DB8:1::3/128                                  Local  Local  00h24m03s    0
  system                                             0
2001:DB8:1::4/128                                  Remote ISIS  00h16m56s    15
  FE80::6252:FFFF:FE00:141-"toR4"                  50
2001:DB8:1::6/128                                  Remote ISIS  00h12m01s    15
  FE80::624F:1FF:FE01:3-"toR1"                    200
-----
No. of Routes: 4

*A:R4# show router route-table ipv6
-----
IPv6 Route Table (Router: Base)
-----
Dest Prefix[Flags]                                Type  Proto  Age           Pref
  Next Hop[Interface Name]                        Metric
-----
::/0                                               Remote ISIS  00h17m12s    15
  FE80::6250:1FF:FE01:3-"toR2"                    100
2001:DB8:1::3/128                                  Remote ISIS  00h17m03s    15
  FE80::6251:FFFF:FE00:141-"toR3"                  50
2001:DB8:1::4/128                                  Local  Local  00h23m44s    0
  system                                             0
2001:DB8:1::6/128                                  Remote ISIS  00h00m12s    15
  FE80::6250:1FF:FE01:3-"toR2"                    200
-----
No. of Routes: 4
```

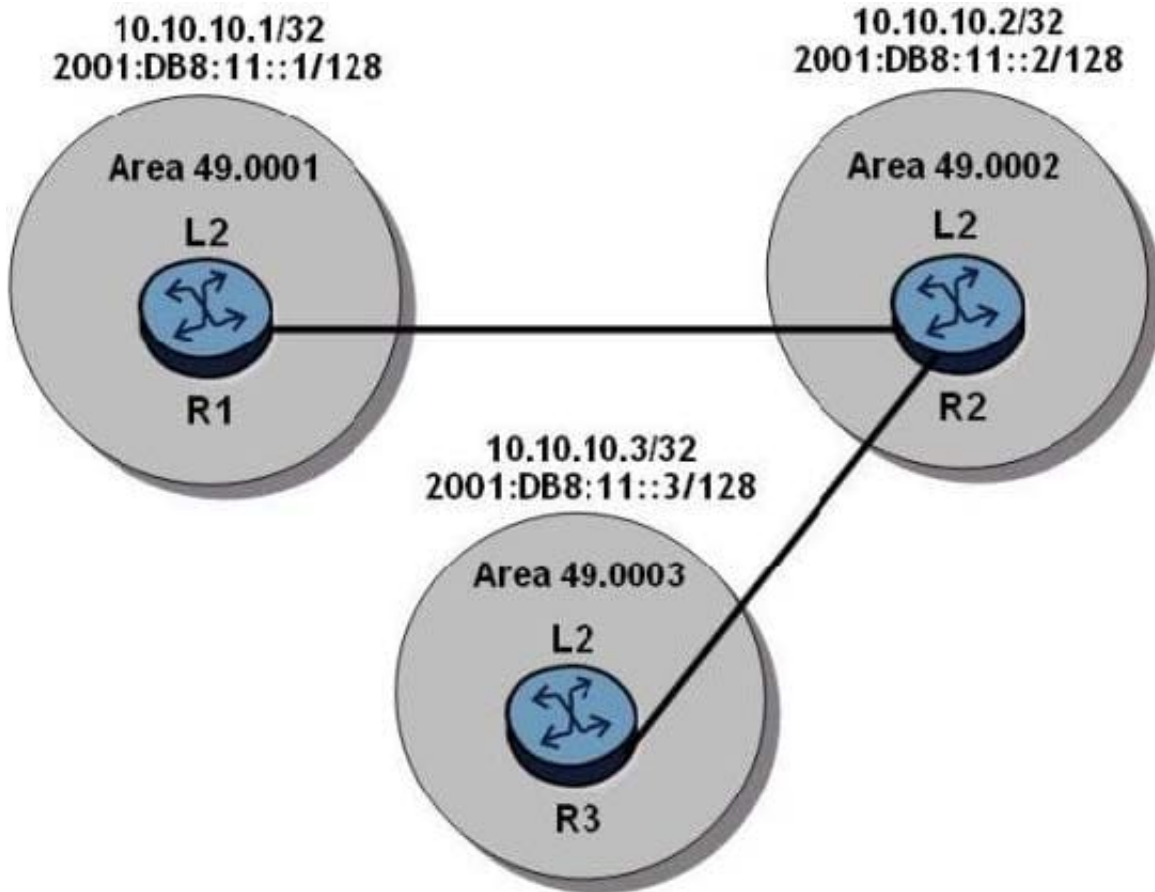
Based on the topology shown and the route tables of routers R3 and R4, which of the following is correct?

- A. There is no route leaking configured on router R1 or router R2.
- B. Route leaking is configured on router R1 but not on router R2.
- C. Route leaking is configured on router R2 but not on router R1.
- D. Route leaking is configured on both router R1 and router R2.

Correct Answer: D

**QUESTION 5**

Click on the exhibit.



The routers have an established IS-IS L2 adjacency on which IPv4 system addresses are exchanged. An operator successfully configures multi-topology IS-IS routing so that the IPv6 system addresses are also exchanged between routers. After IPv6 has been configured, which of the following is TRUE?

- A. Router R2 has two IS-IS-adjacencies and two LSPs.
- B. Router R2 has two IS-IS-adjacencies and four LSPs.
- C. Router R2 has two IS-IS-adjacencies and three LSPs.
- D. Router R2 has four IS-IS-adjacencies and six LSPs.

Correct Answer: C

[4A0-101 VCE Dumps](#)

[4A0-101 Practice Test](#)

[4A0-101 Braindumps](#)