

4A0-106^{Q&As}

Alcatel-Lucent Virtual Private Routed Networks

Pass Alcatel-Lucent 4A0-106 Exam with 100% Guarantee

Free Download Real Questions & Answers **PDF** and **VCE** file from:

<https://www.pass2lead.com/4a0-106.html>

100% Passing Guarantee
100% Money Back Assurance

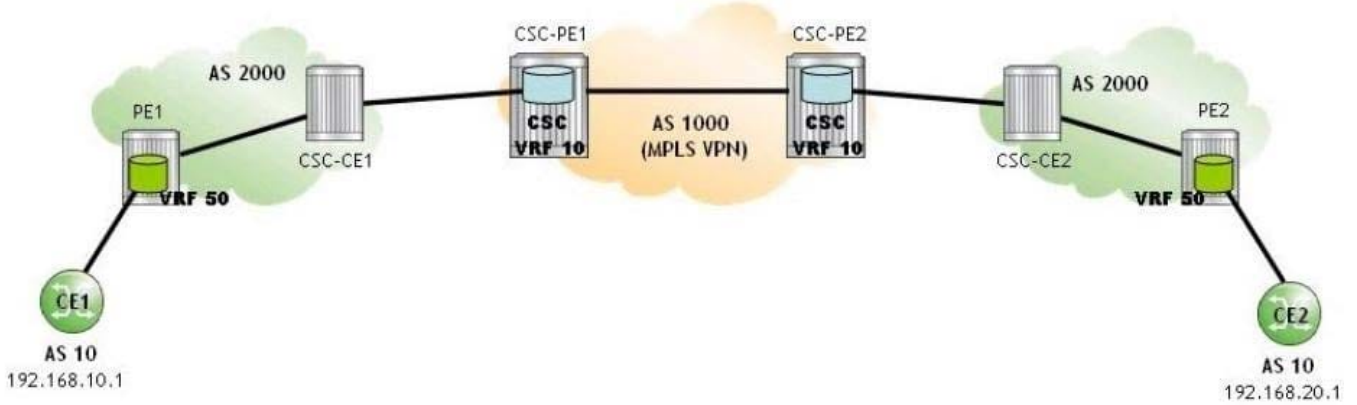
Following Questions and Answers are all new published by Alcatel-Lucent Official Exam Center

- ⚙️ **Instant Download** After Purchase
- ⚙️ **100% Money Back** Guarantee
- ⚙️ **365 Days** Free Update
- ⚙️ **800,000+** Satisfied Customers



QUESTION 1

Click the exhibit.



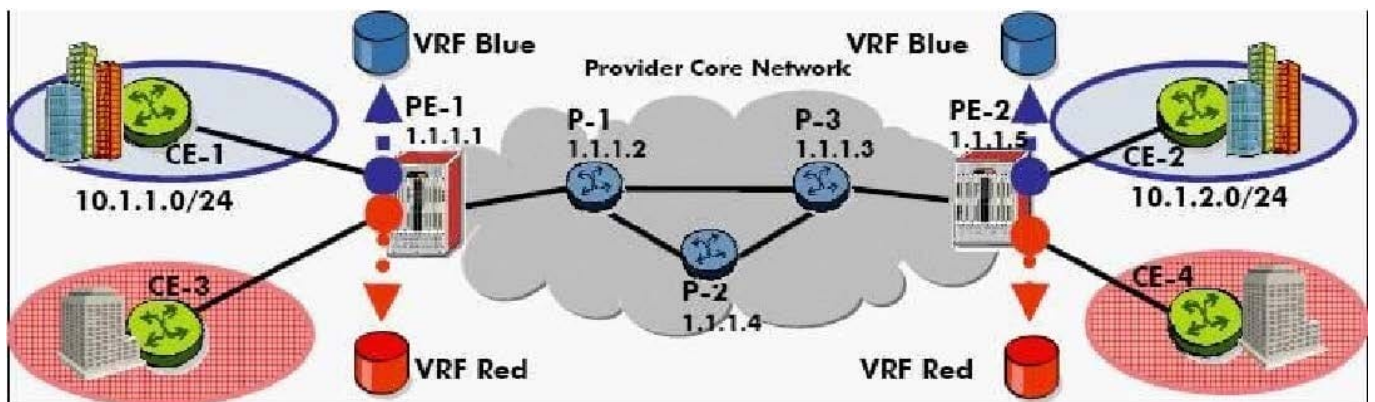
A Carrier Supporting Carrier (CSC) VPRN is configured for a customer carrier who is a BGP/MPLS service provider. Which of the following describes the routes present in PE1's global routing table?

- A. The system address of PE2 is present. The system addresses of CSC-PE1 and CSC-PE2 are not present.
- B. The system addresses of PE2, CSC-PE1 and CSC-PE2 are all present.
- C. The system address of CSC-CE1, the route 192.168.10.1, and the route 192.168.20.1 are all present.
- D. The system address of PE2 and the route 192.168.20.1 are present.

Correct Answer: A

QUESTION 2

Which of the following commands on an Alcatel-Lucent 7750 SR will verify connectivity for a VPRN service when issued from the PE?



- A. oam vprn-ping source destination
- B. oam vprn-ping source destination

C. vprn-ping router

D. Ping source

Correct Answer: A

QUESTION 3

Which of the following about BGP loops in a VPRN environment is FALSE?

A. Traditional BGP loop detection mechanisms may detect a loop in the VPRN scenario, which in fact is not present.

B. The Alcatel-Lucent 7750 SR accepts routes containing AS_PATH loops by default.

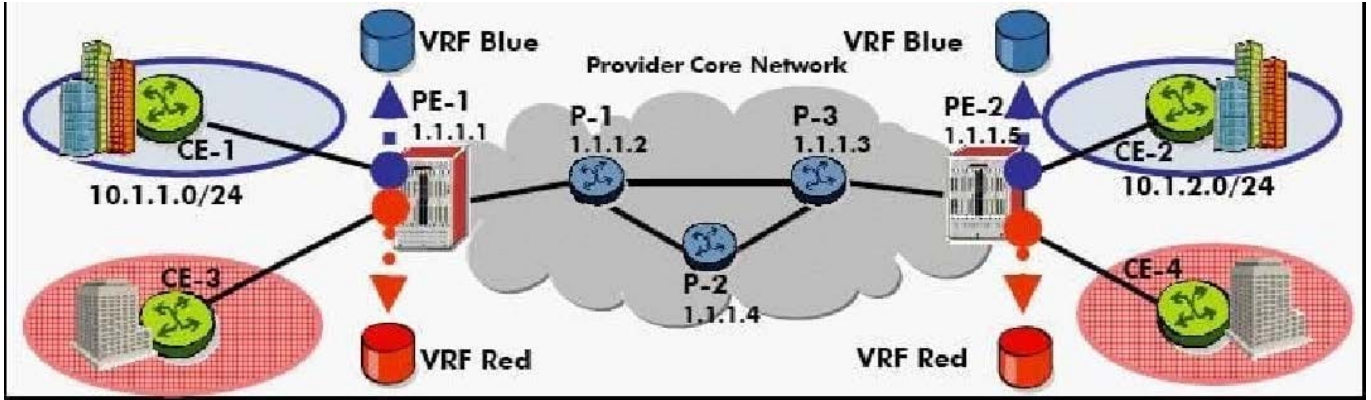
C. When the CLI command "config>router>bgp# loop-detect discard-route" is used, the Alcatel-Lucent 7750 SR sends a notification to the remote peer and drops the BGP session.

D. In VPRN implementations where the CE-PE protocol is BGP, it is possible for separate sites of the same customer to use the same BGP autonomous system number.

Correct Answer: C

QUESTION 4

When configuring the CE with the selected CE-PE routing protocol on an Alcatel-Lucent 7750 SR, which of the following statements is true? (Choose three.)



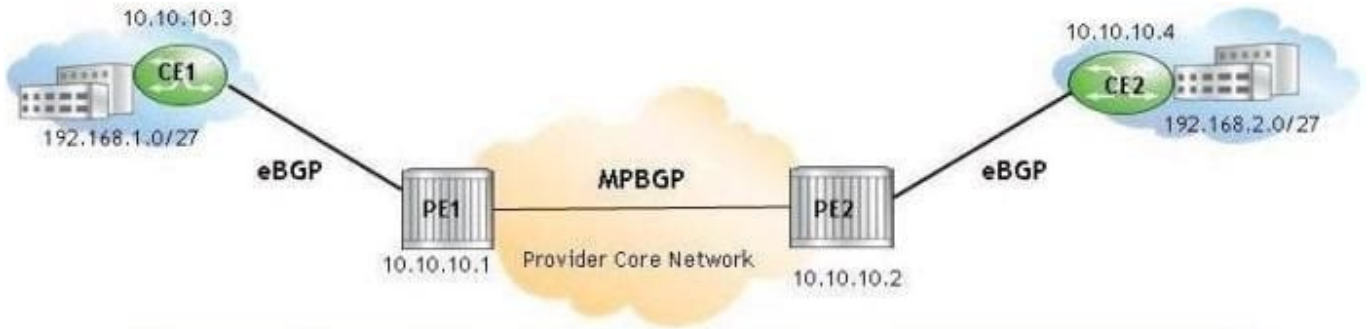
```
PE-1>config>service# VPRN 20 customer 101 create
PE-1>config>service>VPRN$ description "VPRN Service"
PE-1>config>service>VPRN$ route-distinguisher 65100:101
PE-1>config>service>VPRN$ vrf-target target:65100:101
PE-1>config>service>VPRN$ auto-bind ldp
PE-1>config>service>VPRN$ router-id 1.1.1.1
PE-1>config>service>VPRN$ exit
PE-1>config>service#
```

- A. The protocol is configured under the config>service context
- B. The protocol is configured under the global router context
- C. The interface leading to the PE is defined as a protocol neighbor
- D. The routing protocol used must be the same as the routing protocol used at other CE-PE locations in the same VPN.
- E. A routing policy may or may not be required depending on the routing requirements and routing protocol

Correct Answer: BCE

QUESTION 5

Click the exhibit.



```
*A:PE2# show router bgp neighbor 10.10.10.1 received-routes vpn-ipv4
=====
BGP Router ID:10.10.10.2      AS:64496      Local AS:64496
=====
Legend -
Status codes : u - used, s - suppressed, h - history, d - decayed, * - valid
Origin codes  : i - IGP, e - EGP, ? - incomplete, > - best
=====
BGP VPN-IPv4 Routes
=====
Flag  Network                LocalPref  MED
NextHop
As-Path
-----
u*>i  64496:1:10.1.3.0/27        100        None
      10.10.10.1
      No As-Path
      131070
u*>?  64496:1:10.10.10.3/32    100        None
      10.10.10.1
      No As-Path
      131070
u*>?  64496:1:192.168.1.0/27   100        None
      10.10.10.1
      No As-Path
      131070
=====
Routes : 3
```

Which of the following best describes the output?

- A. The AS-Path is not present because a policy is configured on PE2 to set it to null.
- B. The AS-Path is not present because a policy is configured on CE1 to set it to null.
- C. The AS-Path is not present because a policy is configured on PE1 to set it to null.
- D. The AS-Path is not present because VPN-IPv4 routes do not propagate the IPv4 AS-Path BGP attribute.

Correct Answer: C

[4A0-106 PDF Dumps](#)

[4A0-106 Practice Test](#)

[4A0-106 Study Guide](#)