

4A0-106^{Q&As}

Alcatel-Lucent Virtual Private Routed Networks

Pass Alcatel-Lucent 4A0-106 Exam with 100% Guarantee

Free Download Real Questions & Answers **PDF** and **VCE** file from:

<https://www.pass2lead.com/4a0-106.html>

100% Passing Guarantee
100% Money Back Assurance

Following Questions and Answers are all new published by Alcatel-Lucent Official Exam Center

- ⚙️ **Instant Download** After Purchase
- ⚙️ **100% Money Back** Guarantee
- ⚙️ **365 Days** Free Update
- ⚙️ **800,000+** Satisfied Customers



QUESTION 1

In a VPRN that uses MPLS transport tunnels, which of the following statements about P devices is TRUE?

- A. P devices participate in service provider core routing.
- B. P devices are not required to be MPLS-enabled.
- C. P devices must be aware of the VPRNs.
- D. P devices must support MP-BGP.

Correct Answer: A

QUESTION 2

When configuring BGP as the PE-CE protocol on an Alcatel-Lucent 7750 SR, the configuration on the CE is done under the _____ context and the PE configuration is under the _____ context.

```
A:CE-1# show router bgp routes
=====
BGP Router ID : 10.10.10.76      AS : 65200      Local AS : 65200
=====
Legend -
Status codes : u - used, s - suppressed, h - history, d - decayed, * - valid
Origin codes  : i - IGP, e - EGP, ? - incomplete, > - best
=====
BGP Routes
=====
Flag  Network                Nexthop      LocalPref  MED
     VPN Label              As-Path
-----
u*>? 10.1.2.0/24              10.16.1.1   none       none
     65100 65100
u*>? 10.10.10.78/32         10.16.1.1   none       none
     65100 65100
u*>i 10.32.1.0/24            10.16.1.1   none       none
     65100
```

- A. Global, router
- B. Router, router
- C. Service, router
- D. Router, service
- E. Service, service
- F. Router, global

Correct Answer: D

QUESTION 3

Choose the answer that best completes the following sentence. The CE device is typically configured with _____.

- A. A single routing protocol for exchanging routes with both the internal customer routers and with the PE
- B. MP-BGP to exchange routes with the PE.
- C. MPLS and a routing protocol for the exchange of labels and routes with the PE
- D. MPLS for exchanging labels with other CE devices
- E. A routing protocol for exchanging routes with the internal customer routers and a routing protocol for exchanging routes with the PE

Correct Answer: E

QUESTION 4

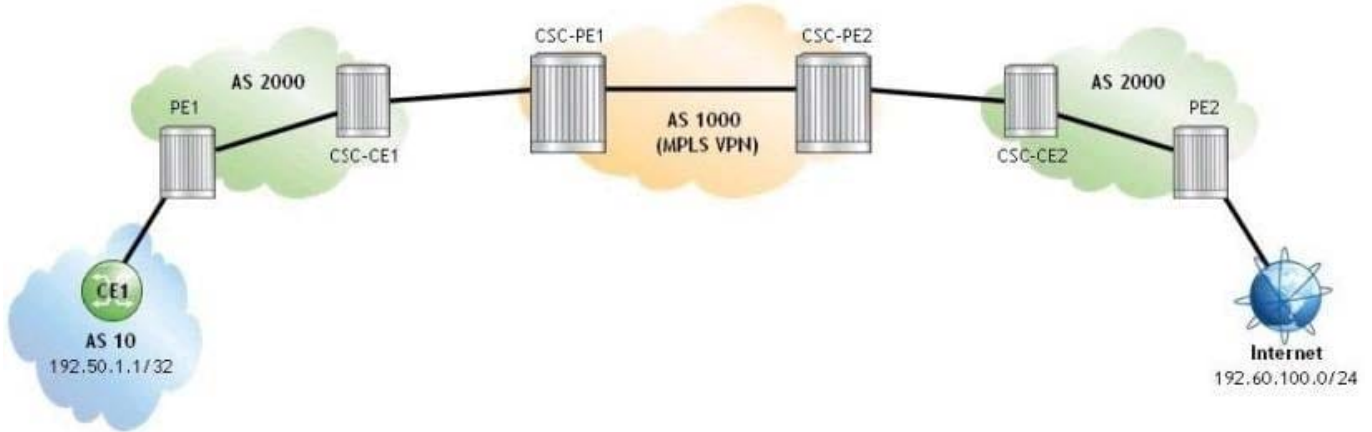
The policies shown below from the configuration of an Alcatel-Lucent 7750 SR have been created to implement an Extranet VPRN between the main sites of two separate VPRNs. How should these policies be applied?

- A. ample Policy should be applied as an export policy on the PE connected to the main site of Customer 1
- B. ample Policy 3 should be applied as an export policy on the PE connected to the main site of Customer 2
- C. ample Policy 3 should be applied as an export policy on both PEs connected to the main site of Customer 1 and the main site of Customer 2
- D. ample Policy should be applied as an export policy on both PEs connected to the main site of Customer 1 and the main site of Customer 2
- E. ample Policy should be applied as an export policy on all PEs connected to sites of Customer 1

Correct Answer: A

QUESTION 5

Click the exhibit.



A Carrier Supporting Carrier (CSC) VPRN is configured on an Alcatel-Lucent 7750 SR for a customer carrier who is an Internet Service Provider (ISP). Which of the following configuration steps is NOT required?

- A. Configuring labeled eBGP sessions between CSC-CE and CSC-PE routers.
- B. Configuring a policy on each CSC-CE to advertise local PE addresses to the network provider.
- C. Configuring labeled iBGP sessions between PEs residing in different customer carrier sites.
- D. Advertising the received system addresses of remote PEs using either iBGP or IGP/LDP within each customer carrier site.

Correct Answer: C

[Latest 4A0-106 Dumps](#)

[4A0-106 PDF Dumps](#)

[4A0-106 VCE Dumps](#)