

600-660^{Q&As}

Implementing Cisco Application Centric Infrastructure - Advanced

Pass Cisco 600-660 Exam with 100% Guarantee

Free Download Real Questions & Answers **PDF** and **VCE** file from:

<https://www.pass2lead.com/600-660.html>

100% Passing Guarantee
100% Money Back Assurance

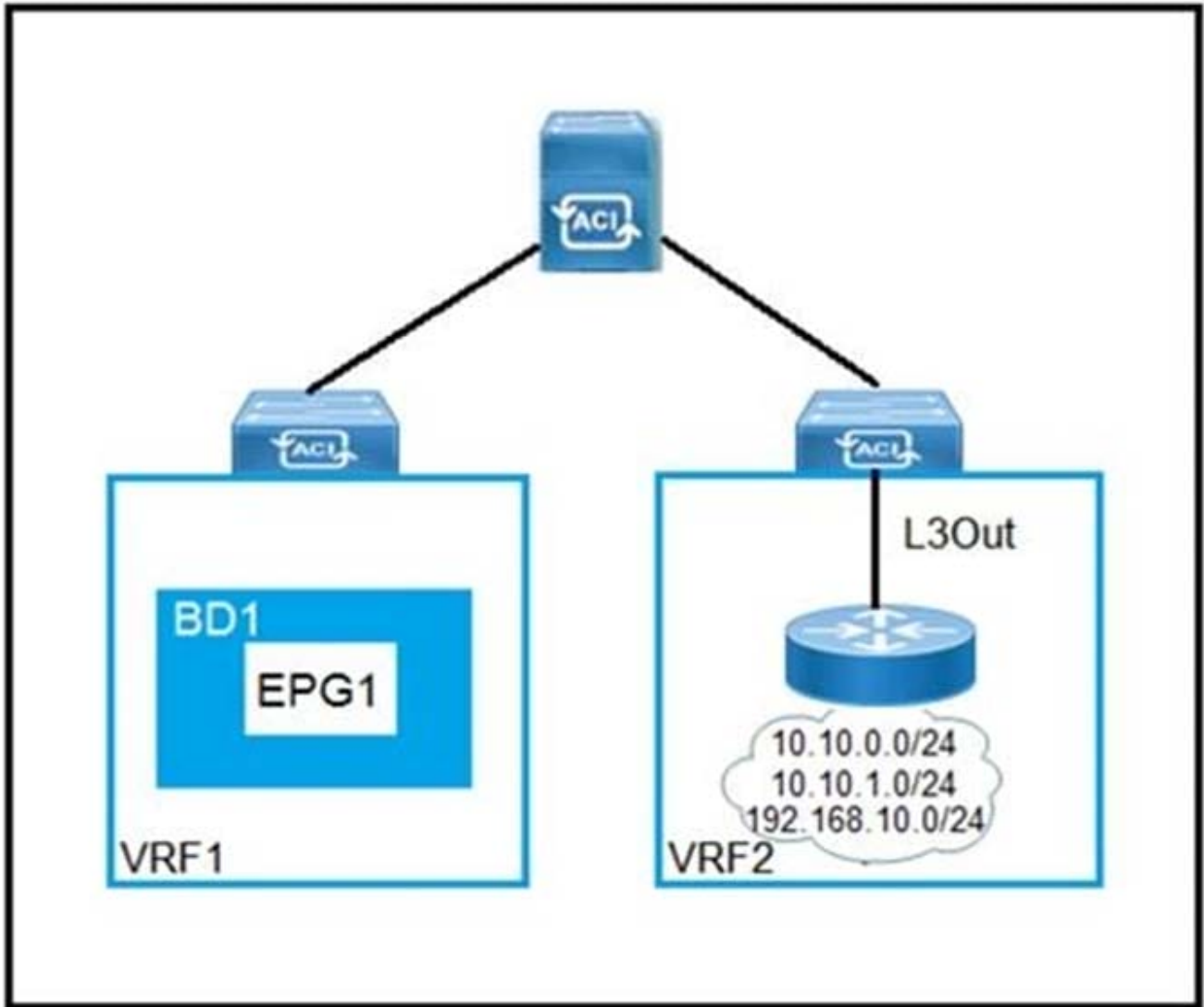
Following Questions and Answers are all new published by Cisco
Official Exam Center

- ⚙️ **Instant Download** After Purchase
- ⚙️ **100% Money Back** Guarantee
- ⚙️ **365 Days** Free Update
- ⚙️ **800,000+** Satisfied Customers



QUESTION 1

DRAG DROP



Refer to the exhibit. Drag and drop the subnets and flags from the left into the External Network Instance Profile policies on the right to create a setup that advertises only 10.10.0.0/24 and 10.10.1.0/24 prefixes in VRF1 and establishes connectivity between VRFs. Not all options are used.

Select and Place:

Answer Area

- 10.10.0.0/16
- 10.10.0.0/23
- 0.0.0.0/0
- External Subnets for the External EPG
- Export Route Control Subnet
- Shared Route Control Subnet
- Import Route Control Subnet
- Shared Security Import Subnet
- Aggregate Export
- Aggregate Import
- Aggregate Shared

IP Address

IP Address

Scope

Scope 1

Scope 2

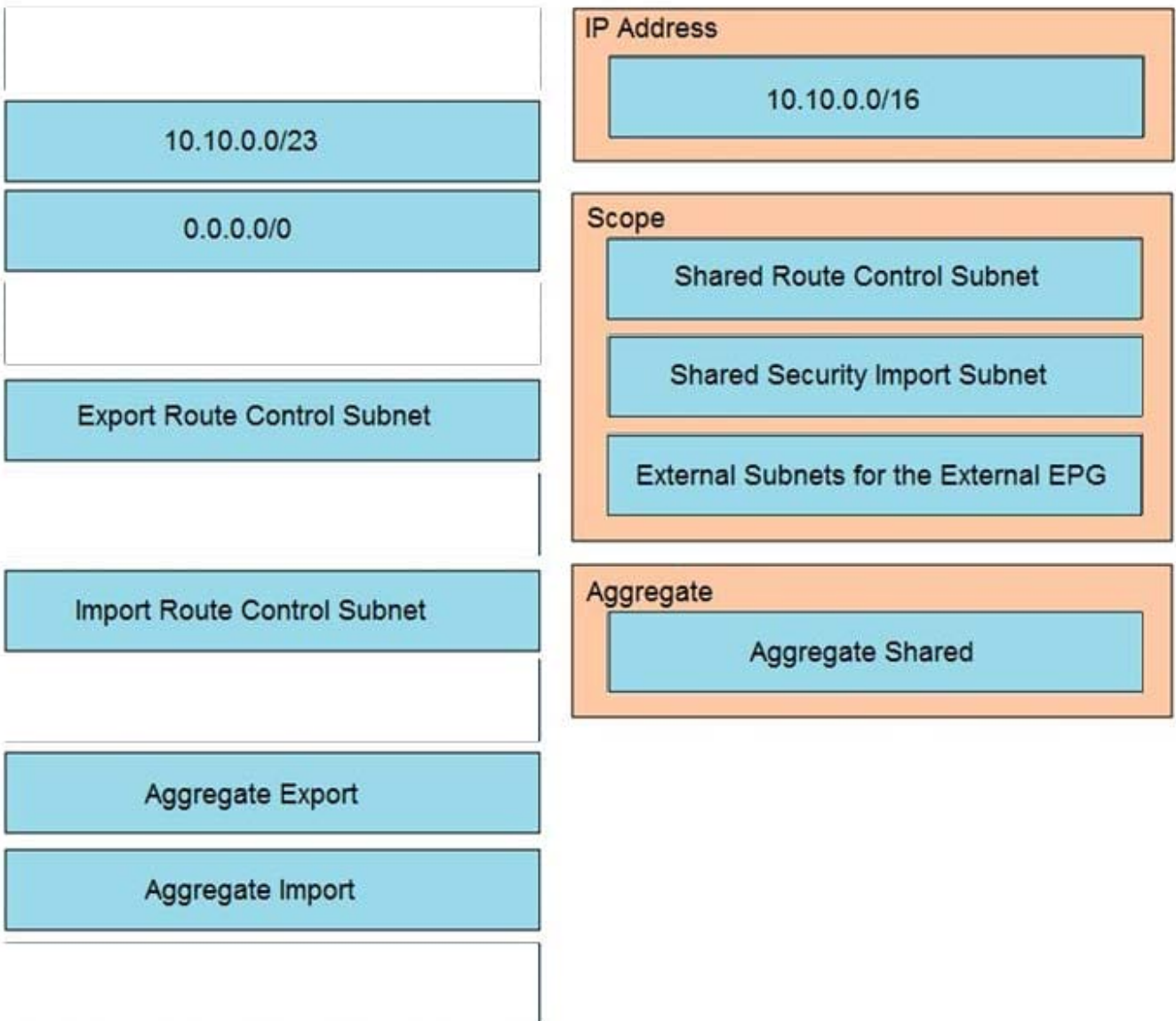
Scope 3

Aggregate

Aggregate

Correct Answer:

Answer Area



QUESTION 2

An engineer configures a new Cisco ACI Multi-Site Orchestrator node to join an MSO cluster. Which two components are necessary to ensure that the new node has IP connectivity in this configuration? (Choose two.)

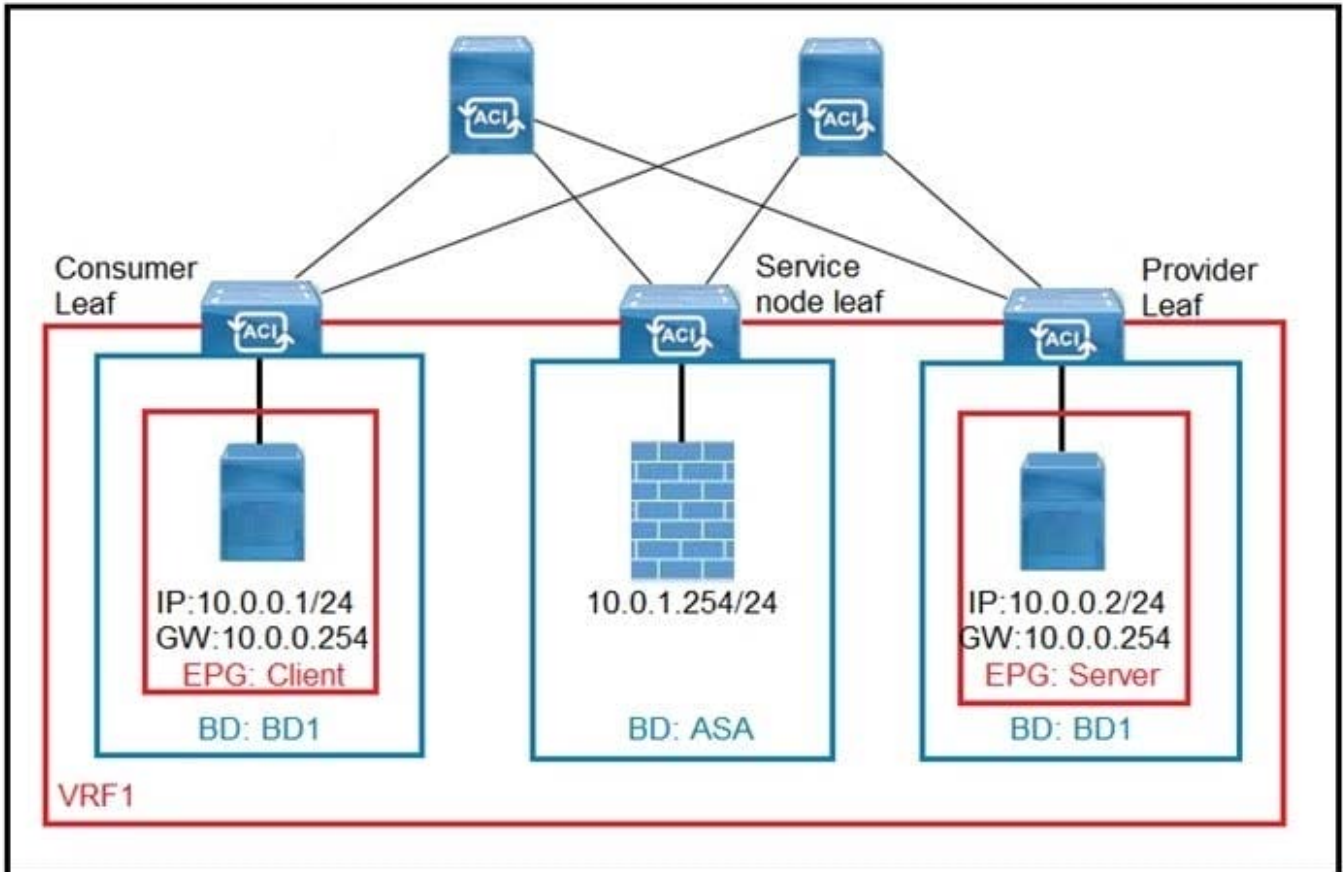
- A. Cisco ACI spine interfaces that are connected to ISN
- B. Cisco APICs over the OOB management network
- C. existing Cisco ACI Multi-Site Orchestrator node
- D. management IP of ESXi hosts where the controllers are deployed

E. OOB interface of ISN

Correct Answer: BC

Reference: <https://www.cisco.com/c/en/us/solutions/collateral/data-center-virtualization/application-centric-infrastructure/white-paper-c11-739609.html>

QUESTION 3



Refer to the exhibit. What must be configured in the service graph to redirect HTTP traffic between the EPG client and EPG server to go through the Cisco ASA firewall?

- A. contract filter to allow ARP and HTTP
- B. precise filter to allow only HTTP traffic
- C. contract with no filter
- D. permit-all contract filter

Correct Answer: A

QUESTION 4

An organization deploys active-active data centers and active-standby firewalls in each data center. Which action should be taken in a Cisco ACI Multi-Pod to maintain traffic symmetry through the firewalls?

- A. Enable Endpoint Dataplane Learning
- B. Disable service node Health Tracking
- C. Enable Pod ID Aware Redirection
- D. Disable Resilient Hashing

Correct Answer: B

QUESTION 5

DRAG DROP

A leaf receives unicast traffic that is destined to an unknown source, and spine proxy is enabled in the corresponding bridge domain. Drag and drop the Cisco ACI forwarding operations from the left into the order the operation occurs on the right.

Select and Place:

Answer Area

Spine lookup occurs dMACi or dIPi	Step 1
Packet is sent out of the fabric	Step 2
Packet is routed in VRF overlay-1 based on dIPo	Step 3
Source leaf forwards the packet to anycast TEP encapsulated with VXLAN header	Step 4
Packet reaches destination leaf and is VXLAN decapsulated	Step 5

Correct Answer:

Answer Area

- Source leaf forwards the packet to anycast TEP encapsulated with VXLAN header
- Spine lookup occurs dMACi or dIPi
- Packet is sent out of the fabric
- Packet reaches destination leaf and is VXLAN decapsulated
- Packet is routed in VRF overlay-1 based on dIPo