

# 71800X<sup>Q&As</sup>

71800X - Avaya IX Messaging Implementation and Maintenance

**Pass Avaya 71800X Exam with 100% Guarantee**

Free Download Real Questions & Answers **PDF** and **VCE** file from:

<https://www.pass2lead.com/71800x.html>

100% Passing Guarantee  
100% Money Back Assurance

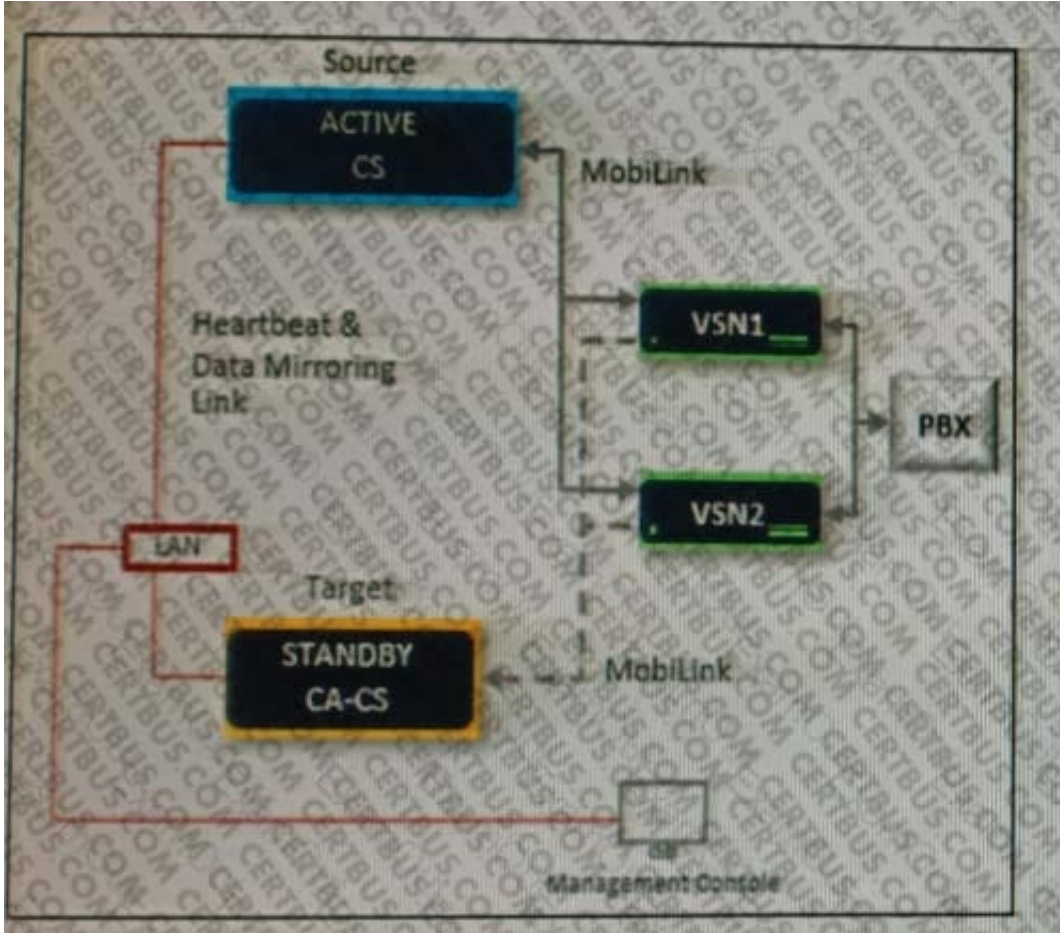
Following Questions and Answers are all new published by Avaya  
Official Exam Center

-  **Instant Download** After Purchase
-  **100% Money Back** Guarantee
-  **365 Days** Free Update
-  **800,000+** Satisfied Customers



**QUESTION 1**

Refer to the exhibit.



What is illustrated in the exhibit?

- A. VSN Architecture for Disaster Recovery
- B. Carbonite availability of the Consolidated Server for Disaster Recovery
- C. Two consolidated servers in the active-active mode
- D. A Management Console allowing Avaya IXTM Messaging moves, adds, and changes

Correct Answer: A

**QUESTION 2**

Which two components are supported on Avaya IXTM Messaging Voice Server Node architecture? (Choose two.)

- A. Audio / FAX / ASR / TTS
- B. Transcription
- C. IIS Web Service
- D. Message Networking
- E. Content Sync Engine

Correct Answer: AC

---

### QUESTION 3

Running Carbonite Availability backup software requires additional space on the IXM Drive. Which statement about running Carbonite Availability is true?

- A. There is at least 200MB free space on the drive as is occupied by the program's files.
- B. There is at least equal free space on the drive as is occupied by the program's files.
- C. There is at least three time as much free space on the drive as is occupied by the program's files.
- D. There is at least twice as much free space on the drive as is occupied by the program's files.

Correct Answer: C

---

### QUESTION 4

Content Synchronization Engine is the server that will perform the IMAP sync with Gmail, Office 365, and MS Exchange. For larger deployments, it is mandatory to add remote content sync engine(s).

What is the limit specified for adding a remote content sync engine?

- A. One server for every 20,000 Advanced users
- B. One server for every 10,000 Advanced users
- C. One server for every 5,000 Advanced users
- D. One server for every 2,000 Advanced users

Correct Answer: A

---

### QUESTION 5

Which Anti-virus software is validated by Avaya IXTM Messaging release?

- A. Norton Anti-virus Corporate Edition
- B. McAfee VirusScan

C. BitDefender

D. Microsoft Defender

Correct Answer: B

[71800X VCE Dumps](#)

[71800X Practice Test](#)

[71800X Study Guide](#)