

830-01^{Q&As}

RCPE Certified Professional WAN Optimization

Pass Riverbed 830-01 Exam with 100% Guarantee

Free Download Real Questions & Answers **PDF** and **VCE** file from:

<https://www.pass2lead.com/830-01.html>

100% Passing Guarantee
100% Money Back Assurance

Following Questions and Answers are all new published by Riverbed
Official Exam Center

-  **Instant Download** After Purchase
-  **100% Money Back** Guarantee
-  **365 Days** Free Update
-  **800,000+** Satisfied Customers



QUESTION 1

Which TCP port will two Interceptor appliances communicate across in a parallel deployment?

- A. 7800
- B. 7810
- C. 7840
- D. 7850
- E. 7860

Correct Answer: E

QUESTION 2

Refer to the exhibit.

```
▪ Log Entry: Sep 7 16:41:45 gen-sh102 kernel:  
[intercept.WARN] asymmetric routing between  
10.11.111.19:33262 and 10.11.25.23:5001 detected (no  
SYN/ACK)
```

You noticed the following entry in the logs. What is the cause of the problem?

- A. Complete asymmetry
- B. Server-side asymmetry
- C. Client-side asymmetry
- D. Multi-syn retransmit
- E. SYN retransmit

Correct Answer: C

QUESTION 3

Citrix remote applications, running on the server and to access printers and disk drives, are not performing well. What can you configure to improve the performance?

- A. Enable Citrix CDM optimization.
- B. Enable SecureICA encryption.

- C. Session Reliability (CGP) Port.
- D. Enable Citrix Traffic Fallback Behavior.

Correct Answer: A

QUESTION 4

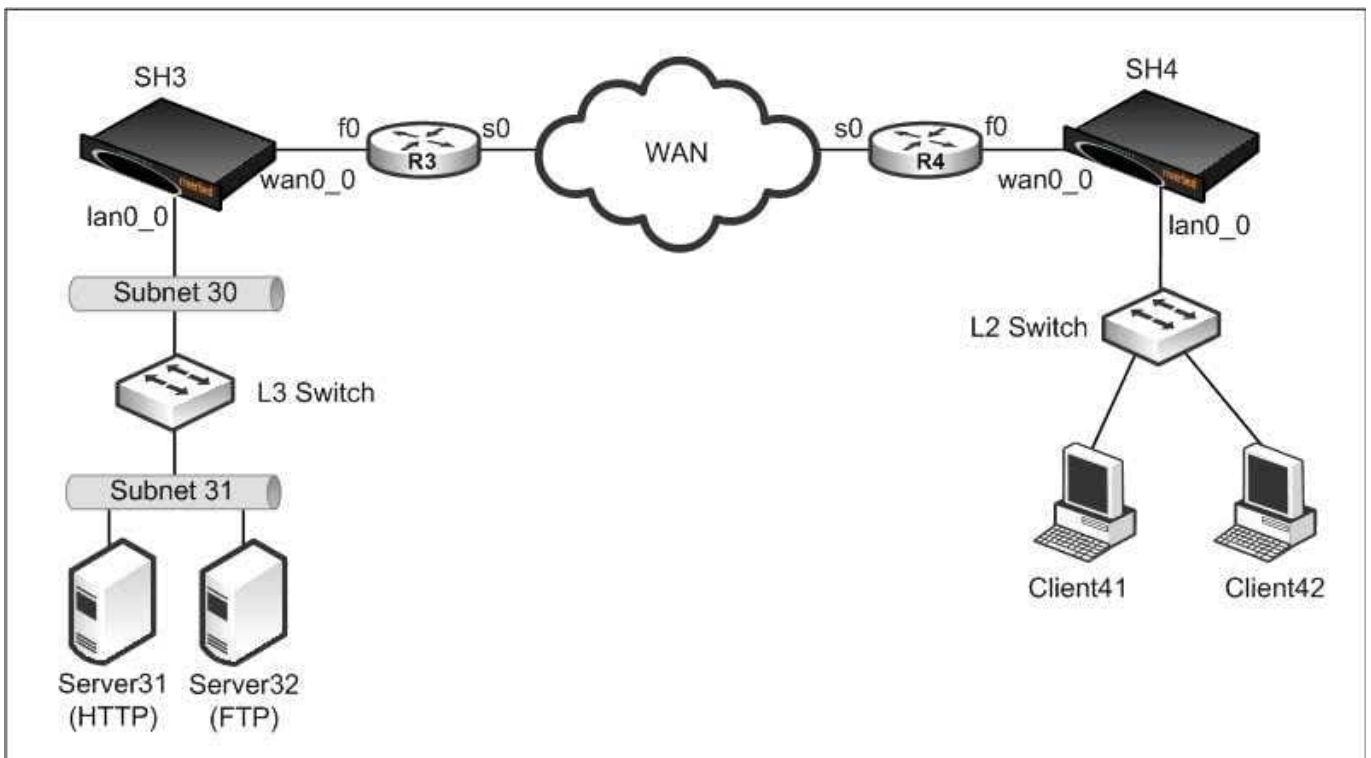
On the Steelhead Mobile Controller, what is the default setting of Reorder Intermediate Drivers?

- A. Enabled
- B. Disabled
- C. Offline
- D. Online
- E. Checked

Correct Answer: B

QUESTION 5

Refer to the exhibit.



SH3 and SH4 are able to optimize HTTP sessions from Client41 to application host Server31. However, Client41 receives a failure messageE. "ftp connect: Unknown error number" while trying to connect Server32. The same applies to

Client42. Note that SH3 and SH4 are in auto-discovery mode. Client41 and Client42 are able to ping Server32. What is the most likely cause of this failure?

- A. The network interface card (NIC) at Server32 is down
- B. The FTP service running in Server32 is down
- C. An outbound access-list specified at R3f0 denies IP traffic from Client41 and Client42
- D. An outbound access-list specified at R3f0 denies FTP control traffic from Client41 and Client42
- E. The routing protocol between R3 and R4 is configured wrong

Correct Answer: B

[830-01 VCE Dumps](#)

[830-01 Practice Test](#)

[830-01 Braindumps](#)