

CLAD^{Q&As}

Certified LabVIEW Associate Developer Examination

Pass NI CLAD Exam with 100% Guarantee

Free Download Real Questions & Answers **PDF** and **VCE** file from:

<https://www.pass2lead.com/clad.html>

100% Passing Guarantee
100% Money Back Assurance

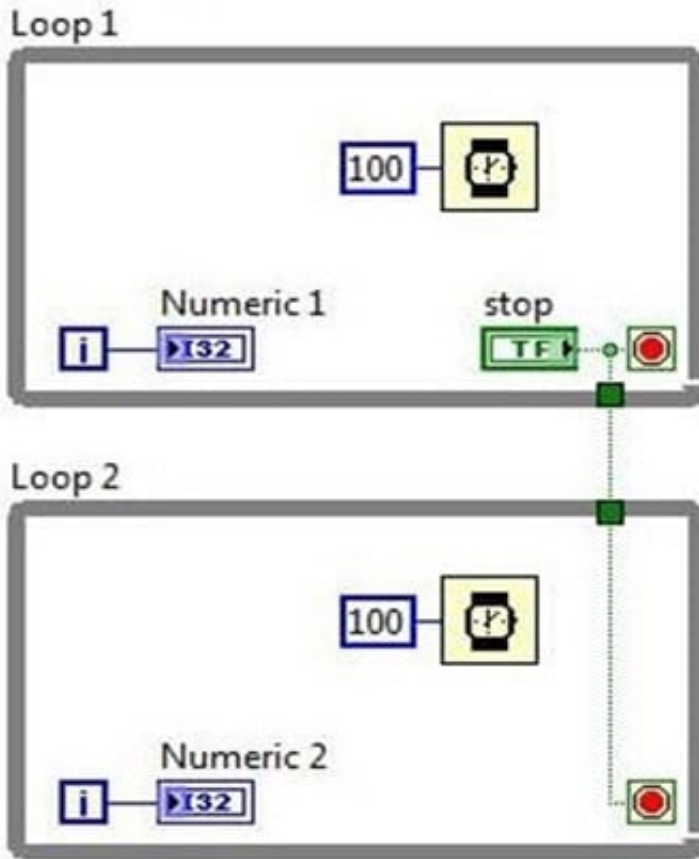
Following Questions and Answers are all new published by NI Official Exam Center

- ⚙️ **Instant Download** After Purchase
- ⚙️ **100% Money Back** Guarantee
- ⚙️ **365 Days** Free Update
- ⚙️ **800,000+** Satisfied Customers



QUESTION 1

What is the behavior of this VI when the code executes?



- A. Loop 1 runs after Loop 2 stops
- B. Loop 1 and Loop 2 are deadlocked
- C. Loop 2 runs after Loop 1 stops
- D. Loop 1 and Loop 2 run simultaneously

Correct Answer: D

QUESTION 2

The function of a Cluster is to:

- A. Allow grouping of mixed data types into logical structures.
- B. Present data on the Front Panel using charts or graphs.
- C. Provide a means of differentiating between data types on the Block Diagram.

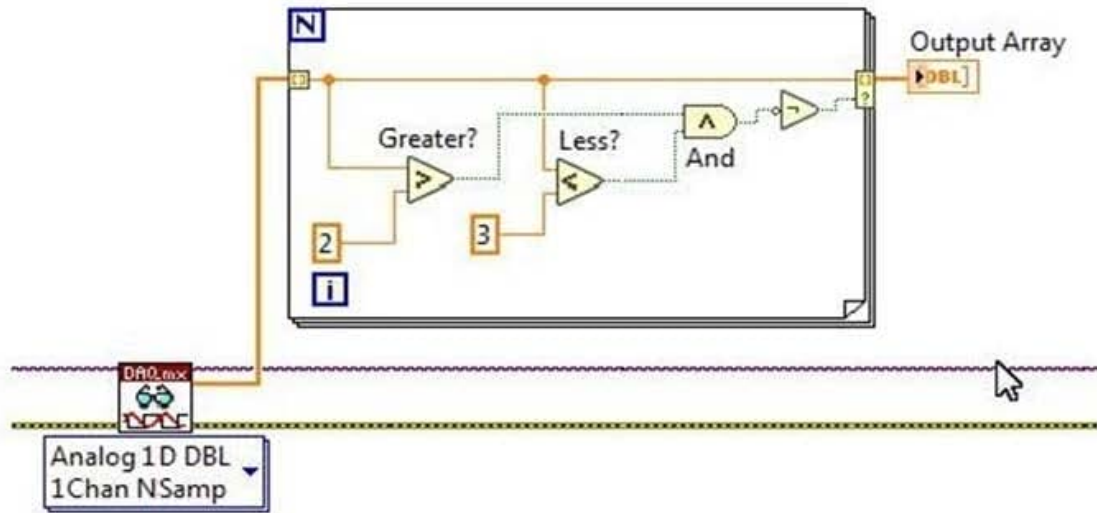
D. Separate data objects by data type on the Front Panel.

Correct Answer: A

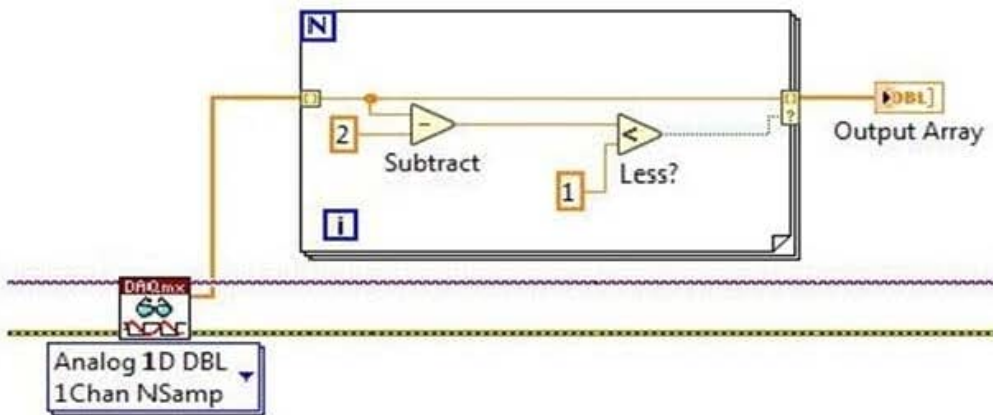
QUESTION 3

Which code will remove any and all samples in the array that are between 2 and 3, exclusive?

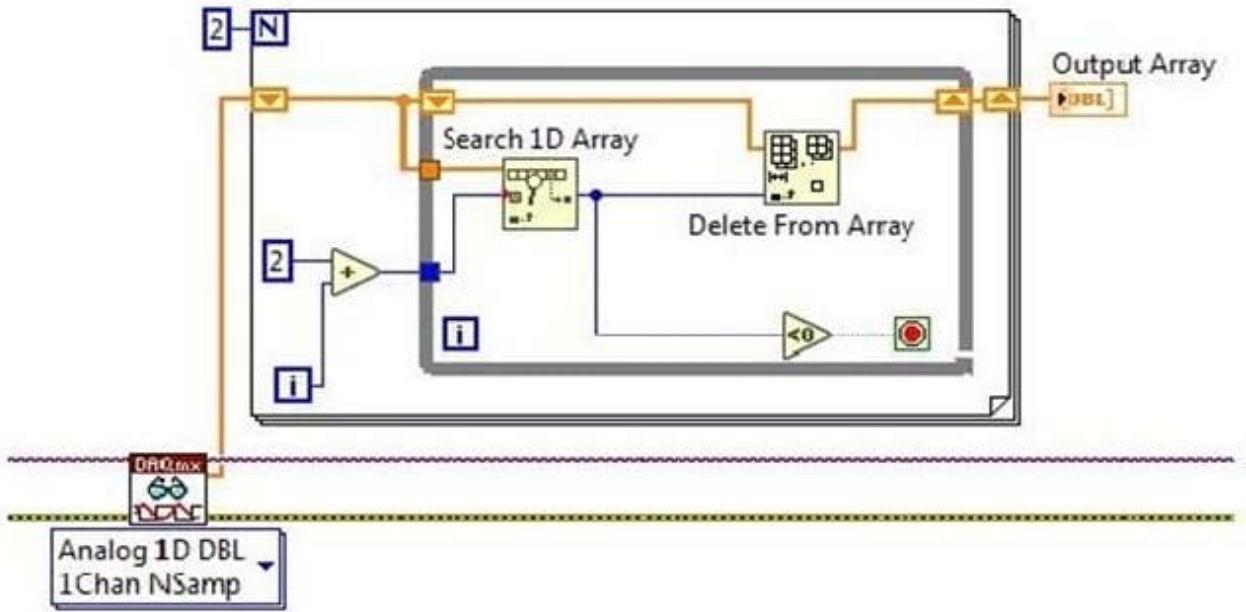
A.



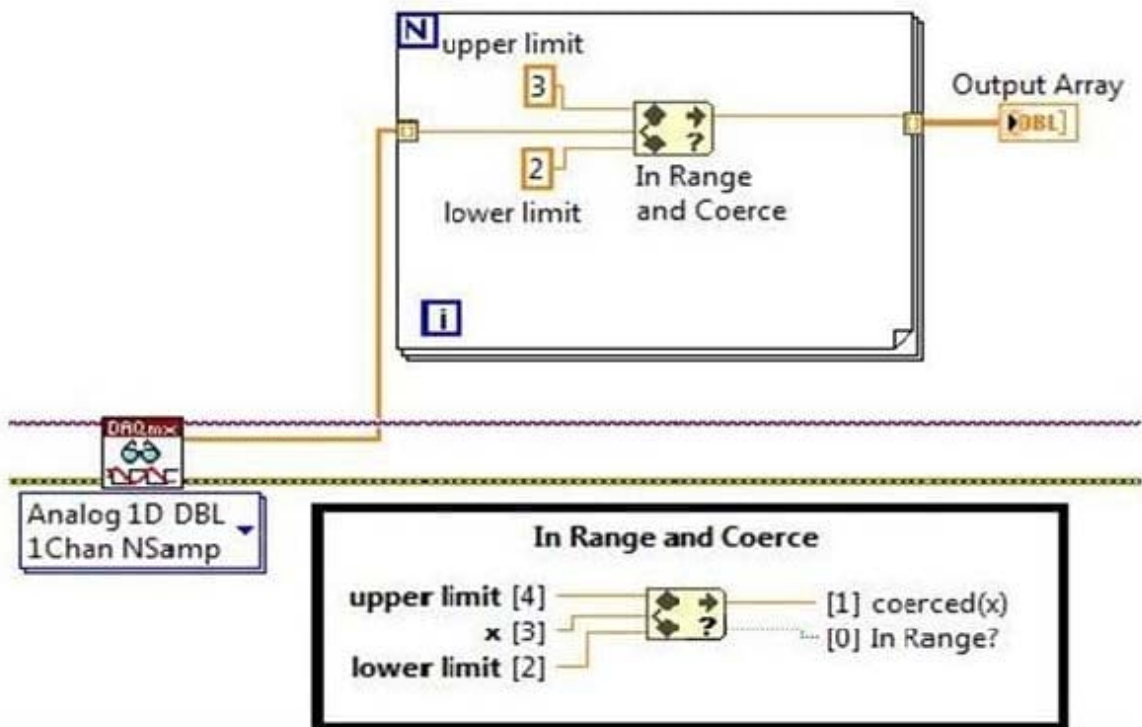
B.



C.



D.



A. Option A

B. Option B

C. Option C

D. Option D

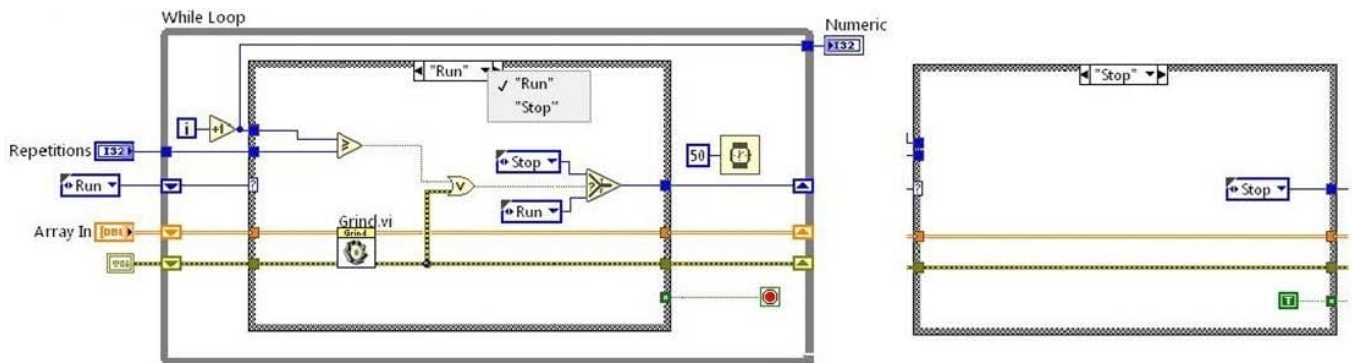
Correct Answer: C

QUESTION 4

This VI is started with a value of 7 in the Repetitions control.

The SubVI Grind.vi returns an error the fifth time it runs.

What is the value in the Numeric indicator after this VI has run?

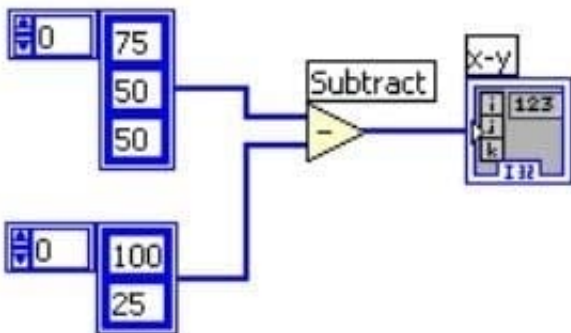


- A. 6
- B. 5
- C. 4
- D. 7

Correct Answer: B

QUESTION 5

What is the result of the following Array subtraction?



- A. A 1-D Array of {-25, 25, 50}
- B. A 1-D Array of {-25, 25}

C. A 2-D Array of {{-25, -50, -50}, {50, 25, 25}}

D. A 1-D Array of {75, -50, 25}

Correct Answer: B

[CLAD PDF Dumps](#)

[CLAD Practice Test](#)

[CLAD Study Guide](#)