

CLAD^{Q&As}

Certified LabVIEW Associate Developer Examination

Pass NI CLAD Exam with 100% Guarantee

Free Download Real Questions & Answers **PDF** and **VCE** file from:

<https://www.pass2lead.com/clad.html>

100% Passing Guarantee
100% Money Back Assurance

Following Questions and Answers are all new published by NI Official Exam Center

- ⚙️ **Instant Download** After Purchase
- ⚙️ **100% Money Back** Guarantee
- ⚙️ **365 Days** Free Update
- ⚙️ **800,000+** Satisfied Customers



QUESTION 1

The function of a Cluster is to:

- A. Allow grouping of mixed data types into logical structures.
- B. Present data on the Front Panel using charts or graphs.
- C. Provide a means of differentiating between data types on the Block Diagram.
- D. Separate data objects by data type on the Front Panel.

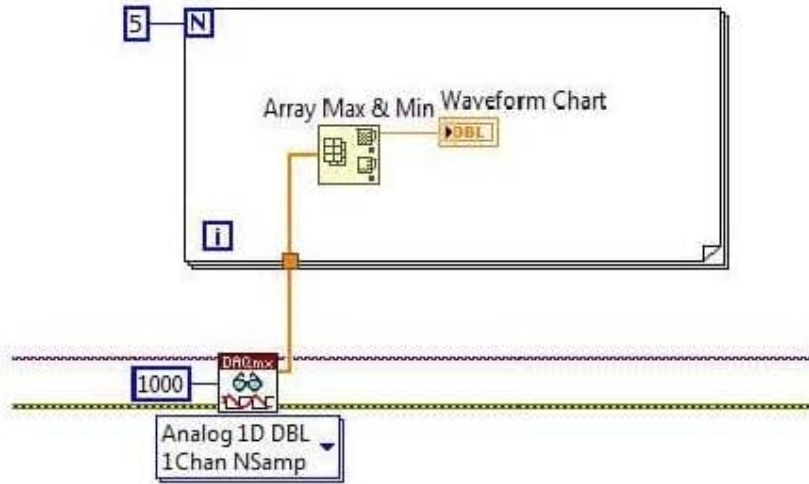
Correct Answer: A

QUESTION 2

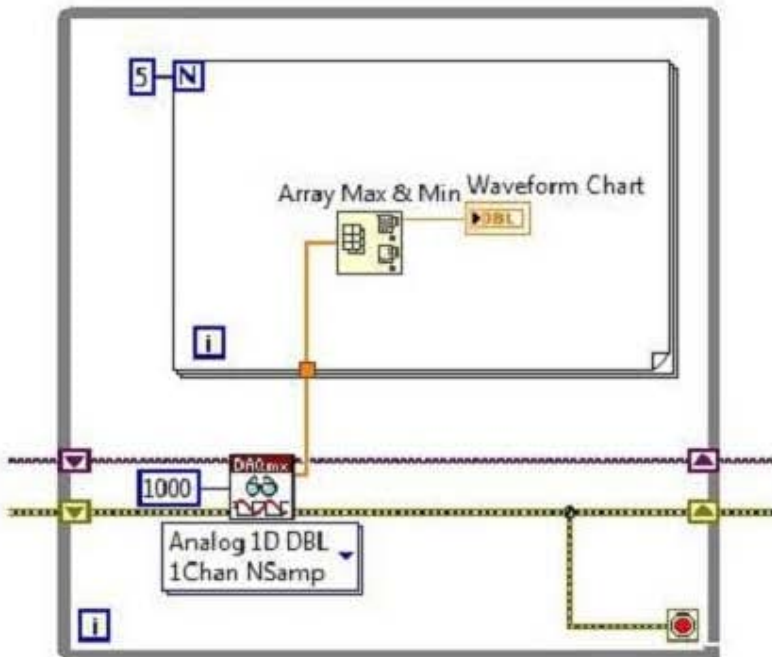
The DAQmx task is set to acquire at a rate of 1000 Hz.

Which VI Snippet acquires and plots only the maximum value for each set of 1000 samples, for a period of 5 seconds?

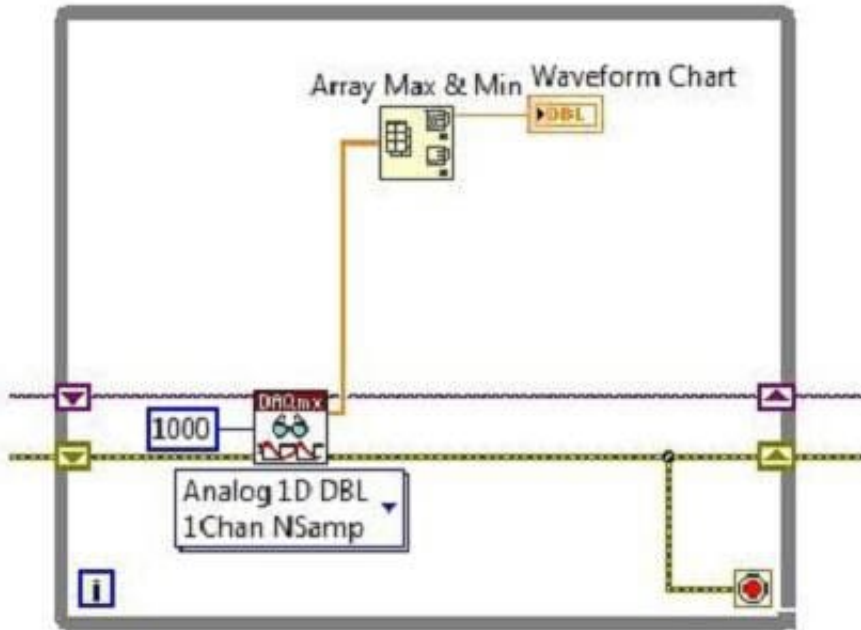
A.



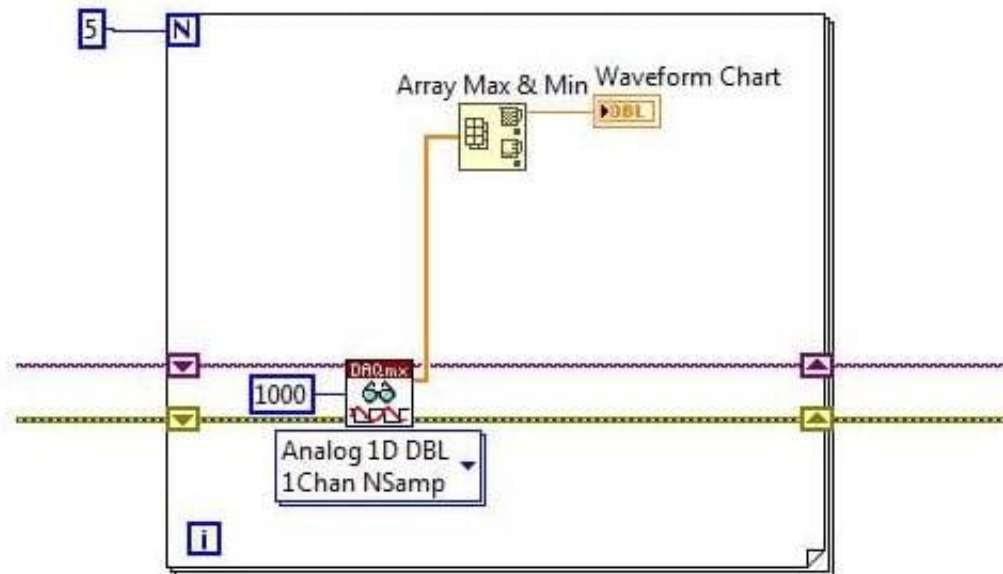
B.



C.



D.



A. Option A

B. Option B

C. Option C

D. Option D

Correct Answer: A

QUESTION 3

Which of the following will allow you to have multiple plots on a Waveform Graph?

- A. Bundle two 1D arrays of X and Y data together for each plot. Then build an array of these clusters and wire it to the Waveform Graph indicator.
- B. Build an n-dimensional array of data with each plot in a separate row (or column) in the array, then wire the array to the Waveform Graph indicator.
- C. Bundle the elements of each waveform into a cluster and build an array of these clusters, then wire the array to the Waveform Graph indicator.
- D. Both B. and C.

Correct Answer: D

QUESTION 4

What is the value in XOR Result after the following code has executed?

- A. 0
- B. 1
- C. True
- D. False

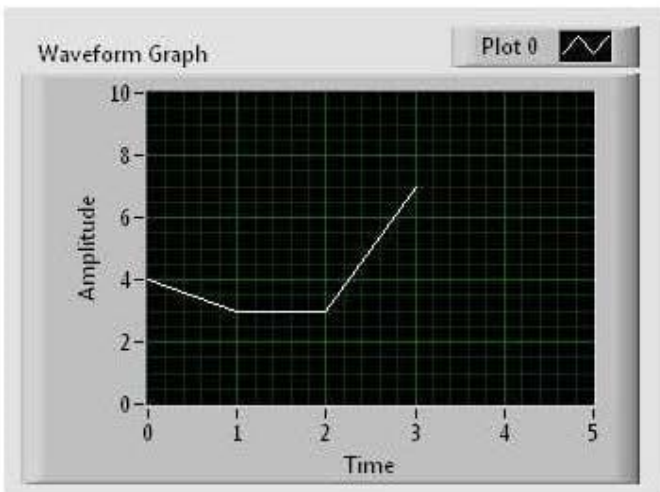
Correct Answer: B

QUESTION 5

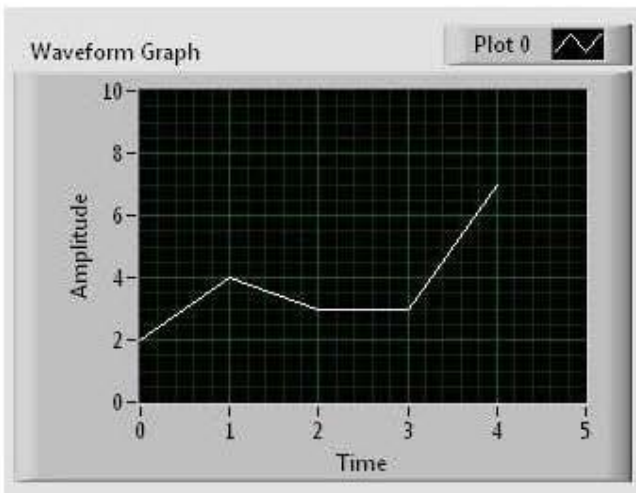
Which Waveform Graph could be a representation of the data in the Numeric Array control?



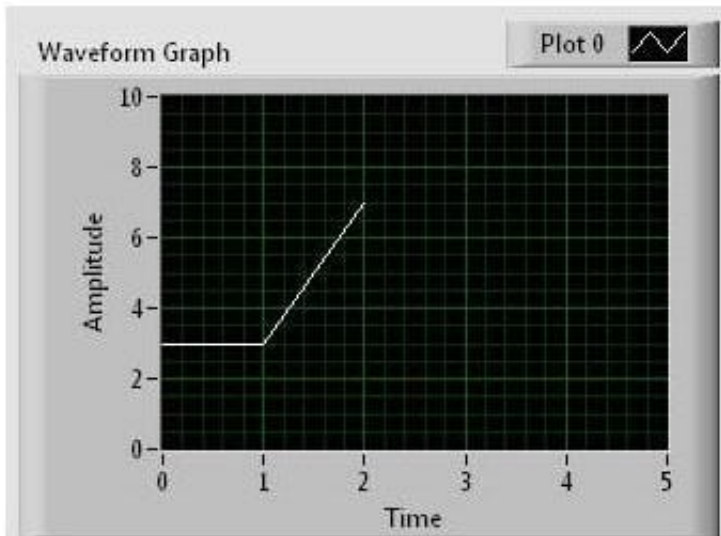
A.



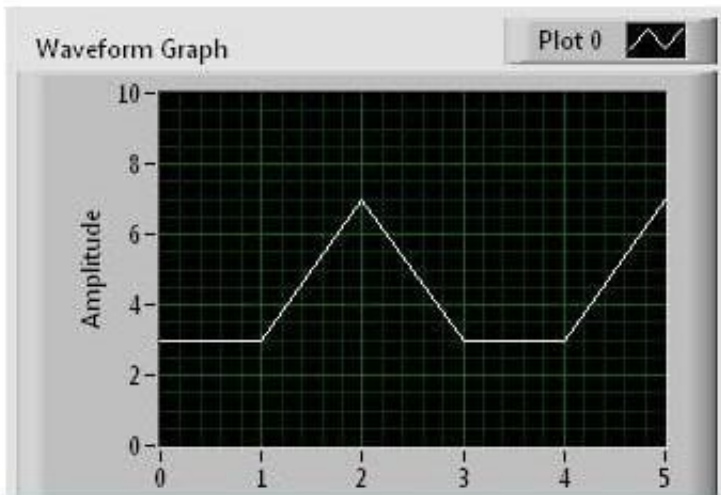
B.



C.



D.



A. Option A

B. Option B

C. Option C

D. Option D

Correct Answer: C

[Latest CLAD Dumps](#)

[CLAD Study Guide](#)

[CLAD Brainsdumps](#)