

# E20-545<sup>Q&As</sup>

VNX Solutions Specialist Exam for Technology Architects

## Pass EMC E20-545 Exam with 100% Guarantee

Free Download Real Questions & Answers **PDF** and **VCE** file from:

<https://www.pass2lead.com/e20-545.html>

100% Passing Guarantee  
100% Money Back Assurance

Following Questions and Answers are all new published by EMC  
Official Exam Center

- ⚙️ **Instant Download** After Purchase
- ⚙️ **100% Money Back** Guarantee
- ⚙️ **365 Days** Free Update
- ⚙️ **800,000+** Satisfied Customers



**QUESTION 1**

Which statement describes the Reserved LUN Pool?

- A. Member LUNs must be inStorageGroup
- B. Requires the FAST VP enabler
- C. A managed object used by VNX Snapshots
- D. Contains chunks of 64 kB in size

Correct Answer: D

---

**QUESTION 2**

Which LAN configuration is recommended for an iSCSI network on the VNX?

- A. Layer 2 (switched)
- B. Layer 3 (routed)
- C. Layer 2 (routed)
- D. Layer 3 (switched)

Correct Answer: A

---

**QUESTION 3**

A customer has a heterogeneous FAST VP Pool with 2.4 TB available space. The pool contains a mix of thick LUNs and thin LUNs. The customer attempts to create a 2.4 TB thick LUN, but the process fails.

What caused the failure?

- A. Pools with thick LUNs cannot be oversubscribed.
- B. Heterogeneous Pools do not allow thick LUNs larger than 2 TB.
- C. There is insufficient space for thick LUN metadata.
- D. VNX Snapshots are present on the existing thin LUNs.

Correct Answer: C

---

**QUESTION 4**

Refer to the exhibits.

Exhibit A

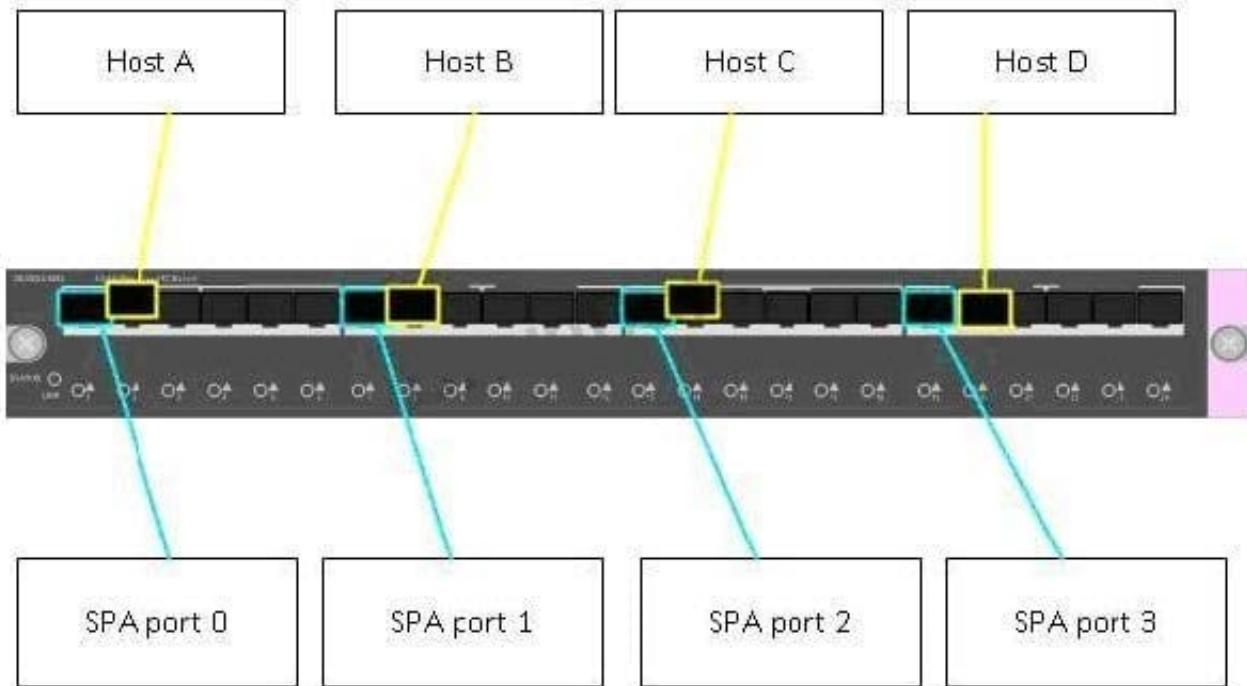


Exhibit B

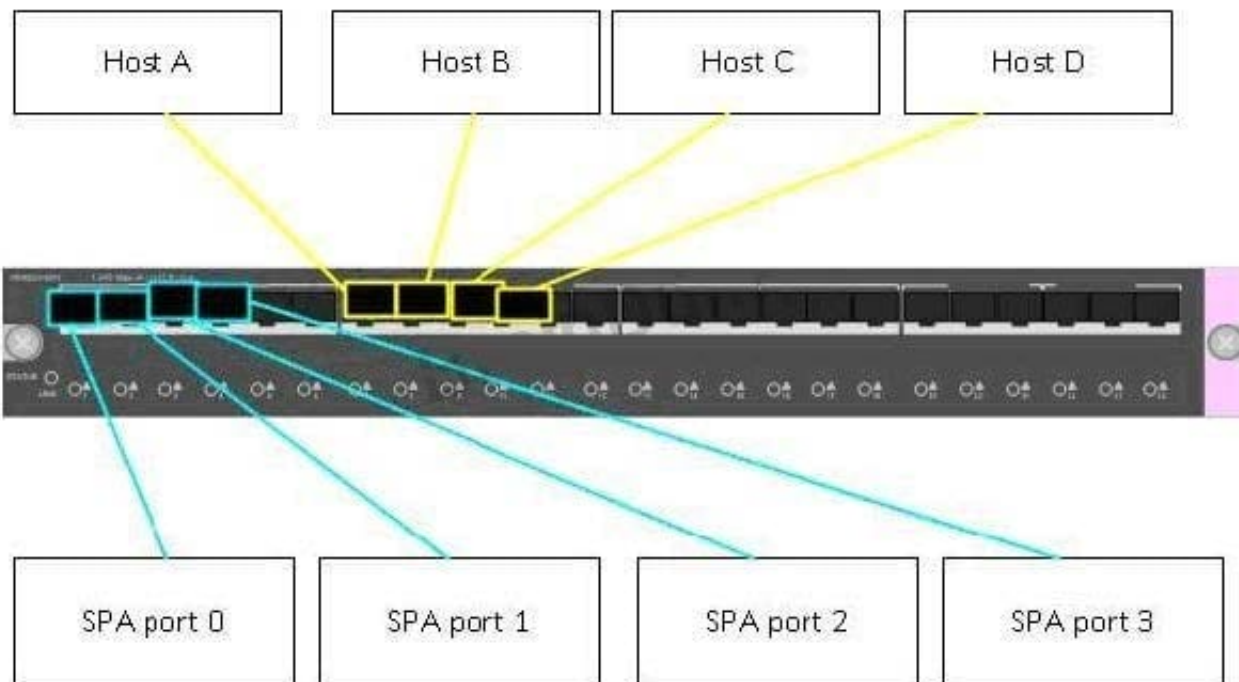


Exhibit C

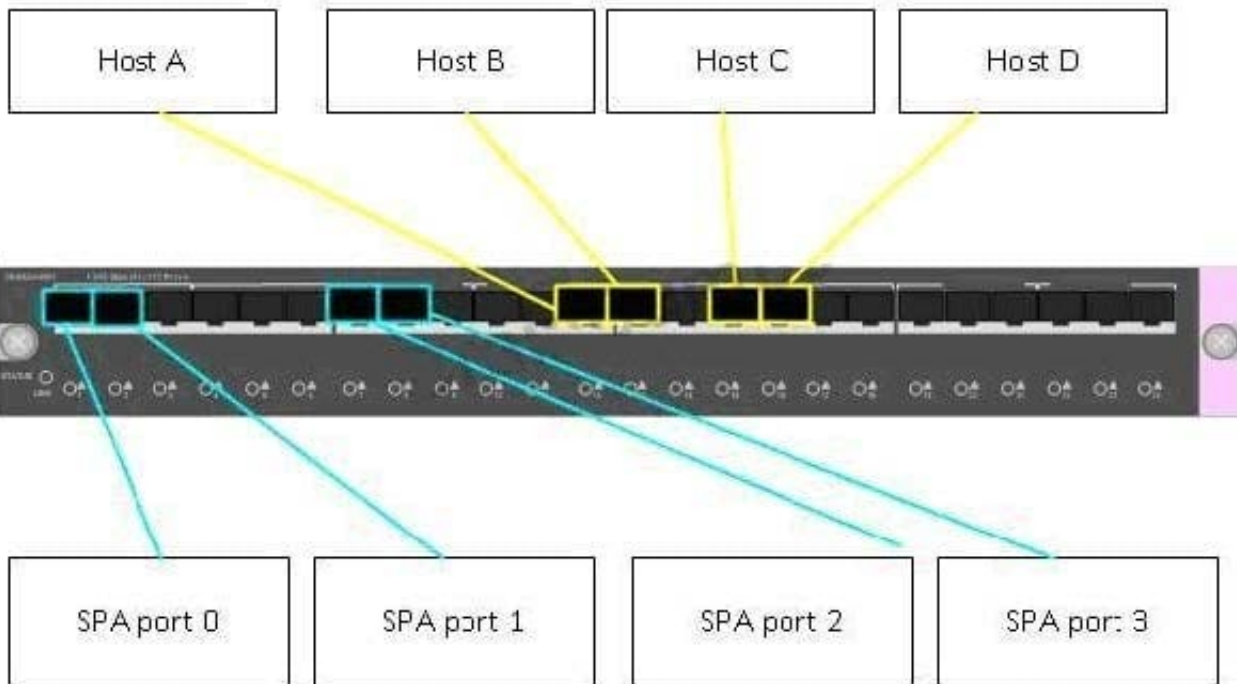
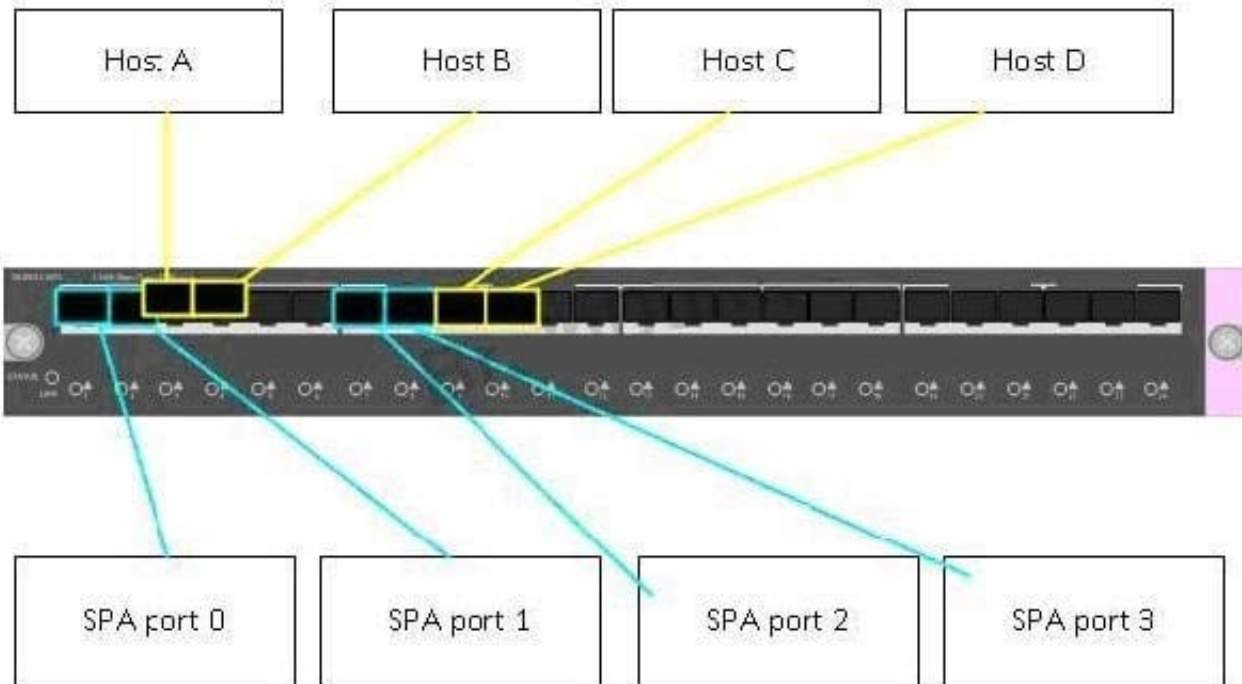


Exhibit D



Which SAN connectivity solution uses the EMC best practice for port group oversubscription on a Cisco 24-port module?

- A. Exhibit 1
- B. Exhibit 2
- C. Exhibit 3

D. Exhibit 4

Correct Answer: A

---

**QUESTION 5**

Which three metrics can UnisphereQoS control?

- A. Throughput, queue length, utilization
- B. Bandwidth, response time, service time
- C. Response time, bandwidth, throughput
- D. Service time, seek distance, throughput

Correct Answer: C

[E20-545 PDF Dumps](#)

[E20-545 VCE Dumps](#)

[E20-545 Exam Questions](#)