



HP0-S35^{Q&As}

Implementing HP BladeSystem Solutions

Pass HP HP0-S35 Exam with 100% Guarantee

Free Download Real Questions & Answers **PDF** and **VCE** file from:

<https://www.pass4lead.com/HP0-S35.html>

100% Passing Guarantee
100% Money Back Assurance

Following Questions and Answers are all new published by HP Official Exam Center

-  **Instant Download** After Purchase
-  **100% Money Back** Guarantee
-  **365 Days** Free Update
-  **800,000+** Satisfied Customers





QUESTION 1

What are some advantages of iLO4 versus iLO3?

- A. Remote deployment
- B. Embedded remote support
- C. HP Agentless management
- D. Remote media

Correct Answer: BC

<http://h20195.www2.hp.com/V2/GetPDF.aspx/4AA4-5167ENW.pdf>



HP iLO 3 Licensed vs. HP iLO 3 Standard

Feature	HP iLO Standard	HP iLO Standard for BladeSystem	HP iLO Advanced	HP iLO Advanced for BladeSystem
Platform support	All (except BL)	BL	All (except BL)	BL
Embedded health system	✓	✓	✓	✓
Virtual power buttons	✓	✓	✓	✓
IPMI over LAN/DCMI	✓	✓	✓	✓
Web-based GUI	✓	✓	✓	✓
SSH command line interface	✓	✓	✓	✓
RIBCL	✓	✓	✓	✓
Virtual serial port (VSP)	✓	✓	✓	✓
IPv6*	✓	✓	✓	✓
Integrated Remote Console (IRC/Virtual KVM, support text, and graphics)	Pre-OS only	✓	✓	✓
Global Team Collaboration via Integrated Remote Console			✓	✓
Integrated Remote Console record and playback			✓	✓
Virtual Media via Integrated Remote Console		✓	✓	✓
Scripted virtual media			✓	✓
Text-based remote console via SSH (TEXTCONS)			✓	✓
Directory Service Authentication			✓	✓
Kerberos authentication			✓	✓
Email-based alerting			✓	✓
Remote syslog			✓	✓
Advanced power management (power history graphs, Dynamic Power Capping)			✓	✓

* IPv6 Phase 1 Support: Static address assignment (up to 4), router advertised (RA) address assignment (up to 3 plus the link-local address), static routes (up to 3), default gateway (1), enables the following iLO applications/clients: HTTP/HTTPS, SSH, SNMP, DDNS, Remote Console, and Virtual Media through the Remote Console.

Note: When the HP iLO Scale-Out license is applied to blade servers, it does not remove features that are available with the iLO Standard For BladeSystem license.



HP iLO 4 Licensed vs. HP iLO 4 Standard (continued)

Feature	HP iLO Standard	HP iLO Standard for BladeSystem	HP iLO Essentials	HP iLO Scale-Out	HP iLO Advanced	HP iLO Advanced for BladeSystem
Kerberos authentication					✓	✓
Email-based alerting				✓	✓	✓
Remote syslog				✓	✓	✓
Advanced power management (power history graphs, Dynamic Power Capping)				✓	✓	✓
Virtual serial port record and playback				✓	✓	✓
Discovery services					✓	✓

QUESTION 2

An HP Blc 4x QDR InfiniBand switch is intalled in Bays 3 and 4 in a c7000 enclosure. What is the maximum number of downlink ports that it provides for connections to blade server?

- A. 8
- B. 16
- C. 32
- D. 64

Correct Answer: B

http://h18004.www1.hp.com/products/quickspecs/12586_div/12586_div.PDF

HP BLc 4X QDR IB Switch for HP BladeSystem c-Class Double wide switch blade for the new c7000 enclosure with 16 downlink ports to connect server blades via the midplane. and 16 QSFP unlink ports for the inter- switch links or to connect to external servers. All ports are capable of supporting 40Gbps (QDR) bandwidth. All uplink ports support copper and fiber optic cables. The switch is externally managed, i.e. a subnet manager has to be provided on the fabric (see the subnet manager discussion above)

QUESTION 3

You discovered a group of 20 blades in HP SIM and want to correctly configure and license them from Matrix Operating Environment. How do you achieve this with one easy-to-manage task?

- A. Run Managed System Setup Wizard (MSSW) against all systems.



- B. Use HP SUM.
- C. Use an Onboard Administrator (OA) script.
- D. Run License Manager against all systems.

Correct Answer: A

http://h20628.www2.hp.com/km-ext/kmcsdirect/emr_na-c03360460-2.pdf - Pages 61 - 68

QUESTION 4

What are the major advantages of the GUID Partition Table (GPT) over the Master Boot Record (MBR)?

- A. It is not restricted to a disk partition's size of 2 TB
- B. It provides added security with 1024 encryption
- C. it provides redundancy
- D. it supports Solid State Drives (SSD)
- E. It provides added security with 2048 encryption

Correct Answer: AC

http://en.wikipedia.org/wiki/Master_boot_record http://en.wikipedia.org/wiki/GUID_Partition_Table

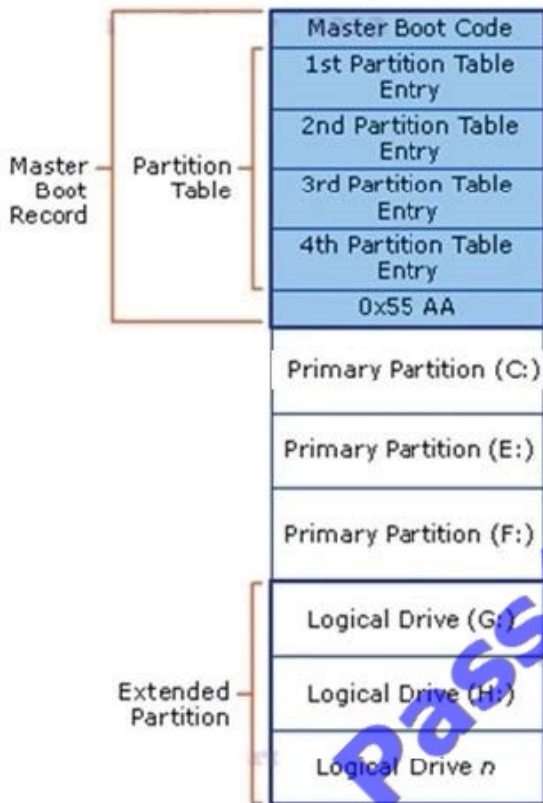
<http://www.petri.co.il/gpt-vs-mbr-based-disks.htm>

Size MBR - Disk no larger than 2TB GPT - Disk up to (in theory) 8ZB (Yes - Zetta Bytes)

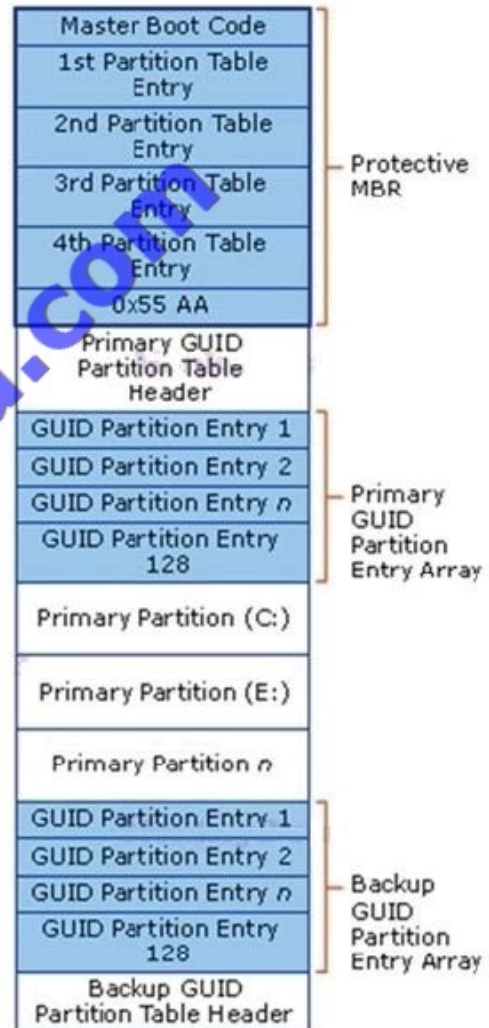
Redundancy MBR - Nothing - Single partition table GPT - Provides redundancy, writing the GPT header and partition table both at the beginning and at the end of the disk.



MBR Disk Layout



GPT-based Disk Layout



QUESTION 5

A customer wants to add a second dual port Fiber Channel adapter to a BL460c Gen8 Server in an HP BladeSystem?

- A. FC HBA in Mezzanine two with FC interconnects in slots seven and eight
- B. FC HBA in Mezzanine two with FC interconnects in slots three and four
- C. FC HBA in Mezzanine two with FC interconnects in slots five and seven
- D. FC HBA in Mezzanine two with FC interconnects in slots five and six

Correct Answer: D

In typical HP lazy question style this answer is open to debate, as we do not know if they are using a c7000 or c3000 chassis... In cases like this plum for whatever makes HP more money..! So c7000 in this case...

<http://h20000.www2.hp.com/bc/docs/support/SupportManual/c00810839/c00810839.pdf> All of HP c-Class FC HBA's



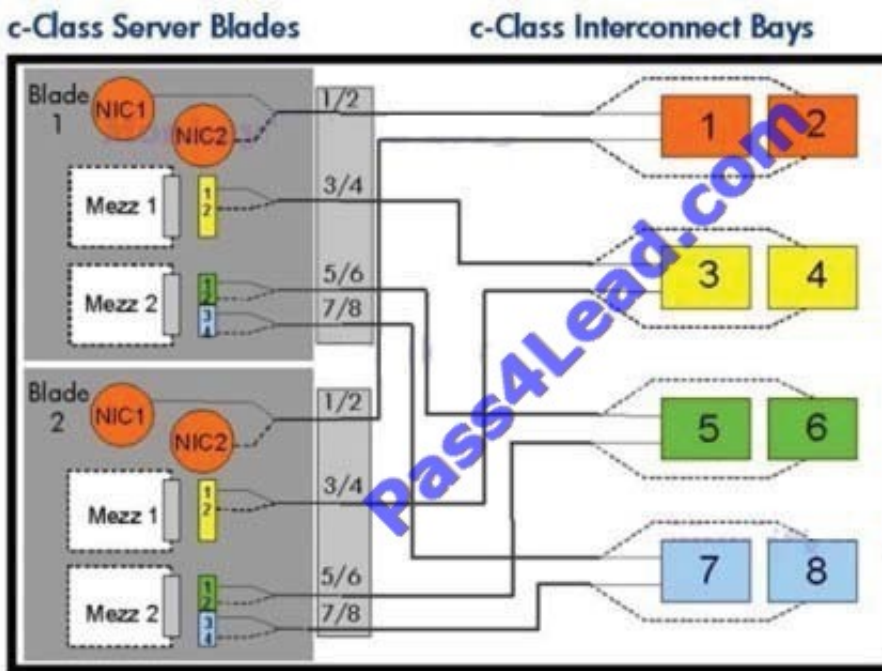
are Dual Ported and their signals can only route out of ports #1 and #2 even when they are installed in a Mezz slot with 4

signal paths... There is NO WAY to alter this...

So, if we assume the question is aimed at a c7000 enclosure then:

A FC HBA installed in Mezzanine #2 would route signals to Interconnect Bays 5 and 6 on a c7000 enclosure.

Figure 8: Redundant connection of half-height server blades to the interconnect bays in the c7000 enclosure

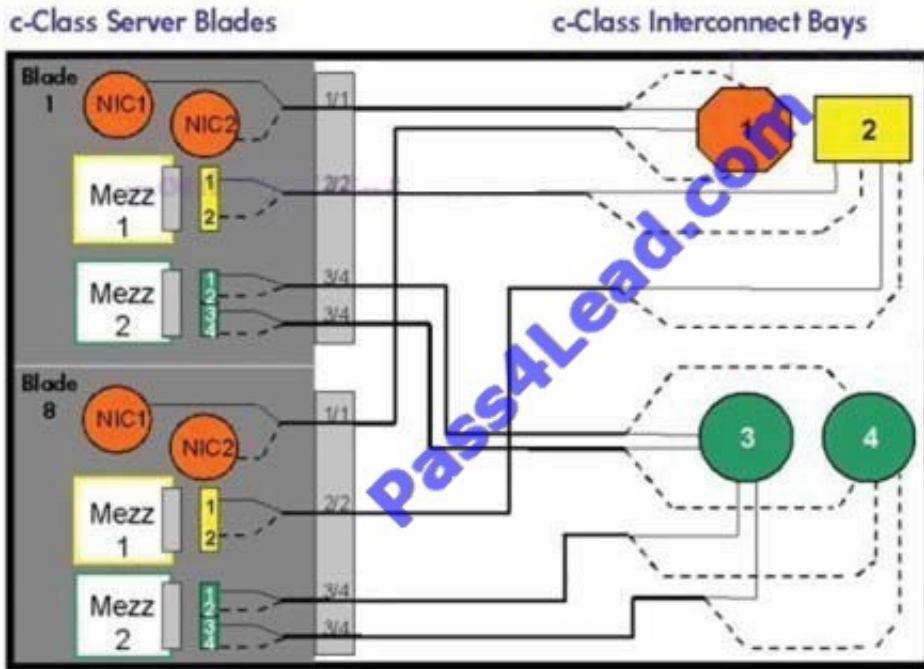


However, if we assume the question is aimed at a c3000 enclosure then:

A FC HBA installed in Mezzanine #2 would route signals to Interconnect Bays 3 and 4 on a c3000 enclosure.



Figure 9: Connection of half-height server blades to the interconnect bays in the BladeSystem c3000 enclosure



[HP0-S35 VCE Dumps](#)

[HP0-S35 Practice Test](#)

[HP0-S35 Study Guide](#)



To Read the [Whole Q&As](#), please purchase the [Complete Version](#) from [Our website](#).

Try our product !

100% Guaranteed Success

100% Money Back Guarantee

365 Days Free Update

Instant Download After Purchase

24x7 Customer Support

Average 99.9% Success Rate

More than 800,000 Satisfied Customers Worldwide

Multi-Platform capabilities - [Windows](#), [Mac](#), [Android](#), [iPhone](#), [iPod](#), [iPad](#), [Kindle](#)

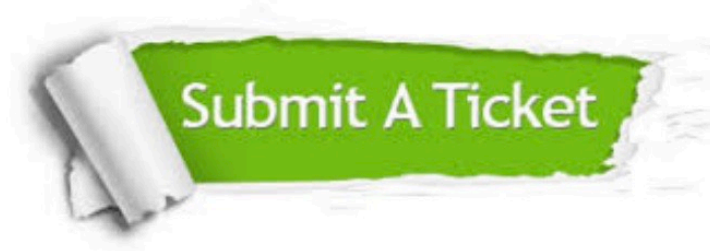
We provide exam PDF and VCE of Cisco, Microsoft, IBM, CompTIA, Oracle and other IT Certifications. You can view Vendor list of All Certification Exams offered:

<https://www.pass4lead.com/allproducts>

Need Help

Please provide as much detail as possible so we can best assist you.

To update a previously submitted ticket:



 <p>One Year Free Update Free update is available within One Year after your purchase. After One Year, you will get 50% discounts for updating. And we are proud to boast a 24/7 efficient Customer Support system via Email.</p>	 <p>Money Back Guarantee To ensure that you are spending on quality products, we provide 100% money back guarantee for 30 days from the date of purchase.</p>	 <p>Security & Privacy We respect customer privacy. We use McAfee's security service to provide you with utmost security for your personal information & peace of mind.</p>
---	---	--

Any charges made through this site will appear as Global Simulators Limited.

All trademarks are the property of their respective owners.

Copyright © pass4lead, All Rights Reserved.