

# HP2-Z30<sup>Q&As</sup>

Fast Track - Applying HP FlexNetwork Fundamentals

## Pass HP HP2-Z30 Exam with 100% Guarantee

Free Download Real Questions & Answers **PDF** and **VCE** file from:

<https://www.pass2lead.com/hp2-z30.html>

100% Passing Guarantee  
100% Money Back Assurance

Following Questions and Answers are all new published by HP Official Exam Center

- ⚙️ **Instant Download** After Purchase
- ⚙️ **100% Money Back** Guarantee
- ⚙️ **365 Days** Free Update
- ⚙️ **800,000+** Satisfied Customers



**QUESTION 1**

What are the correct factory default settings when the HP Comware and Provision switches are originally booted?

- A. Provision and Comware switches have Telnet enabled.
- B. Provision and Comware switches have all Layer 2 interfaces disabled.
- C. Provision and Comware switches have default passwords defined.
- D. Provision and Comware switches have Layer 3 switching disabled.

Correct Answer: D

---

**QUESTION 2**

Which command defines a default route on an HP Provision switch when routing has been enabled?

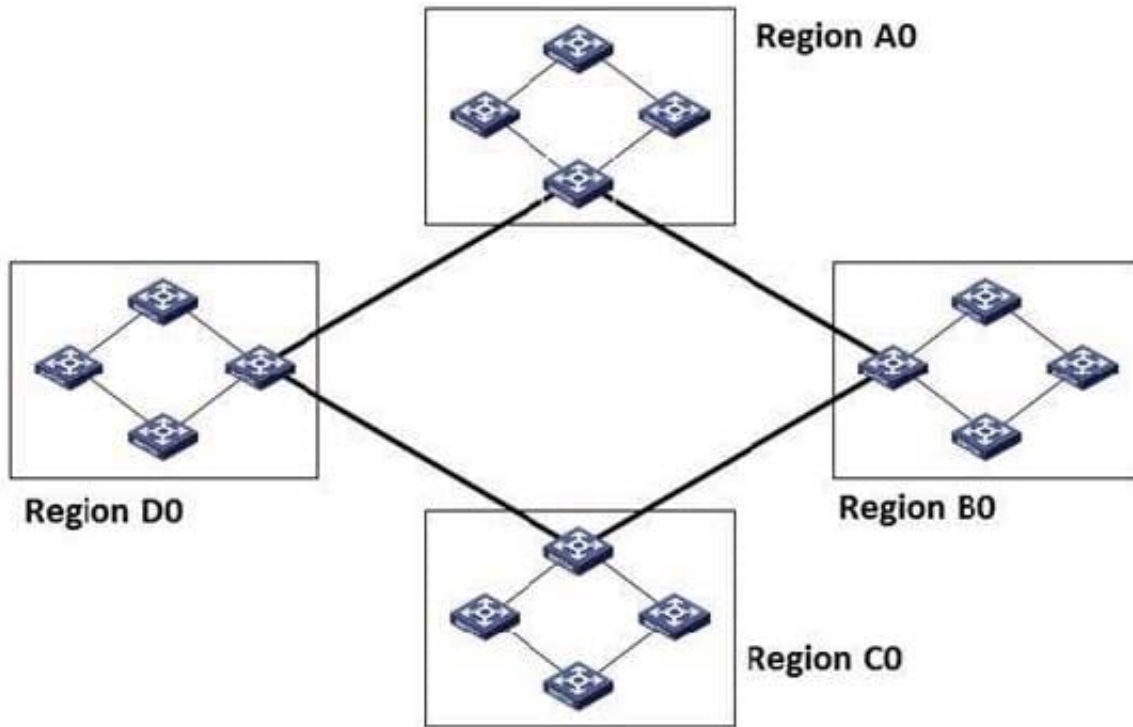
- A. ip route 0.0.0.0/0 10.1.1.1
- B. iP route 0.0.0.0/32 10.1.1.1
- C. ip route 0.0.0.0 0 10.1.1.1
- D. ip default-gateway 10.1.1.1

Correct Answer: A

---

**QUESTION 3**

Refer to the network exhibit.



The network shown in the exhibit is comprised of four MSTP regions that are interconnected. Based on this topology, which statement is true?

- A. PVST should be used instead of MSTP.
- B. A routing solution must be used between MSTP regions when more than one region exists.
- C. An optimized topology can be created using MSTP between the regions.
- D. The switches are running the equivalent of RSTP between the regions.

Correct Answer: D

#### QUESTION 4

A network administrator has installed IMC and the appropriate licenses. The network administrator is attempting to import the HP Comware and HP ProVision switches into IMC but is experiencing problems importing the Comware switches. The network administrator verifies the SNMPv2c configuration on both sets of switches and the SNMP configuration in IMC. The SNMP parameters are correct.

What is the cause of the import problem?

- A. Comware switches implement SNMPv3 by default.
- B. Comware switches require SSH to be configured for remote CLI access.
- C. Comware switches are not fully supported by IMC.
- D. Comware switches do not have telnet fully configured.

Correct Answer: D

---

**QUESTION 5**

When performing auto discovery with Intelligent Management Center (IMC), which two components should be defined in order to fully manage the discovered networking devices?

- A. SNMP and syslog
- B. telnet and SSH
- C. SSH and TFTP
- D. SNMP and telnet

Correct Answer: D

[HP2-Z30 VCE Dumps](#)

[HP2-Z30 Practice Test](#)

[HP2-Z30 Study Guide](#)