

# JN0-343<sup>Q&As</sup>

Juniper Networks Certified Internet Specialist (JNCIS-ENT)

## Pass Juniper JN0-343 Exam with 100% Guarantee

Free Download Real Questions & Answers **PDF** and **VCE** file from:

<https://www.pass2lead.com/jn0-343.html>

100% Passing Guarantee  
100% Money Back Assurance

Following Questions and Answers are all new published by Juniper  
Official Exam Center

- ⚙️ **Instant Download** After Purchase
- ⚙️ **100% Money Back** Guarantee
- ⚙️ **365 Days** Free Update
- ⚙️ **800,000+** Satisfied Customers



**QUESTION 1**

You notice that there are currently two MAC addresses associated with a single access port in the bridge table on one of your EX Series switches.

What are two explanations for this behavior? (Choose two.)

- A. The access port connects to an IP phone which connects to a host device.
- B. The native VLAN feature has been associated with the access port.
- C. The mac-move-limit feature has been disabled on the access port.
- D. The access port connects to multiple hosts through a rogue device.

Correct Answer: AD

**QUESTION 2**

Router Name	Router ID	Interface IP	Priority
R1	192.168.1.1	172.16.1.254	240
R2	192.168.1.2	172.16.1.253	240
R3	192.168.1.3	172.16.1.252	0
R4	192.168.1.4	172.16.1.251	0
R5	192.168.1.5	172.16.1.250	128
R6	192.168.1.6	172.16.1.249	250

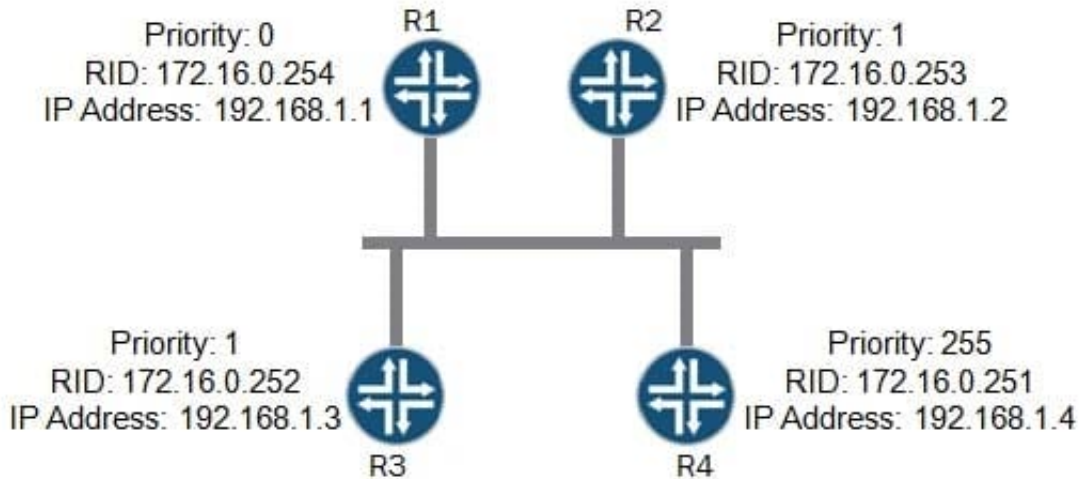
In the exhibit, six routers (R1, R2, R3, R4, R5, and R6) are attached to a single Ethernet

LAN and configured with addresses in the same subnet. All devices boot at the same time. Which router will become the designated router (DR), and which router will become the backup designated router (BDR)?

- A. DR:R3 BDR: R4
- B. DR: R4 BDR: R3
- C. DR: R6 BDR: R1
- D. DR: R6 BDR: R2

Correct Answer: D

**QUESTION 3**



All OSPF routers shown in the exhibit booted at the same time, and the network has stabilized.

How many adjacencies does R1 have?

- A. 0
- B. 1
- C. 2
- D. 3

Correct Answer: C

**QUESTION 4**

Which three statements are correct about the voice VLAN feature? (Choose three.)

- A. It can be used with LLDP-MED to dynamically assign the VLAN ID value to IP phones.
- B. It must use the same VLAN ID as data traffic on a defined interface.
- C. It allows you to apply independent CoS actions to data and voice packets.
- D. It allows trunk ports to accept tagged voice and untagged data packets.
- E. It allows the access port to accept tagged voice and untagged data packets.

Correct Answer: ACE

**QUESTION 5**

Router Name	Router ID	Interface IP	Priority
R1	192.168.1.1	172.16.1.254	240
R2	192.168.1.2	172.16.1.253	240
R3	192.168.1.3	172.16.1.252	0
R4	192.168.1.4	172.16.1.251	0
R5	192.168.1.5	172.16.1.250	128
R6	192.168.1.6	172.16.1.249	250

Five routers (R1, R2, R3, R4, and R5) are attached to a single Ethernet LAN and configured with addresses in the same subnet. R1 is chosen as the designated router (DR) and R2 is chosen as the backup designated router (BDR). You add R6 and configure it as shown in the exhibit. Which routers are now the DR and BDR?

- A. DR:R1 BDR: R2
- B. DR: R6 BDR: R1
- C. DR: R6 BDR: R2
- D. DR: R1 BDR: R6

Correct Answer: A