

# JN0-643<sup>Q&As</sup>

Enterprise Routing and Switching, Professional (JNCIP-ENT)

## Pass Juniper JN0-643 Exam with 100% Guarantee

Free Download Real Questions & Answers **PDF** and **VCE** file from:

<https://www.pass2lead.com/jn0-643.html>

100% Passing Guarantee  
100% Money Back Assurance

Following Questions and Answers are all new published by Juniper  
Official Exam Center

- ⚙️ **Instant Download** After Purchase
- ⚙️ **100% Money Back** Guarantee
- ⚙️ **365 Days** Free Update
- ⚙️ **800,000+** Satisfied Customers



**QUESTION 1**

```
-- Exhibit -user@switch> show configuration access radius_server {  
  
10.1.1.252 {  
  
port 1812;  
  
secret "$9$7gdwgGDkTz6oJz69A1INdb"; ## SECRET-DATA  
  
}  
  
profile radius_server {  
  
authentication-order password;  
  
radius {  
  
authentication-server 10.1.1.252;  
  
}  
  
}  
  
user@switch> show configuration protocols dot1x  
  
authenticator {  
  
ge-0/0/17.0 {  
  
supplicant multiple;  
  
}  
  
}  
  
}  
  
user@switch> show configuration vlans  
  
Sales_VLAN {  
  
vlan-id 123;  
  
}  
  
user@switch> show configuration interfaces ge-0/0/17 unit 0 { family ethernet-switching {  
  
port-mode access;  
  
}  
  
}  
  
-- Exhibit -
```

Click the Exhibit button.

You are asked to place employees that are in the sales group into their own VLAN called Sales\_VLAN with a VLAN ID of 123 on port ge-0/0/17. The VLAN must be assigned dynamically. After trying an initial configuration, you see that users

in the sales group are not assigned to the Sales\_VLAN.

Referring to the exhibit, which two configuration statements are needed on the EX Series switch to resolve this problem? (Choose two.)

- A. set access profile radius\_server authentication-order radius
- B. set vlans Sales\_VLAN interface ge-0/0/17.0
- C. set interfaces ge-0/0/17.0 family ethernet-switching vlan members Sales\_VLAN
- D. set protocols dot1x authenticator authentication-profile-name radius\_server

Correct Answer: AD

---

## QUESTION 2

-- Exhibit -

```
user@R1> show configuration protocols pim rp
```

```
local {  
address 192.168.3.1;  
}
```

```
auto-rp discovery;
```

```
static {  
address 192.168.5.1;  
}
```

```
user@R1> show route 192.168.0.0/16
```

```
inet.0: 18 destinations, 21 routes (18 active, 0 holddown, 0 hidden) + = Active Route, - = Last Active, * = Both
```

```
192.168.2.1/32 *[Direct/0] 3w4d 04:58:14
```

```
> via lo0.0
```

```
192.168.5.1/32 *[OSPF/10] 00:52:25, metric 1
```

```
> via lt-0/0/0.0
```

```
192.168.10.1/32 *[OSPF/10] 00:48:06, metric 1
```

> via It-0/0/0.2

192.168.50.1/32 \*[OSPF/10] 00:48:06, metric 1

> via It-0/0/0.4

-- Exhibit -

Click the Exhibit button.

Router R1 in the exhibit is receiving auto-RP announce messages specifying an RP of 192.168.10.1 and BSR messages specifying an RP-set with an RP of 192.168.50.1.

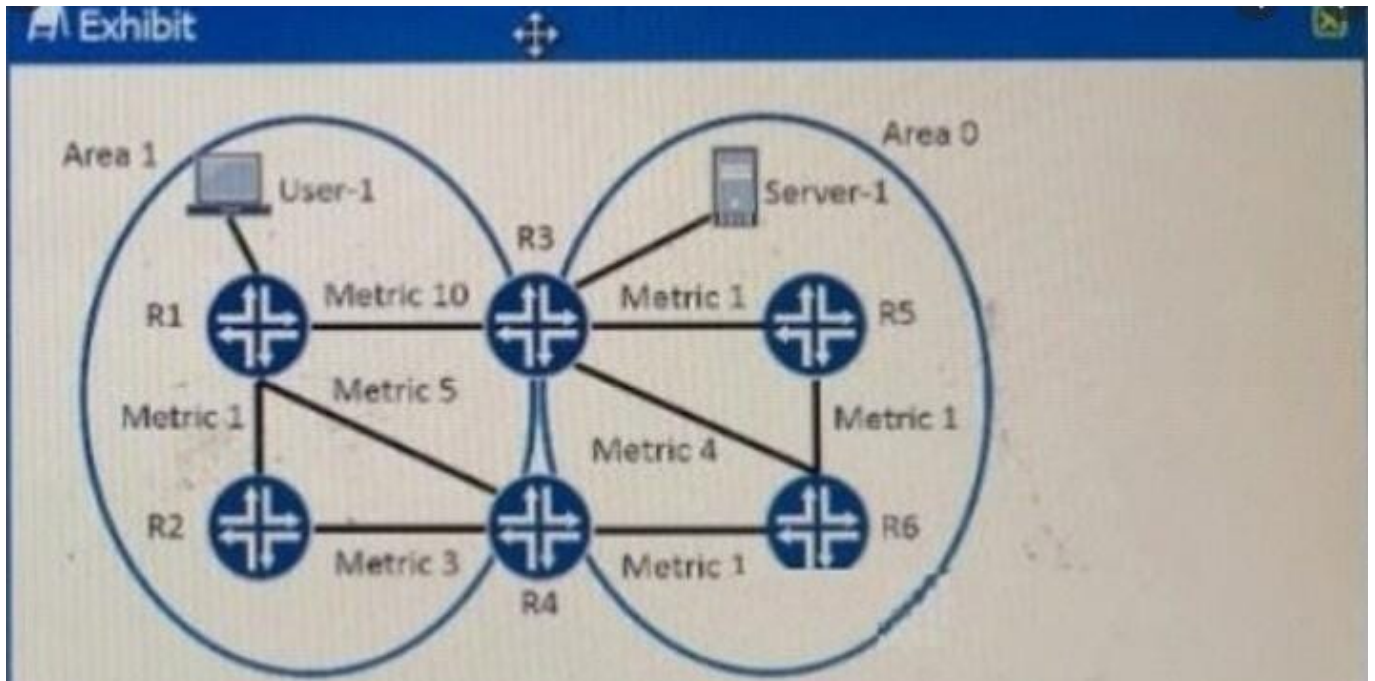
Which address will R1 use as the RP for traffic destined to the 224.1.1.1 multicast group?

- A. 192.168.3.1
- B. 192.168.5.1
- C. 192.168.10.1
- D. 192.168.50.1

Correct Answer: D

**QUESTION 3**

Referring to the exhibit, R2 is exporting the route for server1 as a Type 2 external route and R6 is exporting the route for server 1 as a type 1 external route in OSPF. Which path is taken to reach server-1 from user1?



- A. R1>R3>R6

- B. R1>R2
  - C. R1>R4>R6
  - D. R1>R2>R4>R6
- Correct Answer: D

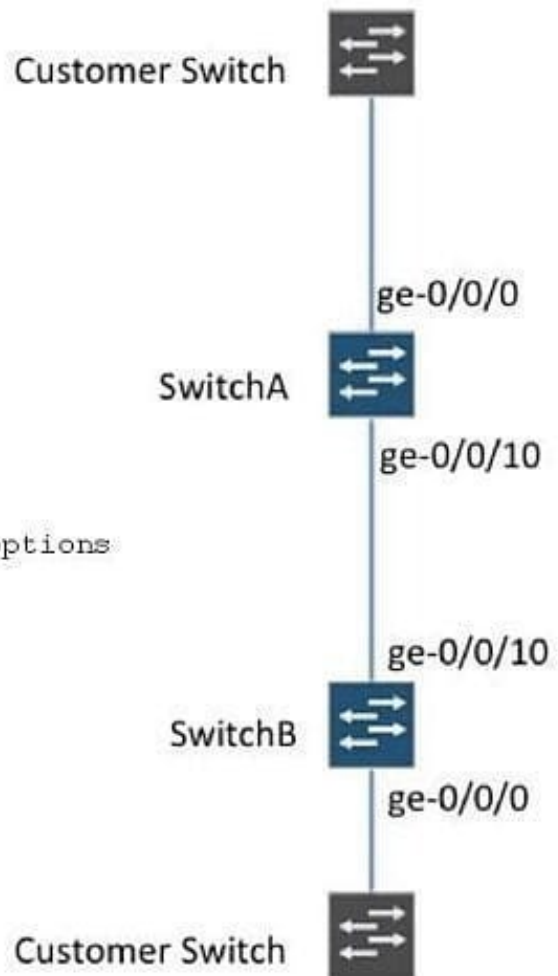
**QUESTION 4**

-- Exhibit -- Exhibit -

```
user@SwitchA# show vlans qinqvlan
vlan-id 4001;
interface {
    ge-0/0/0.0;
    ge-0/0/10.0;
}
dot1q-tunneling {
    customer-vlans [ 100 200 300 ];
}

user@SwitchA# show ethernet-switching-options
dot1q-tunneling {
    ether-type 0x9100;
}

user@SwitchB# show vlans qinqvlan
vlan-id 4001;
dot1q-tunneling;
```



Click the Exhibit button.

Referring to the exhibit, a customer noticed that the 802.1Q-tunneled packets received on SwitchB are being dropped.

What is causing this problem?

- A. There is an ether-type mismatch on SwitchA and SwitchB.

- B. Customer VLANs are not configured on SwitchB.
- C. The SwitchB interface connecting to SwitchA is not a trunk port.
- D. Customer VLANs are mismatched on both switches.

Correct Answer: A

---

**QUESTION 5**

Which protocol is a multicast protocol?

- A. OSPF
- B. BGP
- C. PIM
- D. IS-IS

Correct Answer: C

[Latest JN0-643 Dumps](#)

[JN0-643 VCE Dumps](#)

[JN0-643 Braindumps](#)