

JN0-643^{Q&As}

Enterprise Routing and Switching, Professional (JNCIP-ENT)

Pass Juniper JN0-643 Exam with 100% Guarantee

Free Download Real Questions & Answers **PDF** and **VCE** file from:

<https://www.pass2lead.com/jn0-643.html>

100% Passing Guarantee
100% Money Back Assurance

Following Questions and Answers are all new published by Juniper
Official Exam Center

- ⚙️ **Instant Download** After Purchase
- ⚙️ **100% Money Back** Guarantee
- ⚙️ **365 Days** Free Update
- ⚙️ **800,000+** Satisfied Customers



QUESTION 1

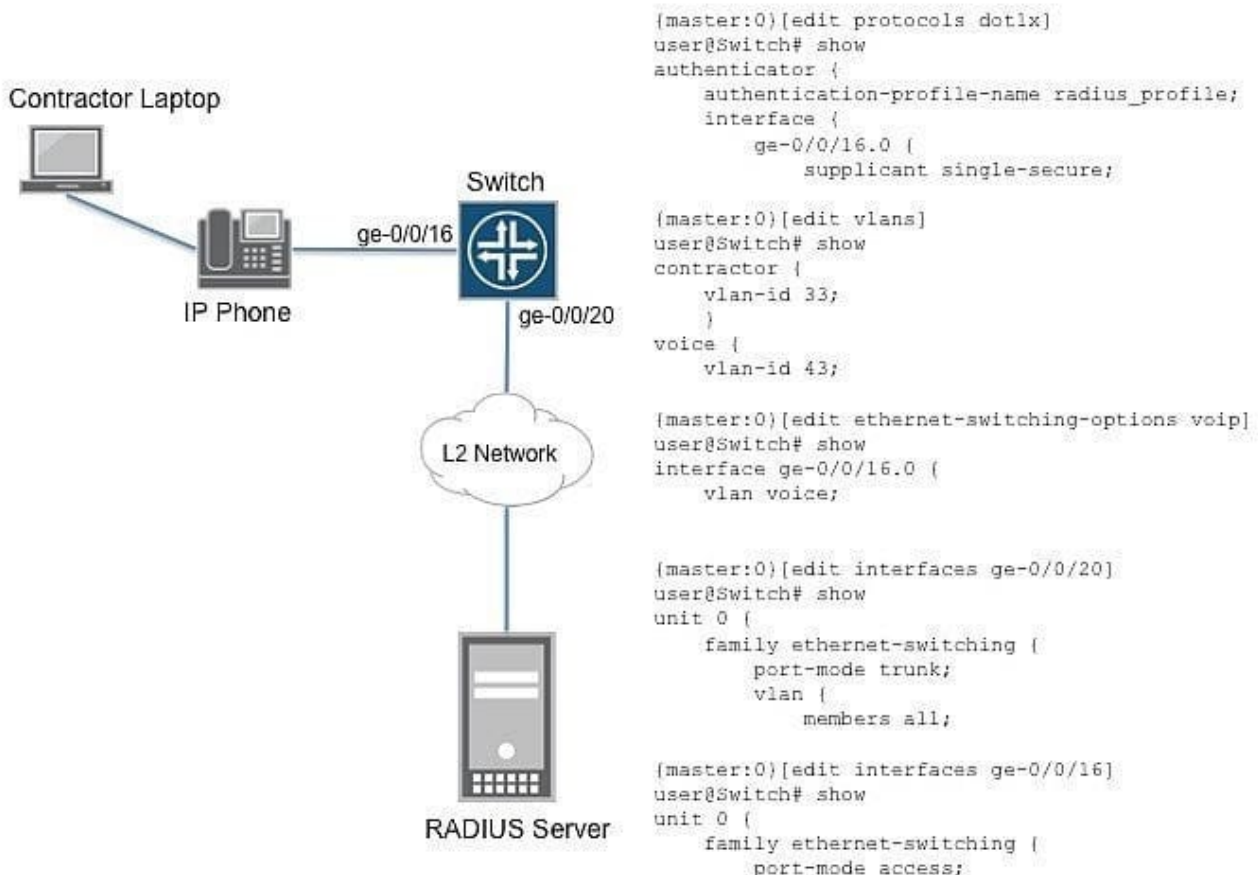
Which statement is correct regarding the isolated ports?

- A. isolated ports are trunk ports that have layer 2 connectivity with all other ports
- B. isolated port are access ports that only have layer 2 connectivity with other isolated port
- C. isolated port are access port that only have layer 2 connectivity with promousious ports
- D. isolated port are trunk ports that have layer 2 connectivity with all community ports

Correct Answer: C

QUESTION 2

-- Exhibit



-- Exhibit -

Click the Exhibit button.

A contractor needs to connect a laptop to your company network, but your company has no wireless access and each office has only a single network port for an employee laptop. You have an IP phone with a data port available and you have access to the switch connected to it. You can also add the contractor's MAC address to the RADIUS server database.

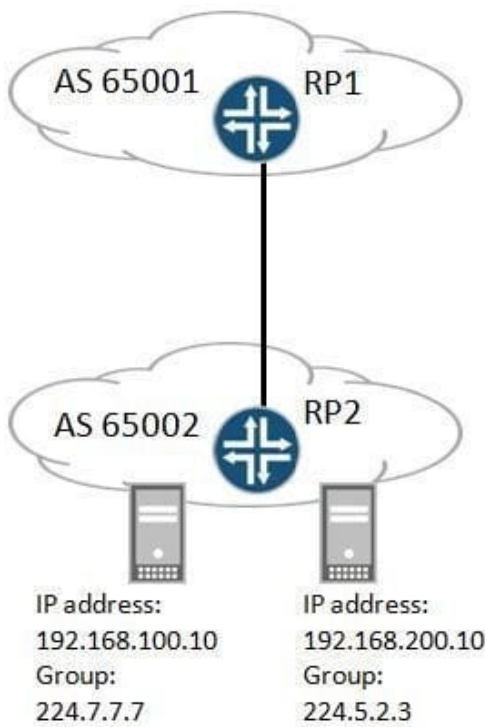
Referring to the exhibit, which three commands will allow access? (Choose three.)

- A. set protocols dot1x authenticator authentication-profile-name radius_profile interface ge- 0/0/16.0 mac- radius
- B. set interfaces ge-0/0/16.0 family ethernet-switching port-mode trunk
- C. set interfaces ge-0/0/16.0 family ethernet-switching vlan members contractor
- D. set protocols dot1x authenticator authentication-profile-name radius_profile interface ge- 0/0/16.0 supplicant multiple
- E. set interfaces ge-0/0/16.0 family ethernet-switching vlan members all

Correct Answer: ACD

QUESTION 3

-- Exhibit



```
[edit]
user@RP2#show policy-options
policy-statement block-SA-import {
  term block {
    from {
      route-filter 224.7.7.7/32 exact;
      source-address-filter 192.168.100.10/32 exact;
    }
    then reject;
  }
  term accept-all {
    then accept;
  }
}

[edit]
user@RP2# show protocols msdp
group AS65001 {
  local-address 192.168.1.2;
  peer 192.168.1.1;
  export block-SA-import;
}
```

-- Exhibit -

Click the Exhibit button.

Referring to the configuration shown in the exhibit, which statement is true?

- A. RP2 stops sending all SA messages to its peer.
- B. RP1 stops sending all SA messages to its peer.
- C. RP2 stops sending SA messages for the group 224.7.7.7 from source 192.168.100.10 to RP1.
- D. RP1 stops sending SA messages for the group 224.7.7.7 from source 192.168.100.10 to RP2.

Correct Answer: C

QUESTION 4

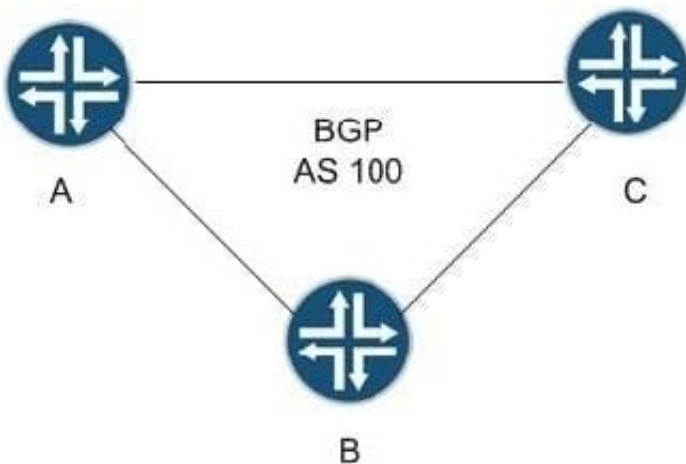
Which statement describes 802.1x supplicant single modes?

- A. 802.1x supplicant single mode permit access for the first supplicant, all other applicants that connect to the port are allowed full access without further authentication
- B. 802.1x supplicant single mode allows all supplicant to connect to the port,each supplicant is authenticated individually
- C. 802.1x supplicant single mode permits access for a single supplicant,all other supplicants attempting to connect through the same port are denied access
- D. 802.1x supplicant single mode allows only one supplicant to connect to the port,no other supplicant is allowed to connect until the first supplicant disconnects

Correct Answer: A

QUESTION 5

-- Exhibit



-- Exhibit -Click the Exhibit button.

Referring to the exhibit, routers A, B, and C are in the same BGP AS 100. Router A prefers to route traffic through Router C.

Which BGP attribute would you configure to ensure this behavior?

- A. as-path-prepend
- B. local-preference
- C. metric
- D. weight

Correct Answer: B

[JN0-643 VCE Dumps](#)

[JN0-643 Practice Test](#)

[JN0-643 Exam Questions](#)