

JN0-692^{Q&As}

Service Provider Routing and Switching Support, Professional

Pass Juniper JN0-692 Exam with 100% Guarantee

Free Download Real Questions & Answers **PDF** and **VCE** file from:

<https://www.pass2lead.com/jn0-692.html>

100% Passing Guarantee
100% Money Back Assurance

Following Questions and Answers are all new published by Juniper
Official Exam Center

- ⚙️ **Instant Download** After Purchase
- ⚙️ **100% Money Back** Guarantee
- ⚙️ **365 Days** Free Update
- ⚙️ **800,000+** Satisfied Customers



QUESTION 1

You are adding nonforwarding route reflectors to your network. Which three actions ensure that VPN routes are advertised properly? (Choose three.)

- A. Use rib-groups to add IGP routes to inet.3 and/or inet6.3 on the route reflectors.
- B. Add MPLS LSPs between the route reflectors and their client routers.
- C. Add the route reflectors to the same IGP domain as their clients.
- D. Use rib-groups to add VPN routes to inet.0 and/or inet6.0 on the route reflectors.
- E. Add a static default route to inet.3 and/or inet6.3 on the route reflectors.

Correct Answer: ABE

QUESTION 2

Click the Exhibit button.

```
[edit protocols mpls]
user@Eoston# show
label-switched-path Boston-to-Seattle {
    to 192.168.10.100;
    bandwidth 6g;
    priority 5 4;
}
label-switched-path Boston-to-Denver {
    to 192.168.10.200;
    bandwidth 6g;
    priority 4 4;
}
...
```

A network administrator has configured the LSPs shown in the exhibit on the ingress router of a 10-Gigabit Ethernet

network

Which statement is true?

- A. Both LSPs will establish and remain established.
- B. The Boston-to-Denver LSP will establish and remain established.
- C. The Boston-to-Seattle LSP will establish and remain established.
- D. Neither LSP will remain established.

Correct Answer: B

QUESTION 3

Click the Exhibit button.

```
user@router# show routing-options multicast
scope 1 {
  prefix 224.0.1.39/32;
  interface fe-0/0/0.0;
}
```

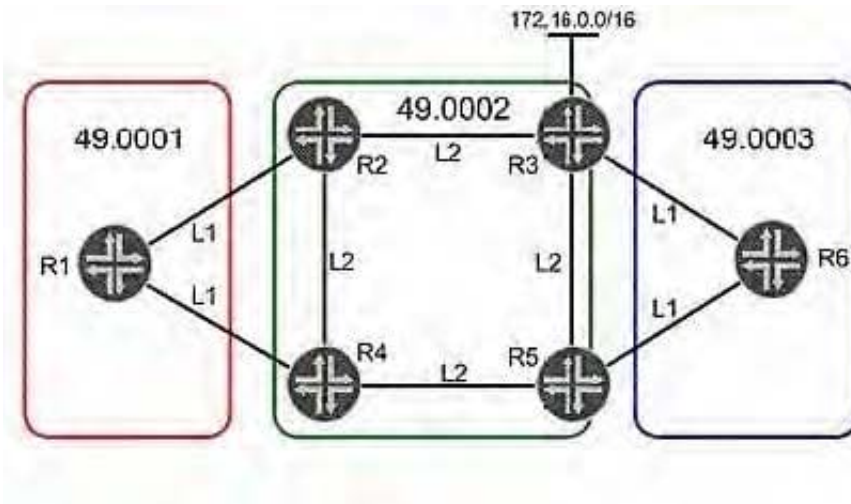
Referring to the exhibit, which statement is correct?

- A. Only multicasts packets (224.0.1.39) are allowed on the input and output direction.
- B. Auto-RP discovery messages are filtered in the input and output direction.
- C. Rendezvous point announcements are filtered in the output direction.
- D. This filter does not work because the input or output parameter is missing.

Correct Answer: C

QUESTION 4

Click the Exhibit button.



The IGP is IS-IS. Routes from R1 need to be present on R6. Referring to the exhibit, what will accomplish this task?

- A. Create an L1 adjacency between R2 and R3 to allow the routes to pass through to R6.
- B. Use policy on R3 to leak R1's routes from L2 to L1.
- C. Change the area address from 49.0003 to 49.0001 on R6 to allow R6 to accept routes from R1.
- D. Use policy on R2 to leak R1's routes from L1 to L2.

Correct Answer: B

QUESTION 5

You have been asked to make a configuration which inherits the statements in a predefined configuration group. What will accomplish this?

- A.

```
grups {  
    group-name {  
        configuration-data;  
    }  
}
```
- B.

```
apply-groups <apply-group-name>;
```
- C.

```
apply-macro <apply-macro-name>;
```
- D.

```
event-options {  
    event-script {  
        file file-name;  
    }  
}
```

A. Option A

B. Option B

C. Option C

D. Option D

Correct Answer: B

[Latest JN0-692 Dumps](#)

[JN0-692 Practice Test](#)

[JN0-692 Braindumps](#)