

DEA-5TT1^{Q&As}

Associate - Networking Exam

Pass EMC DEA-5TT1 Exam with 100% Guarantee

Free Download Real Questions & Answers **PDF** and **VCE** file from:

<https://www.pass2lead.com/dea-5tt1.html>

100% Passing Guarantee
100% Money Back Assurance

Following Questions and Answers are all new published by EMC
Official Exam Center

-  **Instant Download** After Purchase
-  **100% Money Back** Guarantee
-  **365 Days** Free Update
-  **800,000+** Satisfied Customers



QUESTION 1

Which IEEE standard defines the Data Link Layer, Discovery protocol?

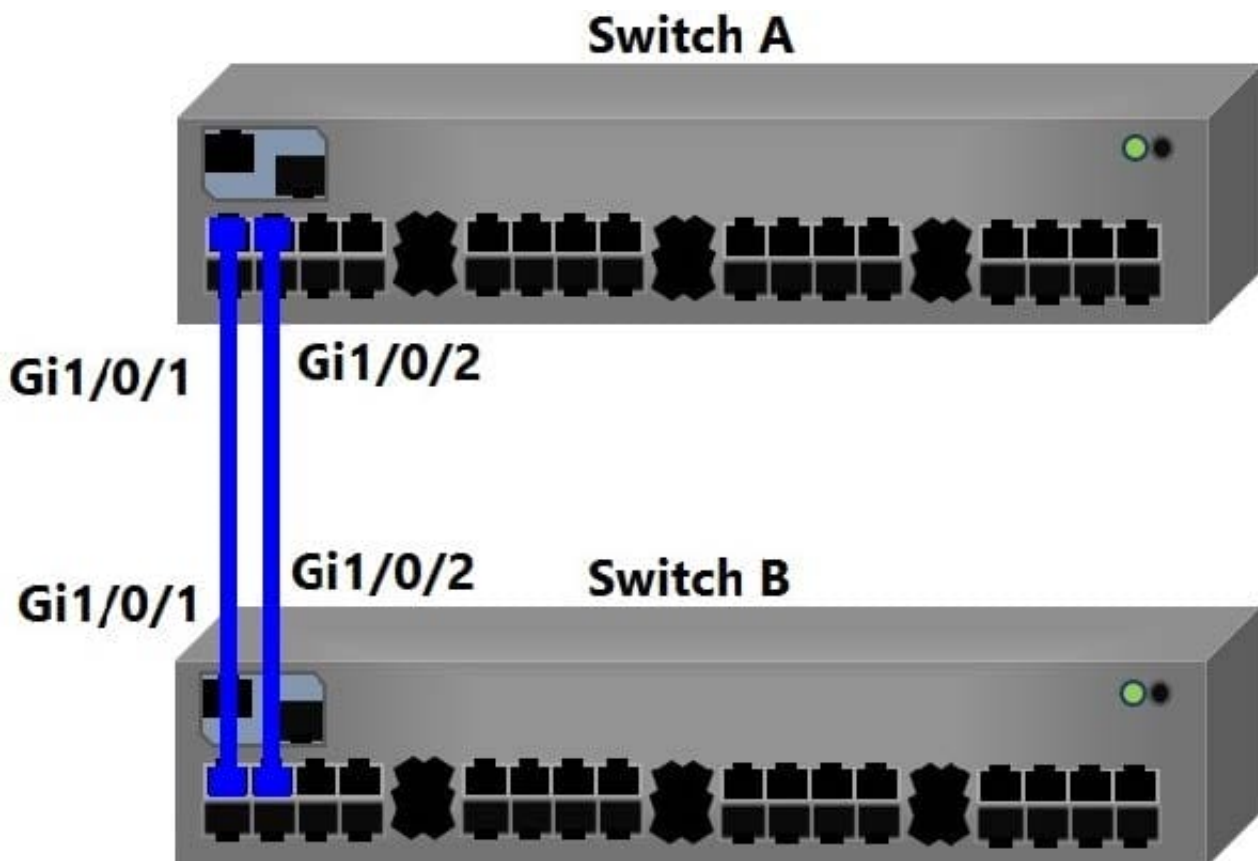
- A. 802.1AB
- B. 802.1AX
- C. 802.1D
- D. 802.1W

Correct Answer: A

Reference: http://www.ieee802.org/3/frame_study/0409/blatherwick_1_0409.pdf

QUESTION 2

Refer to the exhibit.



Switch A and Switch B are connected to each other. Both switches use interfaces Gi1/0/1 and Gi1/0/2. Switch A has a Spanning Tree priority of 8192 and Switch B has the default priority. Which interface becomes the root port?

- A. Switch A Gi1/0/1

- B. Switch A Gi1/0/2
- C. Switch B Gi1/0/1
- D. Switch B Gi1/0/2

Correct Answer: A

QUESTION 3

What is the aggregated lanes\' maximum speed rating for a QSFP28 transceiver?

- A. 4 Gbps
- B. 40 Gbps
- C. 112 Gbps
- D. 128 Gbps

Correct Answer: C

QUESTION 4

Which port and protocol is used by NTP to communicate?

- A. TCP port 123 for both the source and destination
- B. TCP port 123 for the source and TCP port 80 for the destination
- C. UDP port 123 for both the source and destination
- D. UDP port 123 for the source and TCP port 80 for the destination

Correct Answer: C

QUESTION 5

What accurately describes the Network Time Protocol (NTP)?

- A. Implemented on a Dell EMC Network OS 6.
- B. Time synchronization algorithms do not account for clock drift.
- C. Client synchronizes among a set of distributed time servers.
- D. Client makes sudden changes in time to keep synchronized.

Correct Answer: C

[DEA-5TT1 PDF Dumps](#)

[DEA-5TT1 VCE Dumps](#)

[DEA-5TT1 Exam Questions](#)