

HPE2-Z39^{Q&As}

Fast Track - Applying Aruba Switching Fundamentals for Mobility

Pass HP HPE2-Z39 Exam with 100% Guarantee

Free Download Real Questions & Answers **PDF** and **VCE** file from:

<https://www.pass2lead.com/hpe2-z39.html>

100% Passing Guarantee
100% Money Back Assurance

Following Questions and Answers are all new published by HP Official Exam Center

- ⚙️ **Instant Download** After Purchase
- ⚙️ **100% Money Back** Guarantee
- ⚙️ **365 Days** Free Update
- ⚙️ **800,000+** Satisfied Customers



QUESTION 1

An ArubaOS switch has an LACP link aggregation with two links. How does the switch balance traffic over the links?

- A. It assigns the first conversation (as defined by the load-balancing algorithm) to the first link, the second conversation to the second link, and so on, in a round-robin fashion.
- B. It assigns the first packet to the first link, the second packet to the second link, and so on, in a round-robin fashion.
- C. It assigns all traffic to the first link until the link reaches a bandwidth threshold; it then assigns traffic to the second link.
- D. It assigns each conversation (as defined by the load-balancing algorithm) to a consistent link, based on a hash.

Correct Answer: B

QUESTION 2

Refer to the exhibit.

```
Switch# show ip route
```

| Destination | Gateway | IP Route Entries | | | Metric | Dist. |
|---------------|------------|------------------|-----------|-----------|--------|-------|
| | | VLAN | Type | Sub-Type | | |
| 10.1.4.0/24 | VLAN4 | 4 | connected | | 1 | 0 |
| 10.1.8.0/24 | 10.1.101.1 | 101 | ospf | IntraArea | 3 | 110 |
| 10.1.12.0/24 | 10.1.104.2 | 104 | ospf | IntraArea | 3 | 110 |
| 10.1.101.0/24 | VLAN101 | 101 | connected | | 1 | 0 |
| 10.1.104.0/24 | VLAN104 | 104 | connected | | 1 | 0 |
| 127.0.0.0/8 | reject | | static | | 0 | 0 |
| 127.0.0.1/32 | lo0 | | connected | | 1 | 0 |

An ArubaOS switch has the routing table shown in the exhibit. A network administrator then enters this

command: Switch (config) # ip route 10.0.0.0/8 10.1.104.2

After the administrator enters this command, packets arrive that are destined for 10.1.8.8 and 10.1.8.13.

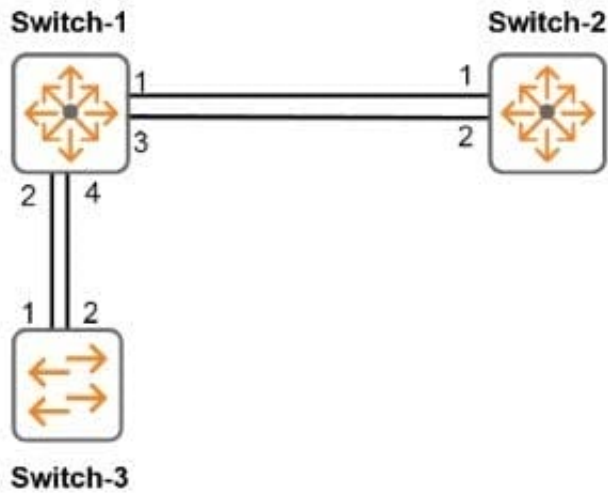
What does the switch do with this traffic?

- A. It load balances some of the traffic to 10.1.101.1 and some to 10.1.104.2.
- B. It forwards all of the traffic to 10.1.104.2.
- C. It drops the traffic.
- D. It forwards all of the traffic to 10.1.101.1.

Correct Answer: C

QUESTION 3

Refer to the exhibit.



A network administrator enters these commands and misconfigures the link aggregations:

```
Switch-1(config)# trunk 1-2 trk1 lacp
Switch-1(config)# trunk 3-4 trk2 lacp
Switch-2(config)# trunk 1-2 trk1 lacp
Switch-3(config)# trunk 1-2 trk1 lacp
```

Which behavior does Switch-1 exhibit on its link aggregations?

- A. It uses LACP to dynamically detect that ports 1 and 3 belong in trk 1, and ports 2 and 4 belong in trk2.
- B. It blocks one or both ports in each link aggregation due to errors detected by LACP.
- C. It sends an SNMP probe to Switch-2 and Switch-3 to determine whether it needs to shut down any of these ports.
- D. It load shares traffic on both ports in each LACP link aggregation, which leads to loops and network disruption.

Correct Answer: B

QUESTION 4

What is one characteristic of a spanning tree edge port on an ArubaOS switch?

- A. It ignores incoming BPDUs.
- B. It stays in Designated role during topology changes.
- C. It only forwards traffic in VLANs assigned to the instance 0 (1ST).
- D. It connects to a switch that runs MSTP but in a different region.

Correct Answer: B

QUESTION 5

Exhibit 2

```
VSF-Switch# show vsf trunk-designated-forwarder
```

Trunk Designated Forwarders

| NAME | TYPE | Member |
|------|------|--------|
| Trk1 | LACP | 1 |
| Trk2 | LACP | 2 |

A broadcast packet arrives tagged for VLAN 2 on the Member 2 link of Trk2. What does Member 2 do?

- A. It forwards the packet on its local link in Trk1.
- B. It forwards the packet over the VSF link to Member 1, and then Member 1 forwards the packet on its link in Trk1.
- C. It uses LACP to communicate with the commander on the VSF link, and then follows the commander directions.
- D. It uses a hash to select one of the links in Trk1, and then forwards the packet locally or on the VSF link, based on the decision.

Correct Answer: B

[HPE2-Z39 PDF Dumps](#)

[HPE2-Z39 VCE Dumps](#)

[HPE2-Z39 Braindumps](#)