

HPE6-A41^{Q&As}

Applying Aruba Switching Fundamentals for Mobility

Pass HP HPE6-A41 Exam with 100% Guarantee

Free Download Real Questions & Answers **PDF** and **VCE** file from:

<https://www.pass2lead.com/hpe6-a41.html>

100% Passing Guarantee
100% Money Back Assurance

Following Questions and Answers are all new published by HP Official Exam Center

- ⚙️ **Instant Download** After Purchase
- ⚙️ **100% Money Back** Guarantee
- ⚙️ **365 Days** Free Update
- ⚙️ **800,000+** Satisfied Customers



QUESTION 1

An ArubaOS switch operates at its factory default settings. A network administrator connects the switch to a VLAN with a DHCP server. The switch-to-switch connection carries untagged traffic. The administrator wants to use Telnet log in to the switch CLI.

How should the administrator contact the switch and log in?

- A. Contact the switch at its default IP address 172.16.0.254/24 and log in without entering a password.
- B. Contact the switch at its default IP address 192.168.1.1/24 and log in with the default password admin.
- C. Contact the switch at its DHCP-assigned IP address and log in without entering a password.
- D. Contact the switch at its DHCP-assigned IP address and log in with the default password aruba.

Correct Answer: C

QUESTION 2

A network administrator wants to download a configuration from an ArubaOS switch. The administrator does not have local access to the switch and wants to copy the configuration in a secure manner that prevents eavesdroppers from reading the configuration. Which two options can the administrator use to copy the configuration?

- A. SFTP and HTTPS
- B. ZModem and SFTP
- C. HTTPS and TFTP
- D. HTTPS and ZModem

Correct Answer: A

QUESTION 3

An ArubaOS switch is protected with a manager password. The network administrator wants to back up the configuration and apply it to other switches. The administrator wants the manager password to be available in both the saved and running configuration.

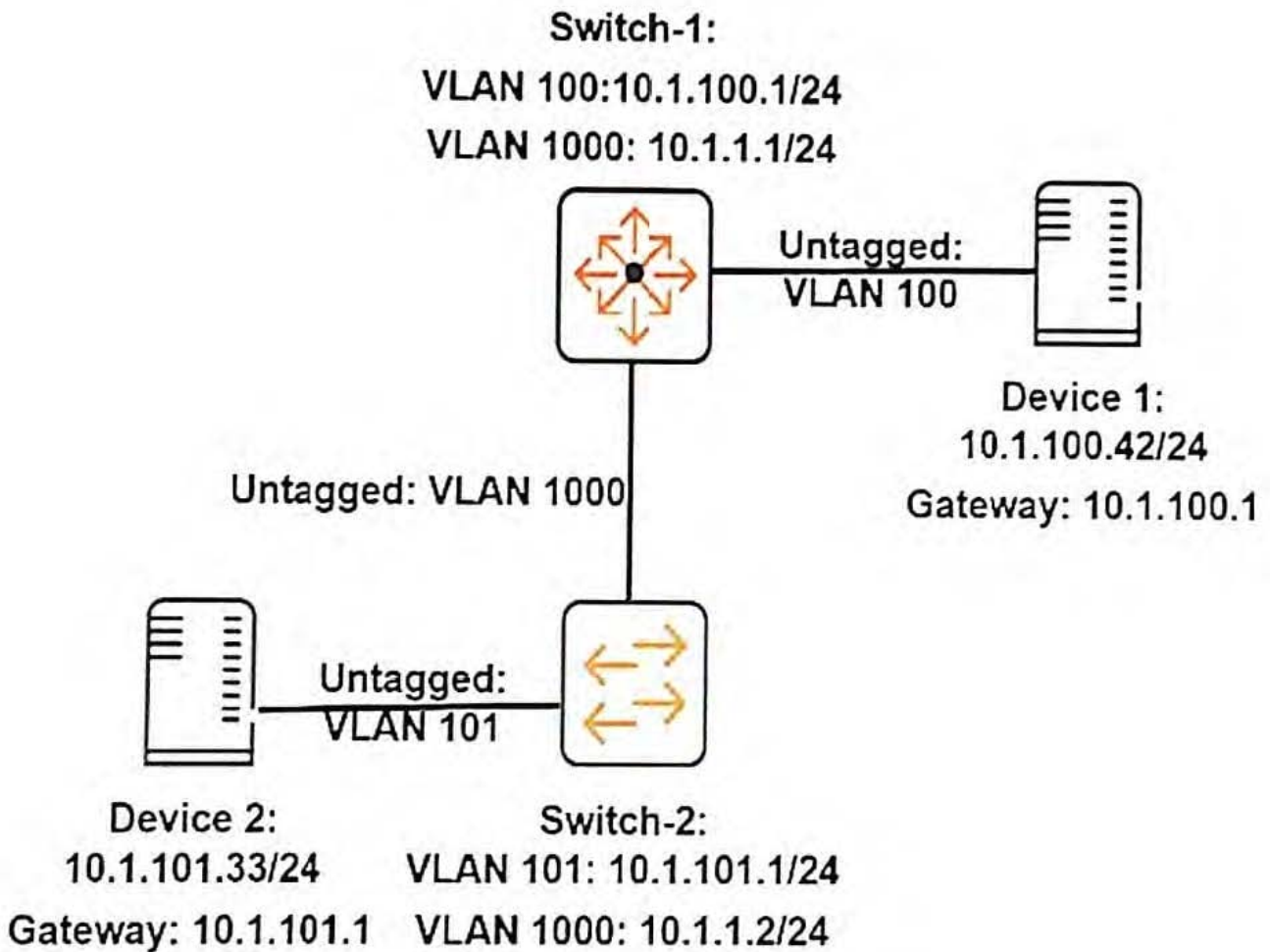
To accomplish this goal, what must the administrator do before the configuration is backed up?

- A. Enter the password command with the plaintext option.
- B. Configure an SSH keypair on the switch.
- C. Enter the include-credentials command.
- D. Ensure that the server to which the configuration will be backed up uses SCP as opposed to TFTP.

Correct Answer: C

QUESTION 4

Refer to the exhibit.



A network administrator executes this command on an ArubaOS switch, Switch-2:

```
Switch-2(config)# ip route 10.1.100.0/24 10.1.1.1
```

The administrator successfully pings Device 1 at 10.1.100.42 from Switch-2. However, Device 2 cannot ping Device 1.

The administrator confirms that Device 1 is correctly set up.

What should the administrator check on Switch-2 to resolve this issue?

- A. that ARP proxy is enabled
- B. that IP routing is enabled
- C. that spanning tree is disabled

D. that ICMP is enabled

Correct Answer: B

QUESTION 5

Which settings should match on physical interfaces before a network combines them in a link aggregation?

A. speed and duplex mode

B. DSCP and media

C. speed and VLANs

D. LLDP TLVs and VLANs

Correct Answer: A

[HPE6-A41 VCE Dumps](#)

[HPE6-A41 Practice Test](#)

[HPE6-A41 Exam Questions](#)