

HPE6-A41^{Q&As}

Applying Aruba Switching Fundamentals for Mobility

Pass HP HPE6-A41 Exam with 100% Guarantee

Free Download Real Questions & Answers **PDF** and **VCE** file from:

<https://www.pass2lead.com/hpe6-a41.html>

100% Passing Guarantee
100% Money Back Assurance

Following Questions and Answers are all new published by HP Official Exam Center

-  **Instant Download** After Purchase
-  **100% Money Back** Guarantee
-  **365 Days** Free Update
-  **800,000+** Satisfied Customers



QUESTION 1

A network administrator needs to set up a static LACP link aggregation. How should the administrator configure the VLAN settings for the link aggregation?

- A. Configure the VLANs on the physical interface with the lowest port ID before link aggregation setup.
- B. Configure the VLANs on both physical interfaces after link aggregation setup.
- C. Configure the VLANs on the link aggregation interface after the link aggregation setup.
- D. Configure the VLANs on both physical interfaces before link aggregation setup.

Correct Answer: A

QUESTION 2

Refer to the exhibit.

```
Switch#show ip route
```

IP Route Entries						
Destination	Gateway	VLAN	Type	Sub-Type	Metric	Dist.
0.0.0.0/24	10.1.0.3	101	static		1	1
10.1.0.0/24	VLAN100	100	connected		1	0
10.1.10.0/24	VLAN10	10	connected		1	0
127.0.0.0/8	reject		static		0	0
127.0.0.1/32	lo0		connected		1	0

Prior to implementing OSPF on the network, an ArubaOS switch had the IP routing table shown in the exhibit. The network administrator then sets up OSPF in the network. The switch calculates these OSPF routes to 10.1.20.0/24:

Through 10.1.0.1 with cost 3 and administrative distance 110 Through 10.1.0.2 with cost 3 and administrative distance 110

How does the way the switch handles traffic destined to 10.1.20.0/24 change with the introduction of OSPF?

- A. The switch stops sending the traffic to 10.1.0.3 and instead load balances it to 10.1.0.1 and 10.1.0.2.
- B. The switch no longer drops this traffic and instead load balances it to 10.1.0.1 and 10.1.0.2.
- C. The switch continues to send the traffic to 10.1.0.3, but it now has backup routes for the traffic in case the connection to 10.1.0.3 fails.
- D. The switch no longer drops this traffic and instead sends it to 10.1.0.1.

Correct Answer: A

QUESTION 3

An ArubaOS switch is protected with a manager password. The network administrator wants to back up the configuration and apply it to other switches. The administrator wants the manager password to be available in both the saved and running configuration.

To accomplish this goal, what must the administrator do before the configuration is backed up?

- A. Enter the password command with the plaintext option.
- B. Configure an SSH keypair on the switch.
- C. Enter the include-credentials command.
- D. Ensure that the server to which the configuration will be backed up uses SCP as opposed to TFTP.

Correct Answer: C

QUESTION 4

A server connects to a port on an ArubaOS switch. The network administrator wants to ensure that the port remains forwarding during MSTP topology changes, and changes in the port status do not cause MSTP topology changes.

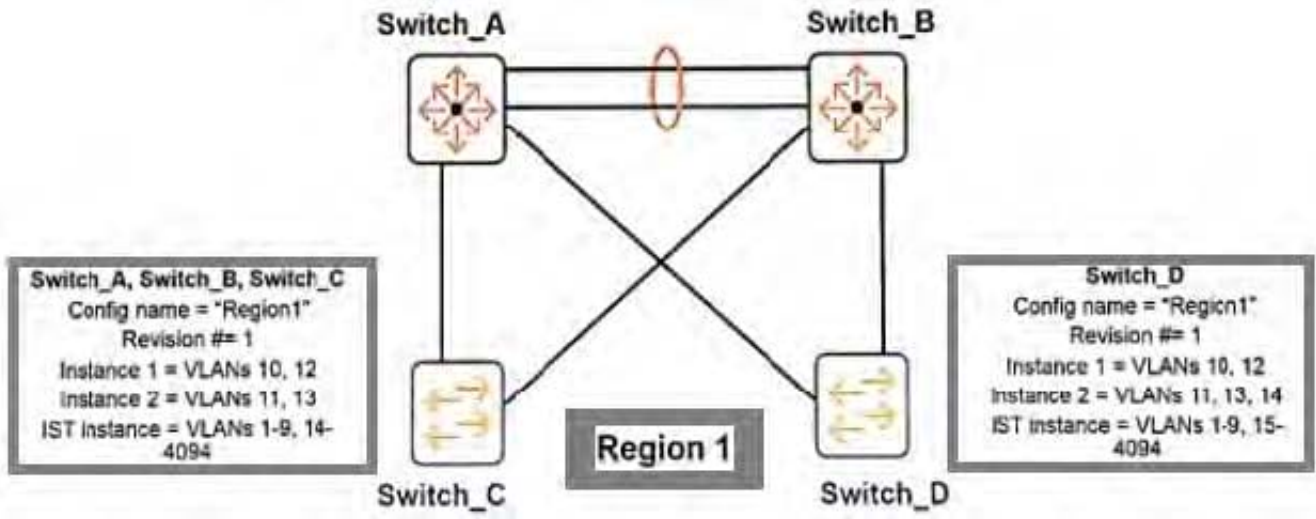
Which statement describes how the administrator can accomplish this?

- A. The administrator can accept the default behavior of auto-edge.
- B. The administrator can lower the port's root path cost to zero.
- C. The administrator can manually disable STP on the edge port.
- D. The administrator can configure the port as an MSTP master port.

Correct Answer: D

QUESTION 5

Refer to the exhibit.



Originally, all four switches had the same region configuration. VLAN 14 was added to Switch_D and then mapped to instance 2.

How does this affect the MSTP topology?

- A. Load sharing is lost, one of the uplinks is blocked for all traffic on Switch_C and Switch_D.
- B. Load sharing is lost, one of the uplinks is blocked for all traffic on Switch_D
- C. All connectivity is lost, both uplinks are blocked on Switch_D.
- D. A Layer 2 loop exists and will cause sporadic connectivity issues.

Correct Answer: B

[HPE6-A41 VCE Dumps](#)

[HPE6-A41 Practice Test](#)

[HPE6-A41 Study Guide](#)