

HPE6-A45^{Q&As}

Implementing Aruba Campus Switching solutions

Pass HP HPE6-A45 Exam with 100% Guarantee

Free Download Real Questions & Answers **PDF** and **VCE** file from:

<https://www.pass2lead.com/hpe6-a45.html>

100% Passing Guarantee
100% Money Back Assurance

Following Questions and Answers are all new published by HP Official Exam Center

-  **Instant Download** After Purchase
-  **100% Money Back** Guarantee
-  **365 Days** Free Update
-  **800,000+** Satisfied Customers



QUESTION 1

A network administrator applies port security to a port with the send-alarm action.

What does the switch do if it detects traffic from an unauthorized MAC address on the port?

- A. It disables the port, but sends no SNMP trap.
- B. It forwards the traffic, and it logs an event.
- C. It blocks the traffic, but sends no SNMP trap.
- D. It blocks the traffic, and it sends an SNMP trap.

Correct Answer: A

QUESTION 2

Refer to the exhibits. Exhibit 1

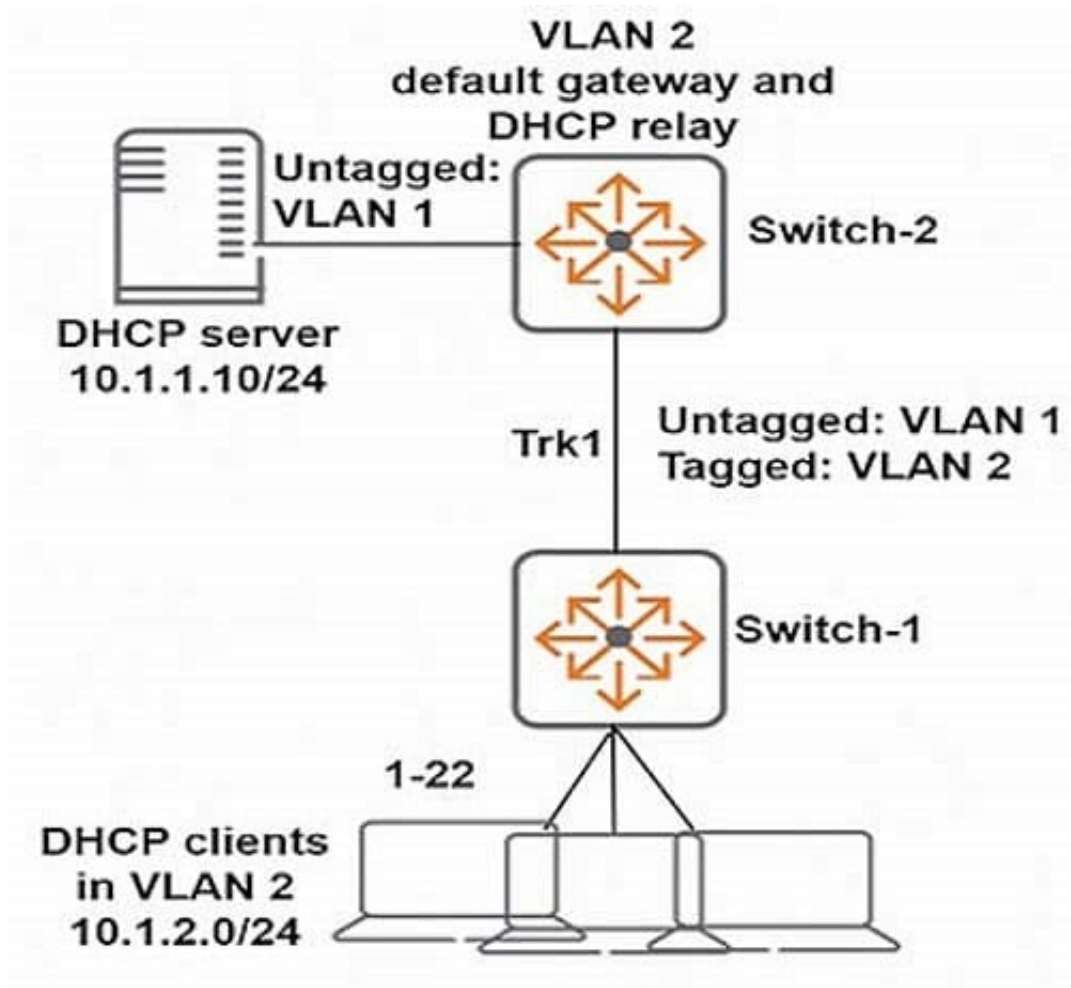


Exhibit 2 Which change to the environment would cause clients to fail to receive DHCP settings?

```
DHCP Snooping           : Yes
Enabled VLANs          : 2
Verify MAC address     : Yes
Option 82 untrusted policy : drop
Option 82 insertion    : Yes
Option 82 remote-id    : mac
Store lease database   : Not configured
```

Authorized Servers

10.1.1.10

Port	Trust	Max Bindings	Current Static	Current Dynamic Bindings
-----	-----	-----	-----	-----
Trk1	Yes	-	-	-

Ports 1-22 are untrusted

- A. the addition of a new link to the link aggregation between Switch-1 and Switch-2
- B. the addition of a new VLAN on the link aggregation between Switch-1 and Switch-2
- C. a change in the Switch-1 option 82 policy to replace
- D. a change of IP address on the network DHCP server

Correct Answer: C

QUESTION 3

An administrator wants to ensure that an AOS-Switch forwards all traffic that it receives on interface 1 with high priority.

-Switches should also communicate the high priority to other switches across the traffic path.

-

The switch has type of service disabled.

-

The administrator plans to apply 802.1p priority 5 to interface 1.

What should the administrator check to ensure that the configuration will work properly?

- A. Interface 1 receives traffic with a tag.
- B. The AOS-Switch is configured to use eight queues.

- C. The forwarding path for the traffic uses VLAN tags.
- D. An 802.1p-to-DSCP map exists for priority 5.

Correct Answer: A

QUESTION 4

Network administrators need to inspect all traffic that arrives on an AOS-Switch in VLAN 2 and is destined to TCP ports 50000-50010. They want to send the traffic to a protocol analyzer connected to the switch for deeper inspection.

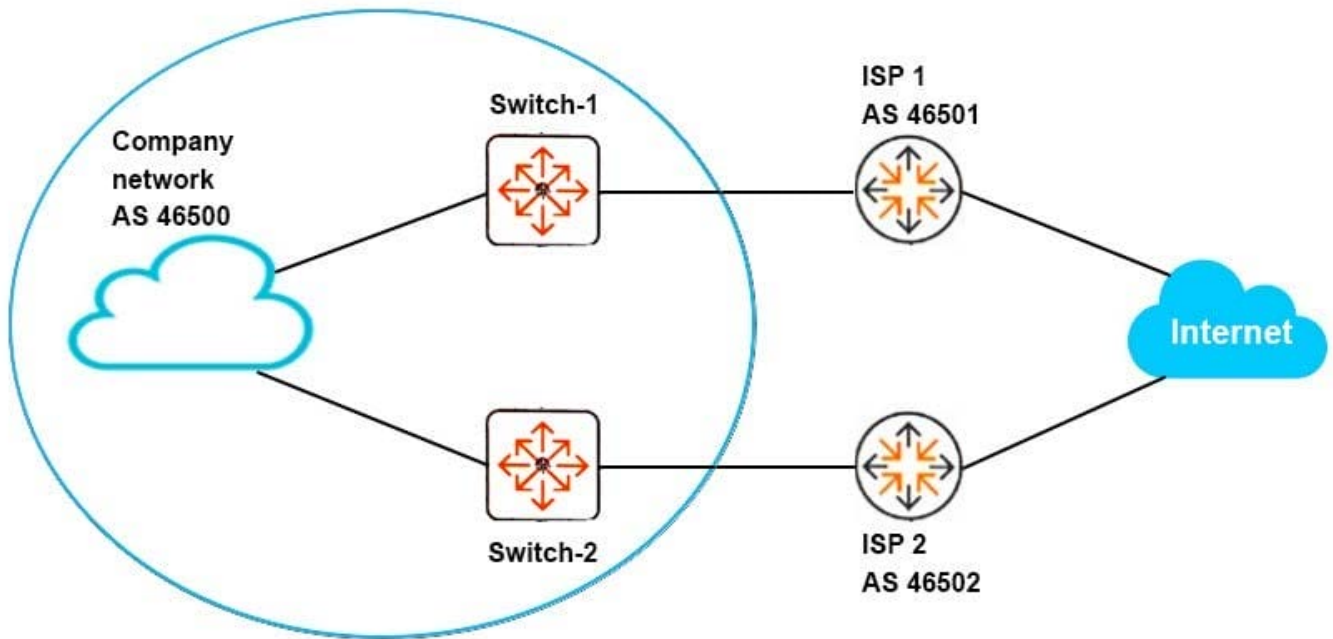
What else must they create to achieve their goal?

- A. an extended IP ACL that selects the TCP traffic, apply the ACL to interfaces VLAN 2, and specify interfaces in VLAN 2 as monitor ports
- B. a traffic class that selects the TCP traffic, map the class to the mirror session in a policy to VLAN 2
- C. a traffic class that selects the TCP traffic, and apply the traffic class directly to the interface that connects to the protocol analyzer
- D. a traffic class that selects the TCP traffic, and apply the traffic class directly to the interface that connects to the protocol analyzer
- E. an extended IP ACL that selects the TCP traffic, apply the ACL to the mirror session, and specify interfaces in VLAN 2 as monitor ports

Correct Answer: B

QUESTION 5

Refer to the exhibit.



Switch-1 and Switch-2 are AOS-Switches, which are iBGP peers. ISP 1 and ISP 2 advertise some routes to the same Internet destinations. Switch-1 and Switch-2 must select between these routes based on AS path length.

What is required for Switch-1 and Switch-2?

- A. iBGP synchronization enabled
- B. Multihop enabled for the connection to the iBGP neighbor
- C. ECMP disabled for BGP
- D. eBGP and iBGP administrative distance set to the same value

Correct Answer: D

[Latest HPE6-A45 Dumps](#)

[HPE6-A45 PDF Dumps](#)

[HPE6-A45 Exam Questions](#)