

# HPE6-A49<sup>Q&As</sup>

Aruba Certified Design Expert 8 Written Exam

**Pass HP HPE6-A49 Exam with 100% Guarantee**

Free Download Real Questions & Answers **PDF** and **VCE** file from:

<https://www.pass2lead.com/hpe6-a49.html>

100% Passing Guarantee  
100% Money Back Assurance

Following Questions and Answers are all new published by HP Official Exam Center

-  **Instant Download** After Purchase
-  **100% Money Back** Guarantee
-  **365 Days** Free Update
-  **800,000+** Satisfied Customers



### QUESTION 1

A customer has an existing Aruba wireless solution to provide wireless access for employees. The solution includes APs, mobility controllers (MCs) at the network core, and a Mobility Master (MM). A customer would like to set up a separately managed guest network and have the traffic go directly to the DMZ.

What should the architect suggest as the simplest solution that meets the requirements?

- A. Add APs in a dedicated AP group to support only the guest network SSID.
- B. Have a dedicated mobility controller in the DMZ managed by the same MM.
- C. Double the number of APs and controllers
- D. Use MultiZone, and put a mobility controller in the DMZ.

Correct Answer: D

---

### QUESTION 2

A customer has critical wired endpoints and wants to minimize the chances they will lose their connection to the network. These endpoints are dual-homed, each with two Ethernet connections that are in a link aggregation.

The architect plans to deploy two 5406R switches in the closet.

What else should the architect specify in the plan?

- A. The 5406R switches are in a VSF fabric; each switch has redundant power supplies, but not redundant management modules.
- B. The 5406R switches are not in a VSF fabric; each switch has redundant power supplies but not redundant management modules.
- C. The 5406R switches are not in a VSF fabric; each switch has redundant power supplies and redundant management modules.
- D. The 5406R switches are in a VSF fabric; each switch has redundant power supplies and redundant management modules.

Correct Answer: D

---

### QUESTION 3

What is one customer requirement that can drive the need for a relatively dense AP deployment, in which the coverage areas of at least three AP radios overlap?

- A. support for beacon management

- B. AP operation as hybrid AMs for IDS/WIPS
- C. the deployment of dual 5GHz radio APs
- D. location tracking of wireless IoT devices

Correct Answer: D

---

#### QUESTION 4

##### Case study

A customer needs a wireless network upgrade for 802.11ac and possibly an upgrade to the wired network.

The customer requires dual-radio 802.11ac APs, each radio of which can support 4x4 MIMO at full feature set.

The customer has given architects this information about their wireless devices:

2700 IoT devices which will have only wireless connections; they support WPA2 with 802.1X

300 on each floor in 3 buildings with 3 floors each

5,400 users, who use devices such as laptops and smartphones

600 users on each floor in 3 buildings with 3 floors each

24 security cameras which will have only wireless connections; they support WPA2 with 802.1X and have a local power source

4 on floor 1 of each of the 3 buildings

2 on the other 6 floors

The architect also has collected information about the existing wired network.

The existing access layer switches support these features:

10/100/1000 edge ports

PoE (802.3af)

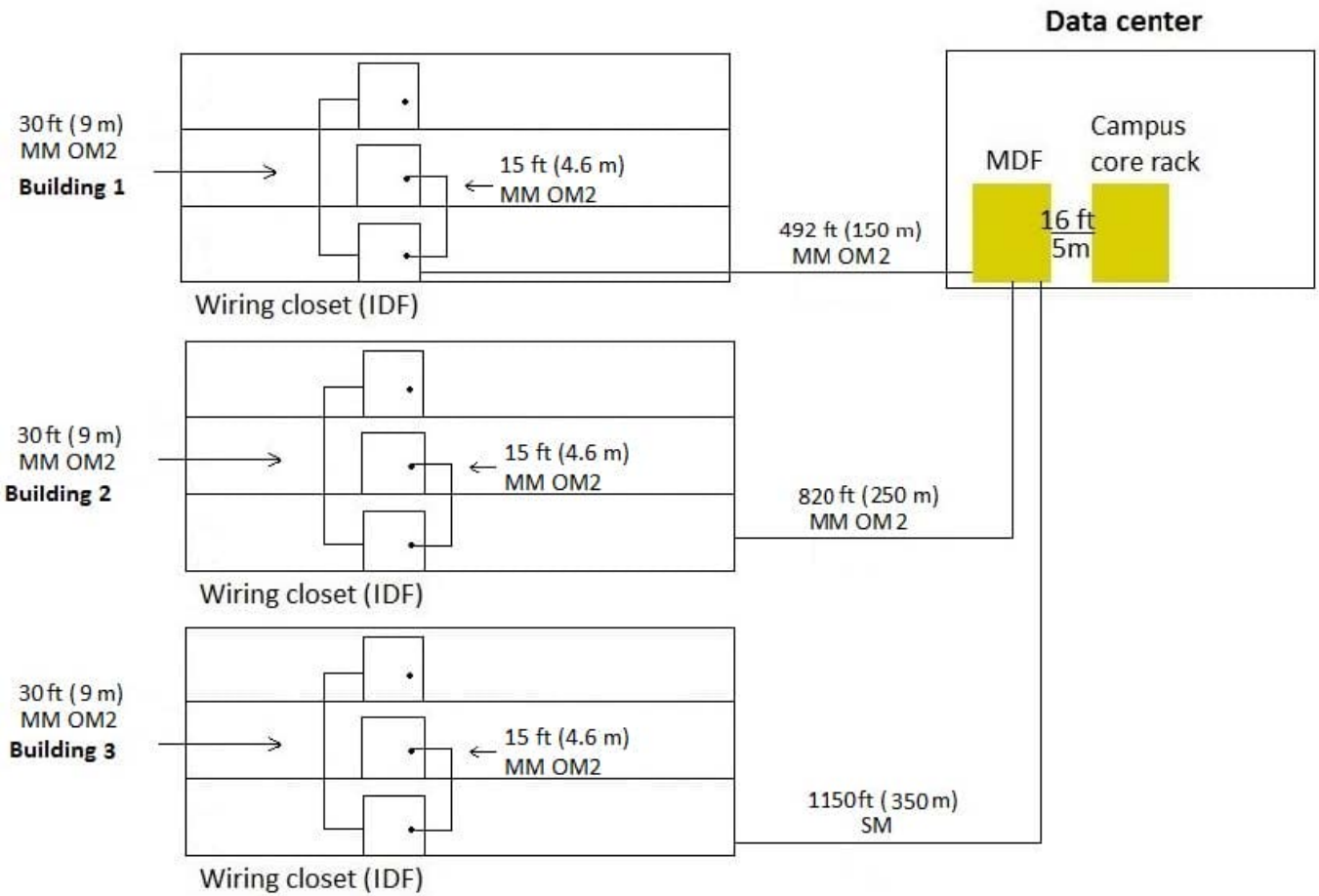
1GbE fiber uplinks

The existing aggregation switches support these features:

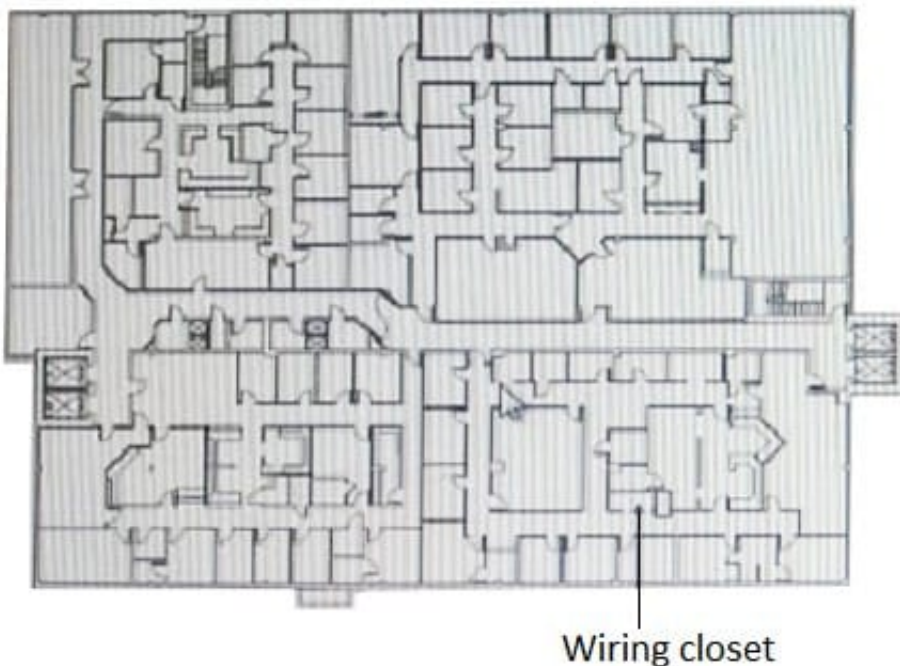
1/10GbE fiber ports

ARP tables up to 62,000

The customer has provided this figure that shows the existing cabling between floors and between buildings:



Each floor is about 100 feet (30 m) by 140 feet (43 m) with a 10 foot (3 m) ceiling. Interior walls are drywall. The layout for each floor is similar to that shown below. CAT5e cable is extended to all areas.



What is one change to the existing network that the architect should recommend to meet the new customer

requirements?

- A. upgrade to at least CAT7 cable for all the wired drops
- B. upgrade to MM OM3 fiber between the floors
- C. new aggregation layer switches to support larger ARP tables
- D. new access layer switches to support PoE+

Correct Answer: B

---

#### QUESTION 5

A company currently has 45 IAP-315 at a remote site. These IAPs connect to the main office on a WAN link and use an IPsec VPN to an MC. The company has determined that it needs better optimization and higher VPN throughput for traffic sent to the main office.

What should the network architect propose to fill this gap?

- A. a subscription to Aruba Central services for WAN optimization
- B. the deployment of several additional IAP-315 to boost throughput
- C. the deployment of a local MC at the remote site
- D. the purchase of SD-WAN licenses for the remote site IAPs

Correct Answer: D

[HPE6-A49 VCE Dumps](#)

[HPE6-A49 Practice Test](#)

[HPE6-A49 Study Guide](#)