

JN0-363^{Q&As}

Service Provider Routing and Switching Specialist (JNCIS-SP)

Pass Juniper JN0-363 Exam with 100% Guarantee

Free Download Real Questions & Answers **PDF** and **VCE** file from:

<https://www.pass2lead.com/jn0-363.html>

100% Passing Guarantee
100% Money Back Assurance

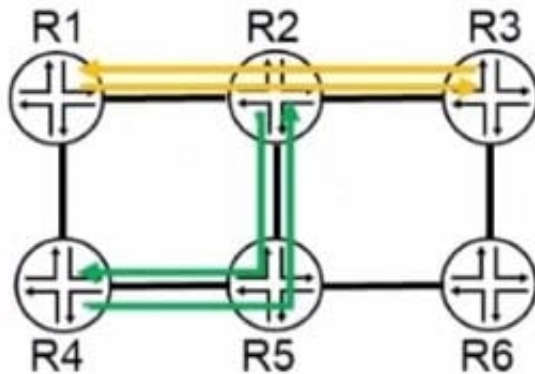
Following Questions and Answers are all new published by Juniper
Official Exam Center



- ⚙️ **Instant Download** After Purchase
- ⚙️ **100% Money Back** Guarantee
- ⚙️ **365 Days** Free Update
- ⚙️ **800,000+** Satisfied Customers



QUESTION 1

Exhibit The exhibit shows a topology with 1 Gbps interfaces between routers, and four RSVP LSPs operating with the respective bandwidth reservations. Which path will be selected for a new LSP from R4 to R6 with a bandwidth reservation of 400 Mbps?



-  RVSP LSP with 300 Mbps reserved
-  RVSP LSP with 700 Mbps reserved

- A. R4 -> R1 -> R2 -> R5 -> R6
- B. R4 -> R5 -> R6
- C. R4 -> R5 -> R2 -> R3 -> R6
- D. R4 -> R1 -> R2 -> R3 -> R6

Correct Answer: A

QUESTION 2

You are deploying link aggregation groups.

- A. By default, what are two considerations in this scenario? (Choose two.)
- B. There should only be four member links per LAG.
- C. All the ports must have the same speed.
- D. Member links are required to be contiguous ports.
- E. Member links can reside on different members within an MC-LAG.

Correct Answer: BD

QUESTION 3

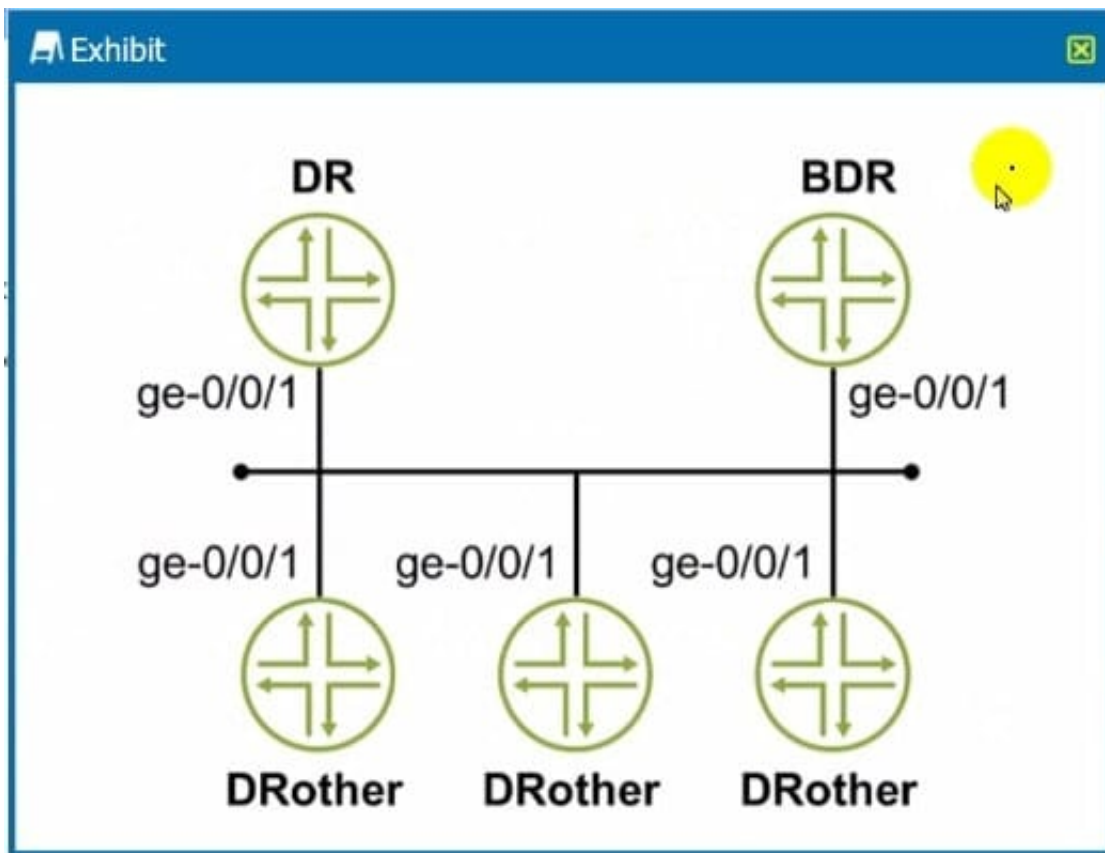
What are three well-known mandatory BGP attributes? (Choose three.)

- A. next hop
- B. origin
- C. community
- D. MED
- E. AS path

Correct Answer: ABE

QUESTION 4

Exhibit



You are asked to configure the OSPF environment to prevent the DRothes routers from participating in DR/BDR election. Referring to the exhibit, which command will accomplish this task?

- A. set protocols ospf area 0.0.0.0 interface ge-0/0/l priority 255
- B. set protocols ospf area 0.0.0.0 interface ge-0/0/1 priority 0
- C. set protocols ospf area 0.0.0.0 interface ge-0/0/1 interface-type nbma
- D. set protocols ospf area 0.0.0.0 interface ge--0/0/1 interface-type p2p

Correct Answer: A

QUESTION 5

Which statement is correct about IS-IS?

- A. IS-IS is a distance vector routing protocol.
- B. IS-IS is a path vector routing protocol.
- C. IS-IS is a link-state routing protocol.
- D. IS-IS is a classful routing protocol.

Correct Answer: C

[JN0-363 PDF Dumps](#)

[JN0-363 Practice Test](#)

[JN0-363 Exam Questions](#)