

# JN0-363<sup>Q&As</sup>

Service Provider Routing and Switching Specialist (JNCIS-SP)

## Pass Juniper JN0-363 Exam with 100% Guarantee

Free Download Real Questions & Answers **PDF** and **VCE** file from:

<https://www.pass2lead.com/jn0-363.html>

100% Passing Guarantee  
100% Money Back Assurance

Following Questions and Answers are all new published by Juniper  
Official Exam Center

- ⚙️ **Instant Download** After Purchase
- ⚙️ **100% Money Back** Guarantee
- ⚙️ **365 Days** Free Update
- ⚙️ **800,000+** Satisfied Customers



**QUESTION 1**

The segment touting SRGB start label is 10,000 and the SRGB index range is 500.

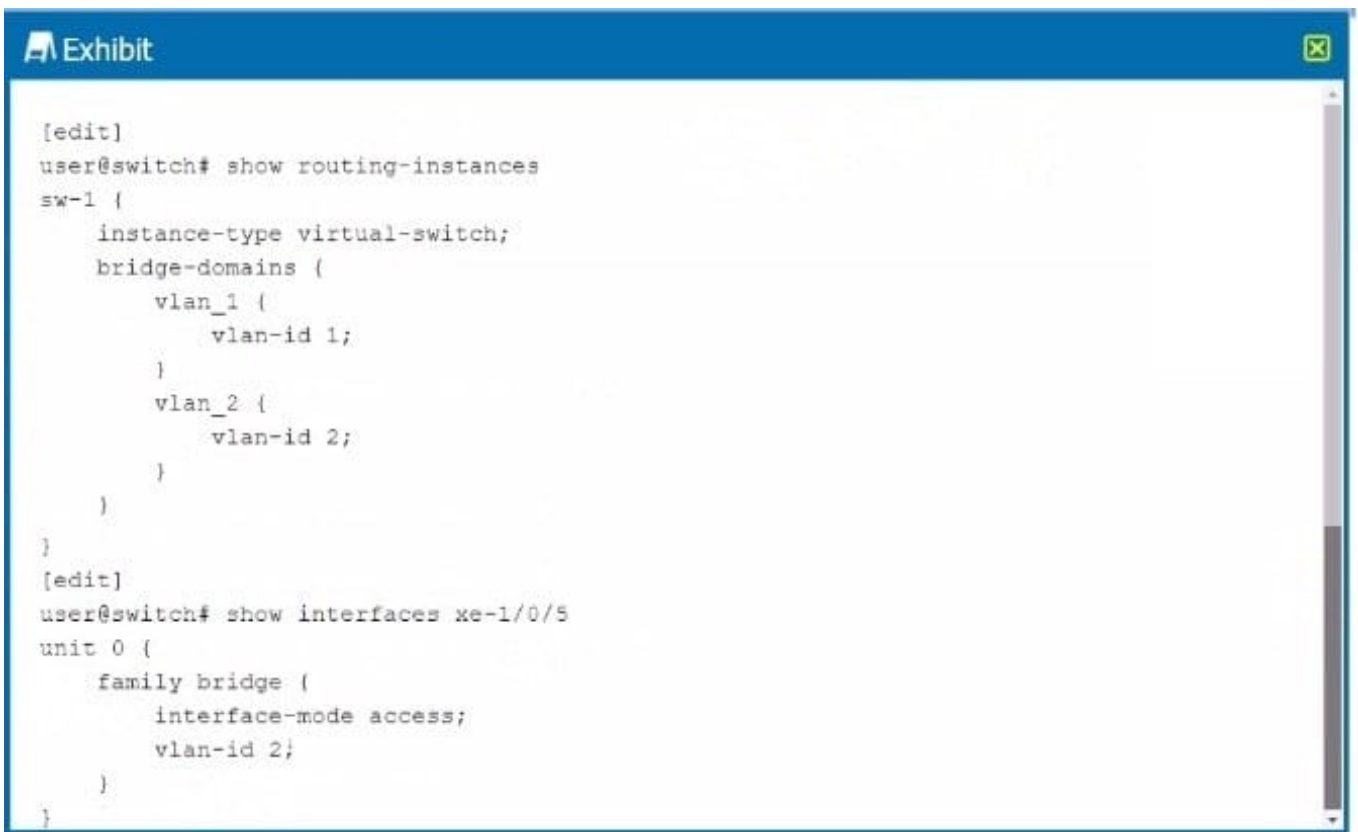
In this scenario, which two statements are correct? (Choose two.)

- A. The first usable label is 10,001.
- B. The last usable label is 10.501.
- C. The last usable label is 10,499.
- D. The first usable label is 10,000.

Correct Answer: CD

**QUESTION 2**

Exhibit



```
[edit]
user@switch# show routing-instances
sw-1 {
  instance-type virtual-switch;
  bridge-domains {
    vlan_1 {
      vlan-id 1;
    }
    vlan_2 {
      vlan-id 2;
    }
  }
}
[edit]
user@switch# show interfaces xe-1/0/5
unit 0 {
  family bridge {
    interface-mode access;
    vlan-id 2;
  }
}
```

You are asked to assign interface xe-1/0/5 to a virtual switch. What must be accomplished to complete the configuration?

- A. Interface xe-1/0/5 must be added to routing-instance sw-1 vlan\_2.

- B. Interface xe-1/0/5 must be a trunk port.
- C. Interface xe-1/0/5 must be added to routing-instance sw-1.
- D. An IRB interface must be configured to routing-instance sw-1 vlan\_2.

Correct Answer: C

**QUESTION 3**

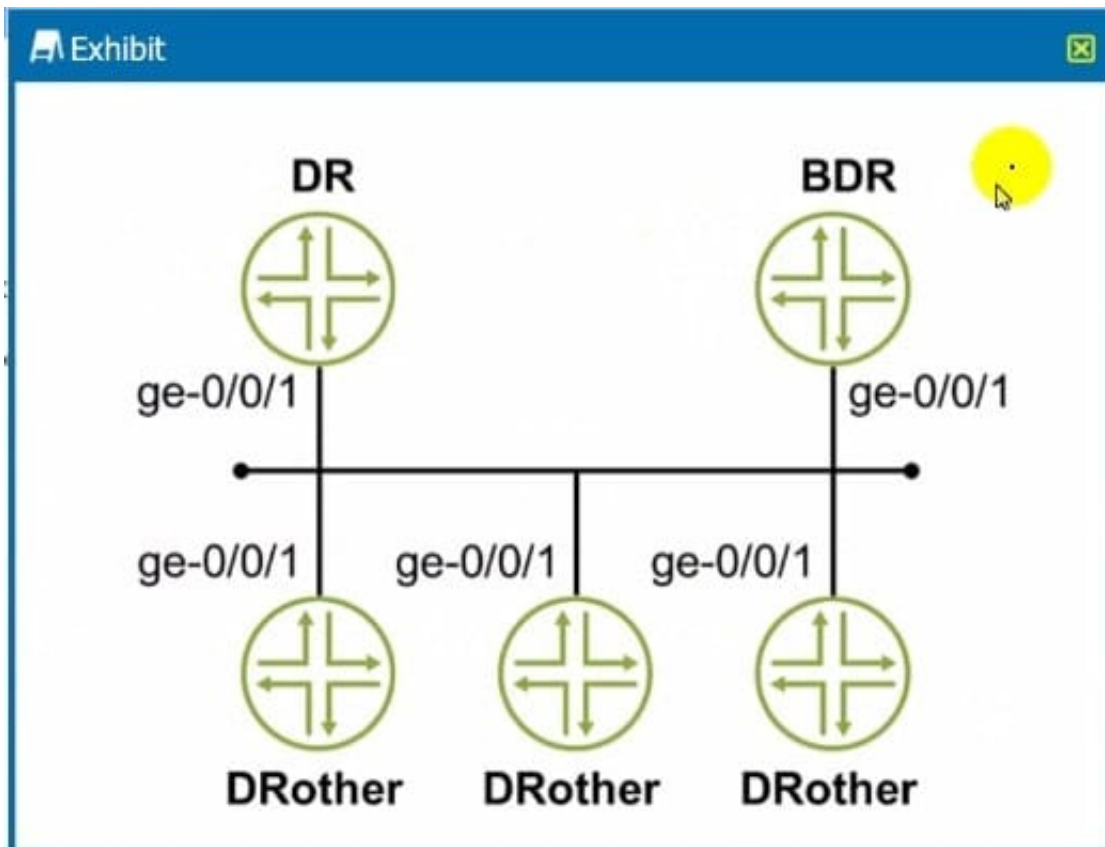
What are two types of SIDs used in segment routing? (Choose two.)

- A. node
- B. adjacency
- C. link
- D. interface

Correct Answer: AB

**QUESTION 4**

Exhibit



You are asked to configure the OSPF environment to prevent the DR/other routers from participating in DR/BDR election. Referring to the exhibit, which command will accomplish this task?

- A. set protocols ospf area 0.0.0.0 interface ge-0/0/1 priority 255
- B. set protocols ospf area 0.0.0.0 interface ge-0/0/1 priority 0
- C. set protocols ospf area 0.0.0.0 interface ge-0/0/1 interface-type nbma
- D. set protocols ospf area 0.0.0.0 interface ge-0/0/1 interface-type p2p

Correct Answer: A

## QUESTION 5

Exhibit

```
[edit]
user@switch# show interfaces ge-0/0/1
native-vlan-id 20;
unit 0 {
    family ethernet-switching {
        interface-mode trunk;
        vlan {
            members [ 10 20 ];
        }
    }
}
```

Referring to the exhibit, what will happen to untagged frames?

- A. The untagged frames are dropped.
- B. The untagged frames are load balanced between VLAN 10 and VLAN 20.
- C. The untagged frames are associated with VLAN 10.
- D. The untagged frames are associated with VLAN 20.

Correct Answer: A