

JN0-635^{Q&As}

Security, Professional

Pass Juniper JN0-635 Exam with 100% Guarantee

Free Download Real Questions & Answers **PDF** and **VCE** file from:

<https://www.pass2lead.com/jn0-635.html>

100% Passing Guarantee
100% Money Back Assurance

Following Questions and Answers are all new published by Juniper
Official Exam Center

- ⚙️ **Instant Download** After Purchase
- ⚙️ **100% Money Back** Guarantee
- ⚙️ **365 Days** Free Update
- ⚙️ **800,000+** Satisfied Customers



QUESTION 1

The monitor traffic interface command is being used to capture the packets destined to and the from the SRX Series device.

In this scenario, which two statements related to the feature are true? (Choose two.)

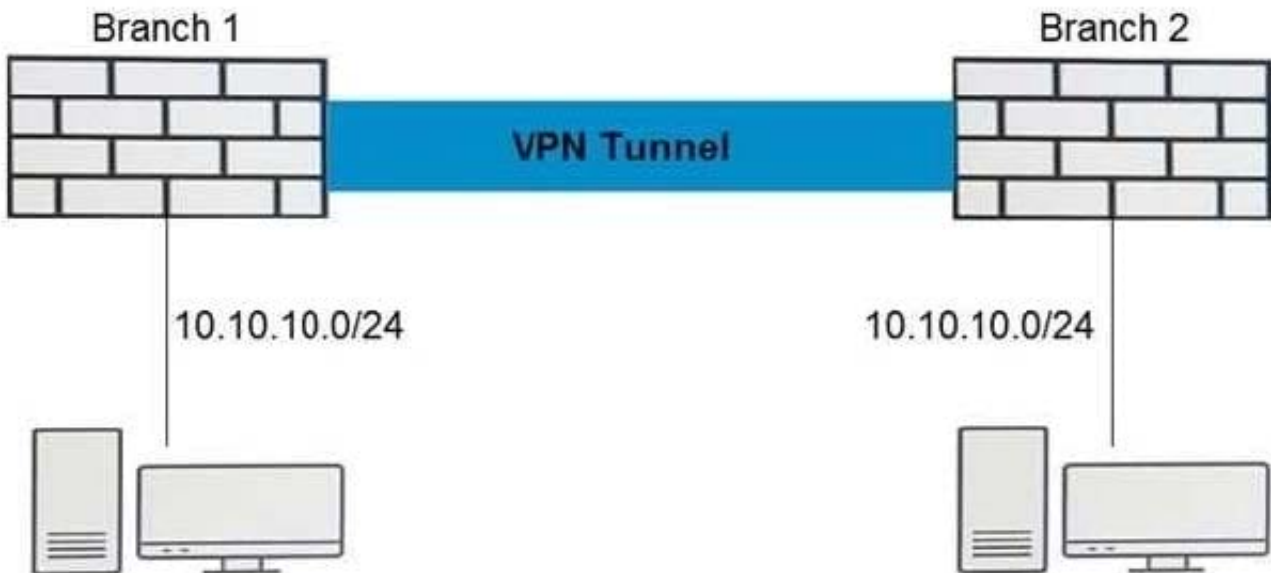
- A. This feature does not capture transit traffic.
- B. This feature captures ICMP traffic to and from the SRX Series device.
- C. This feature is supported on high-end SRX Series devices only.
- D. This feature is supported on both branch and high-end SRX Series devices.

Correct Answer: AD

Reference: <https://forums.juniper.net/t5/Ethernet-Switching/monitor-traffic-interface/td-p/462528>

QUESTION 2

Click the Exhibit button.



Branch 1 and Branch 2 have an active VPN tunnel configured, but internal hosts cannot communicate with each other.

Referring to the exhibit, which type of configuration should be applied to solve the problem?

- A. Configure destination NAT on both Branch 1 and Branch 2
- B. Configure source NAT on Branch 1

- C. Configure destination NAT on Branch 2 only
- D. Configure static NAT on both Branch 1 and Branch 2

Correct Answer: D

QUESTION 3

Which two modes are supported on Juniper Sky ATP? (Choose two.)

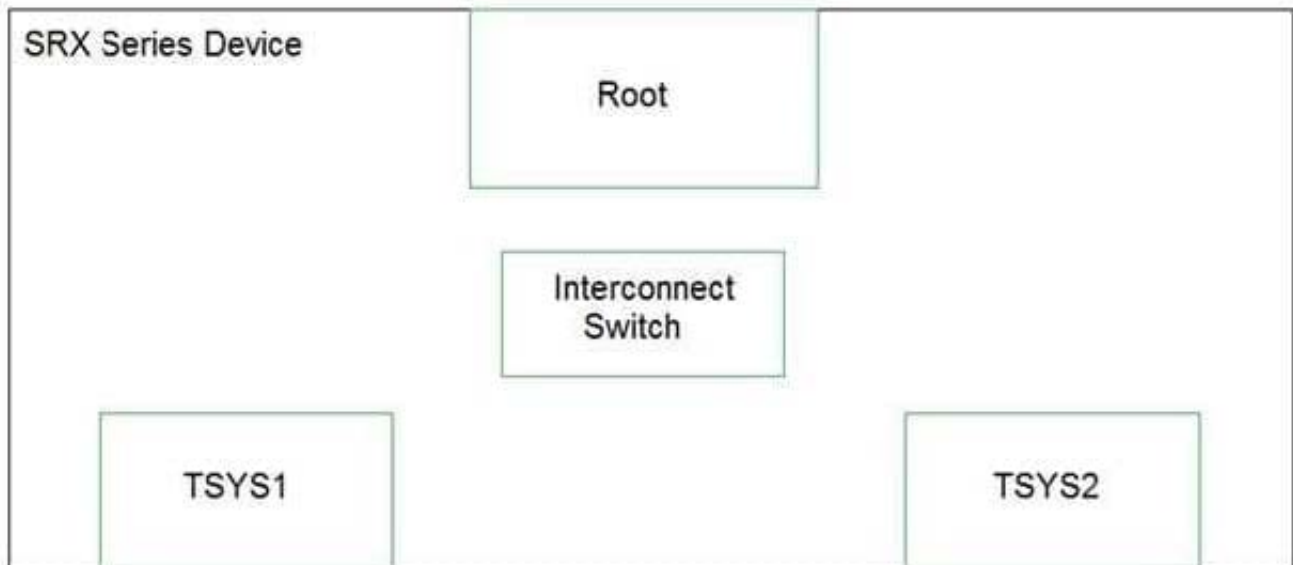
- A. private mode
- B. global mode
- C. tap mode
- D. secure wire mode

Correct Answer: CD

Reference: https://www.juniper.net/documentation/en_US/release-independent/sky-atp/topics/concept/skyatp-about.html

QUESTION 4

Click the Exhibit button.



You have configured tenant systems on your SRX Series device.

Referring to the exhibit, which two actions should you take to facilitate inter-TSYS communication? (Choose two.)

- A. Place the logical tunnel interfaces in a virtual router routing instance in the interconnect switch

- B. Place the logical tunnel interfaces in a VPLS routing instance in the interconnect switch
- C. Connect each TSYS with the interconnect switch by configuring INET configured logical tunnel interfaces in the interconnect switch
- D. Connect each TSYS with the interconnect switch by configuring Ethernet VPLS configured logical tunnel interfaces in the interconnect switch

Correct Answer: AC

QUESTION 5

You are asked to secure your network against TOR network traffic.

Which two Juniper products would accomplish this task? (Choose two.)

- A. Contrail Edge
- B. Contrail Insights
- C. Juniper Sky ATP
- D. Juniper ATP Appliance

Correct Answer: CD

[JN0-635 VCE Dumps](#)

[JN0-635 Practice Test](#)

[JN0-635 Study Guide](#)