

JN0-681^{Q&As}

New Data Center, Professional

Pass Juniper JN0-681 Exam with 100% Guarantee

Free Download Real Questions & Answers **PDF** and **VCE** file from:

<https://www.pass2lead.com/jn0-681.html>

100% Passing Guarantee
100% Money Back Assurance

Following Questions and Answers are all new published by Juniper
Official Exam Center

- ⚙️ **Instant Download** After Purchase
- ⚙️ **100% Money Back** Guarantee
- ⚙️ **365 Days** Free Update
- ⚙️ **800,000+** Satisfied Customers



QUESTION 1

What is the endpoint of a VXLAN tunnel?

- A. DLCI
- B. VTEP
- C. LSR
- D. VCF

Correct Answer: B

QUESTION 2

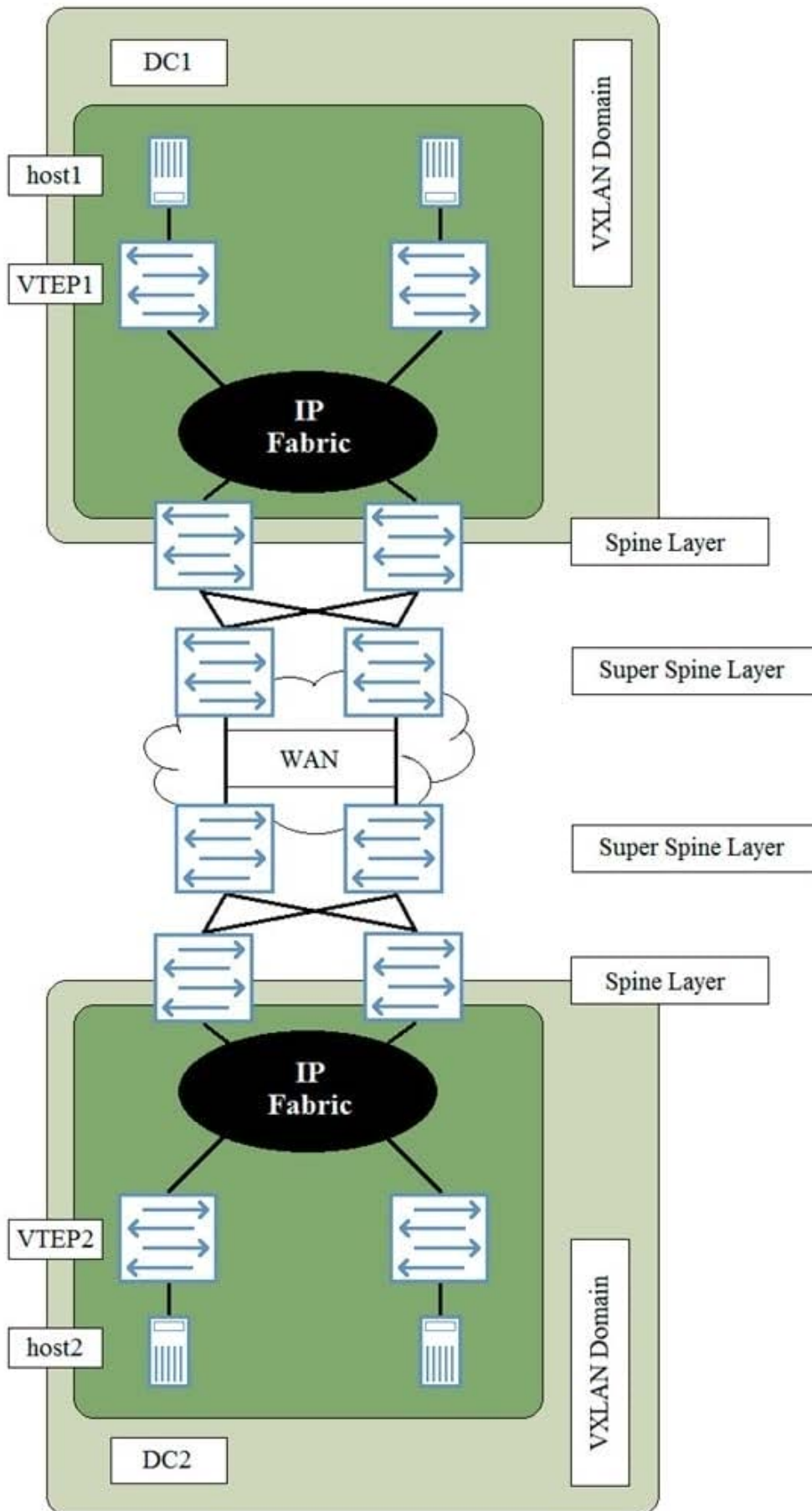
When using EBGW as the underlay protocol for your IP fabric architecture, which two statements are true? (Choose two.)

- A. Spine nodes only peer to leaf nodes.
- B. Leaf nodes peer to both spine and leaf nodes.
- C. Leaf nodes only peer to spine nodes.
- D. Spine nodes peer to both leaf and spine nodes.

Correct Answer: AC

QUESTION 3

You have deployed two data centers that require a Layer 2 stretch between host1 and host2.



Referring to the exhibit, what does a Layer 2 stretch require?

- A. a VXLAN tunnel originating on the Super Spine Layer in DC1 to the Super Spine Layer in DC2.
- B. a VXLAN tunnel originating on VTEP1 to VTEP2.
- C. a VXLAN tunnel originating on the Spine Layer in DC1 to the Spine Layer in DC2.
- D. a VPLS WAN connection between data centers.

Correct Answer: B

QUESTION 4

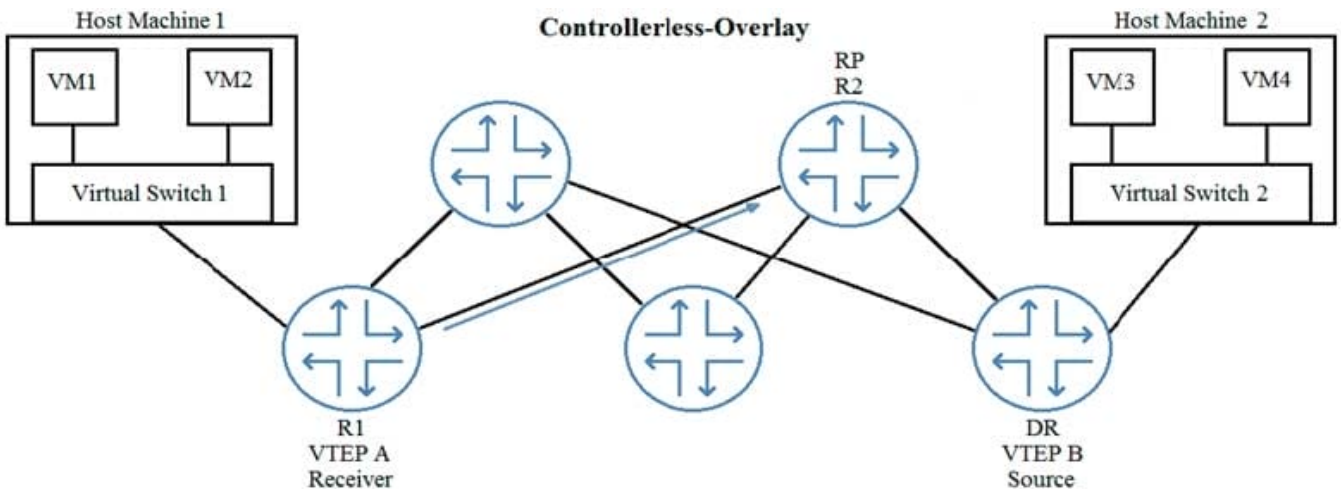
Which two statements describe EVPN-based VXLAN implementations? (Choose two.)

- A. The movement of a virtual host requires a manual reconfiguration of the VTEP.
- B. The movement of a virtual host results in the dynamic remapping of the VTEP.
- C. MAC addresses are learned using multicast flooding.
- D. MAC addresses are propagated using BGP updates.

Correct Answer: BD

QUESTION 5

In the exhibit, VM1 is part of the same VXLAN segment as VM3.



Which type of message will R1 initially send to R2 so that VM1 receives BUM traffic from VM3?

- A. IGMP Join (S,G)
- B. PIM Join

C. IGMP Join (*,G)

D. PIM Register message

Correct Answer: B

[JN0-681 VCE Dumps](#)

[JN0-681 Study Guide](#)

[JN0-681 Braindumps](#)