

# JN0-681<sup>Q&As</sup>

New Data Center, Professional

## Pass Juniper JN0-681 Exam with 100% Guarantee

Free Download Real Questions & Answers **PDF** and **VCE** file from:

<https://www.pass2lead.com/jn0-681.html>

100% Passing Guarantee  
100% Money Back Assurance

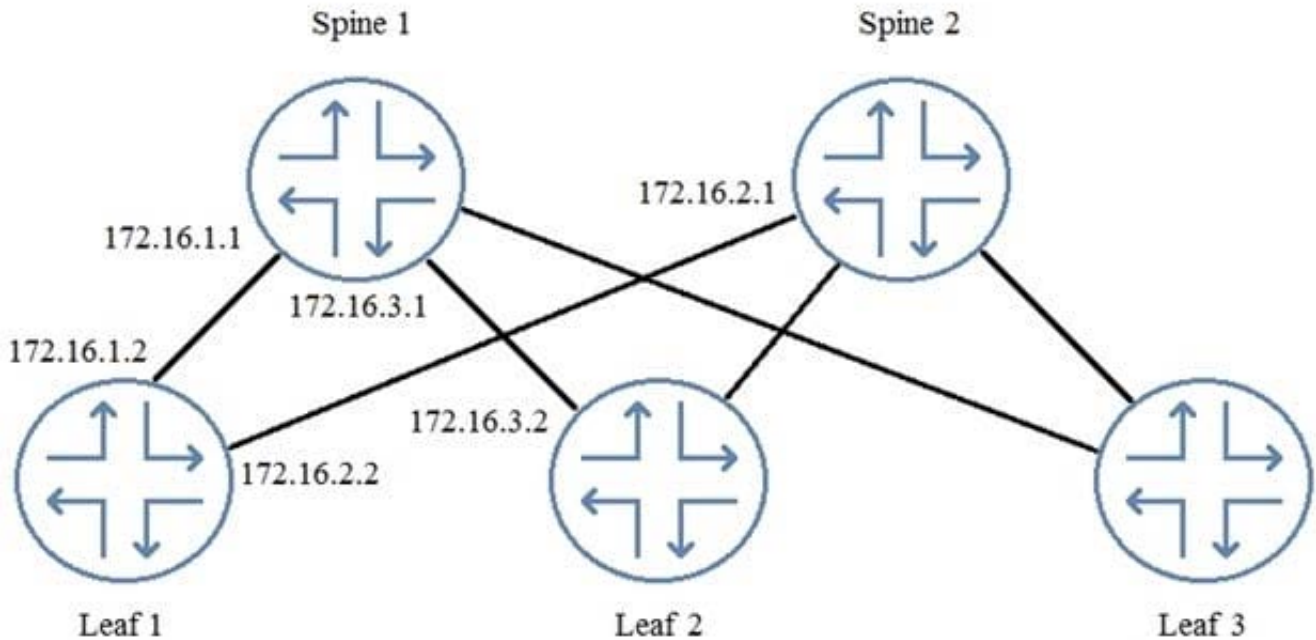
Following Questions and Answers are all new published by Juniper  
Official Exam Center

-  **Instant Download** After Purchase
-  **100% Money Back** Guarantee
-  **365 Days** Free Update
-  **800,000+** Satisfied Customers



**QUESTION 1**

You are logged in to Leaf 1. When examining the routing table, you notice that you have no routes from Leaf 2.



Referring to the exhibit, which two commands would you use to troubleshoot the problem? (Choose two.)

- A. From Leaf 2, issue the show route advertising-protocol bgp 172.16.1.2 command.
- B. From Spine 1, issue the show route advertising-protocol bgp 172.16.1.1 command.
- C. From Spine 1, issue the show route advertising-protocol bgp 172.16.1.2 command.
- D. From Leaf 1, issue the show route receive-protocol bgp 172.16.1.1 command.

Correct Answer: CD

**QUESTION 2**

You are designing a Layer 3 fabric underlay using EBGp. You will implement an EVPN-signaled VXLAN overlay on the Layer 3 fabric.

In this scenario, what must you do in the underlay to ensure that the VXLAN overlay will be able to function properly?

- A. The underlay should advertise the host-connected interfaces on all leaf devices.
- B. Each device in the underlay should advertise its loopback address.
- C. The underlay should be configured with a separate VRF for each potential tenant.

D. The underlay should support the PIM protocol.

Correct Answer: B

---

### QUESTION 3

You are asked to manage the oversubscription ratio of your spine and leaf IP fabric. You determine that you are at a 3:1 ratio of downstream to upstream traffic and must achieve a 1:1 ratio.

In this scenario, which two actions would you take to achieve this goal? (Choose two.)

- A. Increase the number of server-facing ports that each leaf node uses to carry traffic.
- B. Reduce the number of server-facing ports that each leaf node uses to carry traffic.
- C. Increase the number of spine nodes in your design.
- D. Reduce the number of leaf nodes in your design.

Correct Answer: BC

---

### QUESTION 4

Which statement is true about a Data Center Interconnect over an IP network?

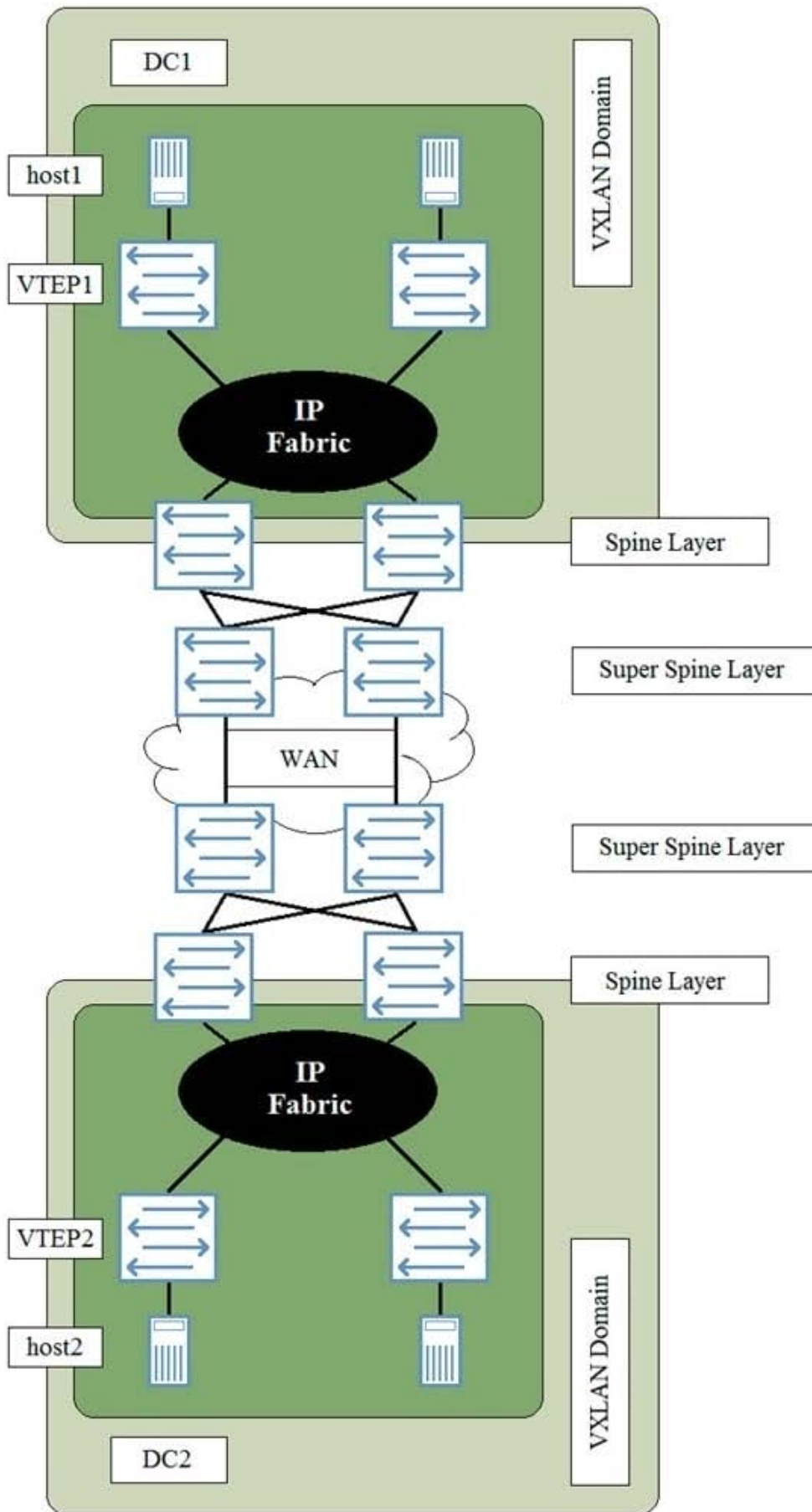
- A. Layer 2 data must traverse a point-to-point link.
- B. Layer 2 data must traverse an MPLS LSP.
- C. Layer 2 data must be encapsulated.
- D. Layer 3 data must be encapsulated.

Correct Answer: B

---

### QUESTION 5

You have deployed two data centers that require a Layer 2 stretch between host1 and host2.



Referring to the exhibit, what does a Layer 2 stretch require?

- A. a VXLAN tunnel originating on the Super Spine Layer in DC1 to the Super Spine Layer in DC2.
- B. a VXLAN tunnel originating on VTEP1 to VTEP2.
- C. a VXLAN tunnel originating on the Spine Layer in DC1 to the Spine Layer in DC2.
- D. a VPLS WAN connection between data centers.

Correct Answer: B

[JN0-681 PDF Dumps](#)

[JN0-681 Practice Test](#)

[JN0-681 Exam Questions](#)