

NSE7_OTS-6.4^{Q&As}

Fortinet NSE 7 - OT Security 6.4

Pass Fortinet NSE7_OTS-6.4 Exam with 100% Guarantee

Free Download Real Questions & Answers **PDF** and **VCE** file from:

https://www.pass2lead.com/nse7_ots-6-4.html

100% Passing Guarantee
100% Money Back Assurance

Following Questions and Answers are all new published by Fortinet Official Exam Center

- ⚙️ **Instant Download** After Purchase
- ⚙️ **100% Money Back** Guarantee
- ⚙️ **365 Days** Free Update
- ⚙️ **800,000+** Satisfied Customers



QUESTION 1

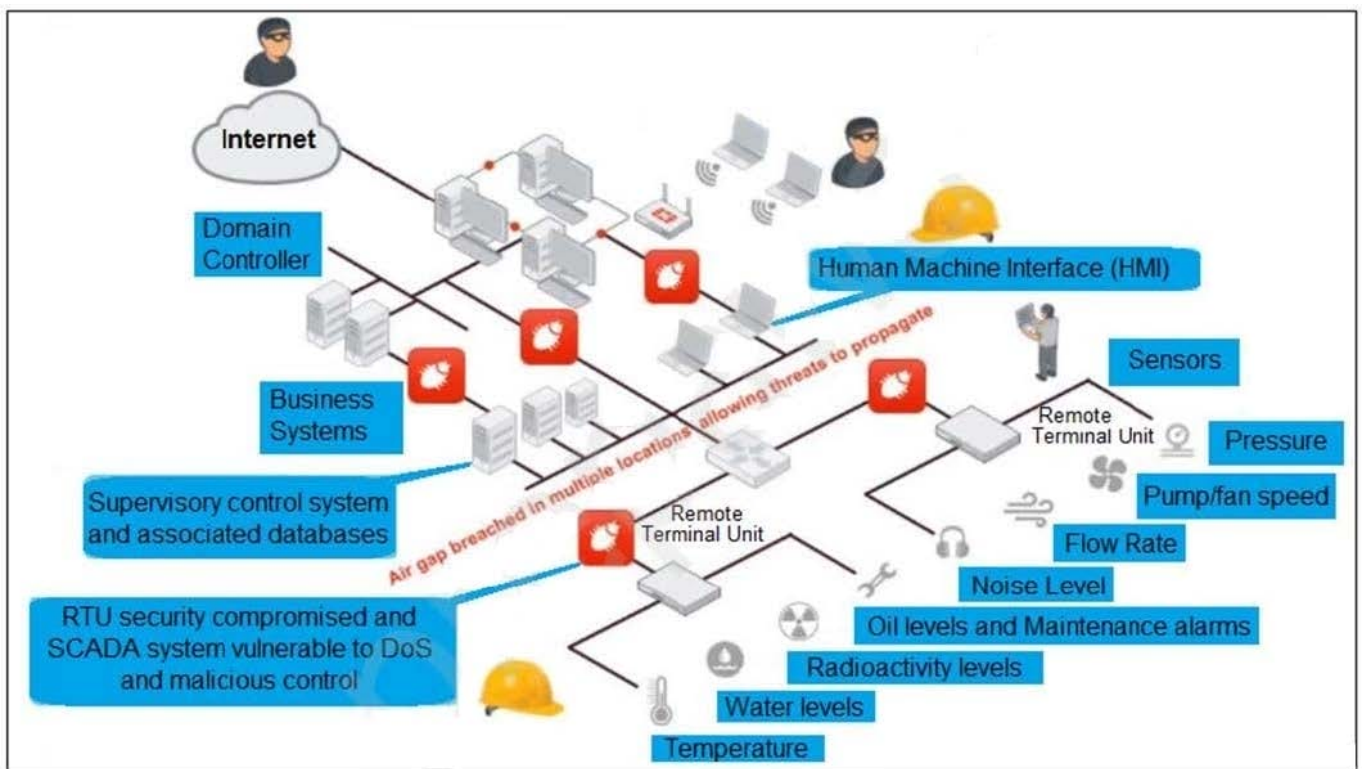
What two advantages does FortiNAC provide in the OT network? (Choose two.)

- A. It can be used for IoT device detection.
- B. It can be used for industrial intrusion detection and prevention.
- C. It can be used for network micro-segmentation.
- D. It can be used for device profiling.

Correct Answer: CD

QUESTION 2

Refer to the exhibit, which shows a non-protected OT environment.



An administrator needs to implement proper protection on the OT network.

Which three steps should an administrator take to protect the OT network? (Choose three.)

- A. Deploy an edge FortiGate between the internet and an OT network as a one-arm sniffer.
- B. Deploy a FortiGate device within each ICS network.
- C. Configure firewall policies with web filter to protect the different ICS networks.

- D. Configure firewall policies with industrial protocol sensors
- E. Use segmentation

Correct Answer: ACD

QUESTION 3

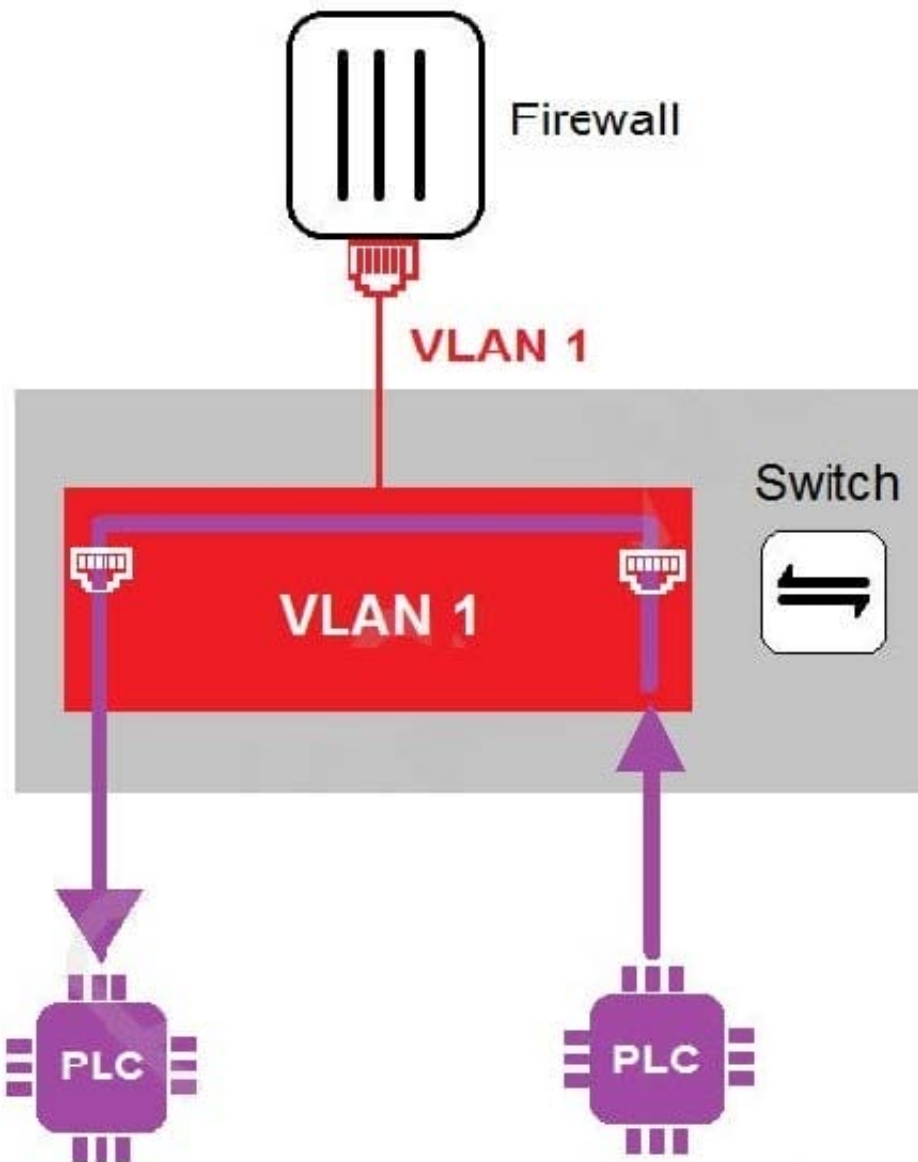
Which three criteria can a FortiGate device use to look for a matching firewall policy to process traffic? (Choose three.)

- A. Services defined in the firewall policy.
- B. Source defined as internet services in the firewall policy
- C. Lowest to highest policy ID number
- D. Destination defined as internet services in the firewall policy
- E. Highest to lowest priority defined in the firewall policy

Correct Answer: ABD

QUESTION 4

Refer to the exhibit.



In the topology shown in the exhibit, both PLCs can communicate directly with each other, without going through the firewall.

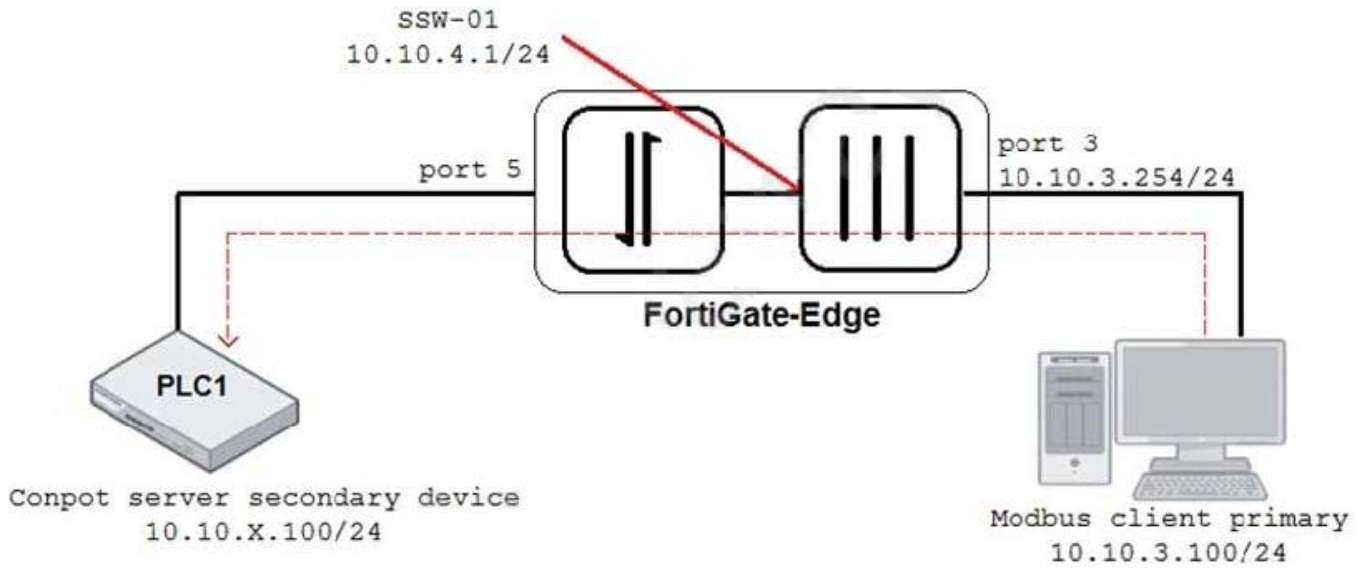
Which statement about the topology is true?

- A. PLCs use IEEE802.1Q protocol to communicate each other.
- B. An administrator can create firewall policies in the switch to secure between PLCs.
- C. This integration solution expands VLAN capabilities from Layer 2 to Layer 3.
- D. There is no micro-segmentation in this topology.

Correct Answer: D

QUESTION 5

Refer to the exhibit.



An OT architect has implemented a Modbus TCP with a simulation server Conpot to identify and control the Modbus traffic in the OT network. The FortiGate-Edge device is configured with a software switch interface ssw-01.

Based on the topology shown in the exhibit, which two statements about the successful simulation of traffic between client and server are true? (Choose two.)

- A. The FortiGate-Edge device must be in NAT mode.
- B. NAT is disabled in the FortiGate firewall policy from port3 to ssw-01.
- C. The FortiGate devices is in offline IDS mode.
- D. Port5 is not a member of the software switch.

Correct Answer: AC

[Latest NSE7_OTS-6.4 Dumps](#)

[NSE7_OTS-6.4 VCE Dumps](#)

[NSE7_OTS-6.4 Study Guide](#)