

# NSE7\_OTS-6.4<sup>Q&As</sup>

Fortinet NSE 7 - OT Security 6.4

## Pass Fortinet NSE7\_OTS-6.4 Exam with 100% Guarantee

Free Download Real Questions & Answers **PDF** and **VCE** file from:

[https://www.pass2lead.com/nse7\\_ots-6-4.html](https://www.pass2lead.com/nse7_ots-6-4.html)

100% Passing Guarantee  
100% Money Back Assurance

Following Questions and Answers are all new published by Fortinet Official Exam Center

-  **Instant Download** After Purchase
-  **100% Money Back** Guarantee
-  **365 Days** Free Update
-  **800,000+** Satisfied Customers



**QUESTION 1**

Which three Fortinet products can be used for device identification in an OT industrial control system (ICS)? (Choose three.)

- A. FortiNAC
- B. FortiManager
- C. FortiAnalyzer
- D. FortiSIEM
- E. FortiGate

Correct Answer: ACD

---

**QUESTION 2**

An OT network administrator is trying to implement active authentication.

Which two methods should the administrator use to achieve this? (Choose two.)

- A. Two-factor authentication on FortiAuthenticator
- B. Role-based authentication on FortiNAC
- C. FSSO authentication on FortiGate
- D. Local authentication on FortiGate

Correct Answer: AB

---

**QUESTION 3**

An OT administrator configured and ran a default application risk and control report in FortiAnalyzer to learn more about the key application crossing the network. However, the report output is empty despite the fact that some related real-time and historical logs are visible in the FortiAnalyzer.

What are two possible reasons why the report output was empty? (Choose two.)

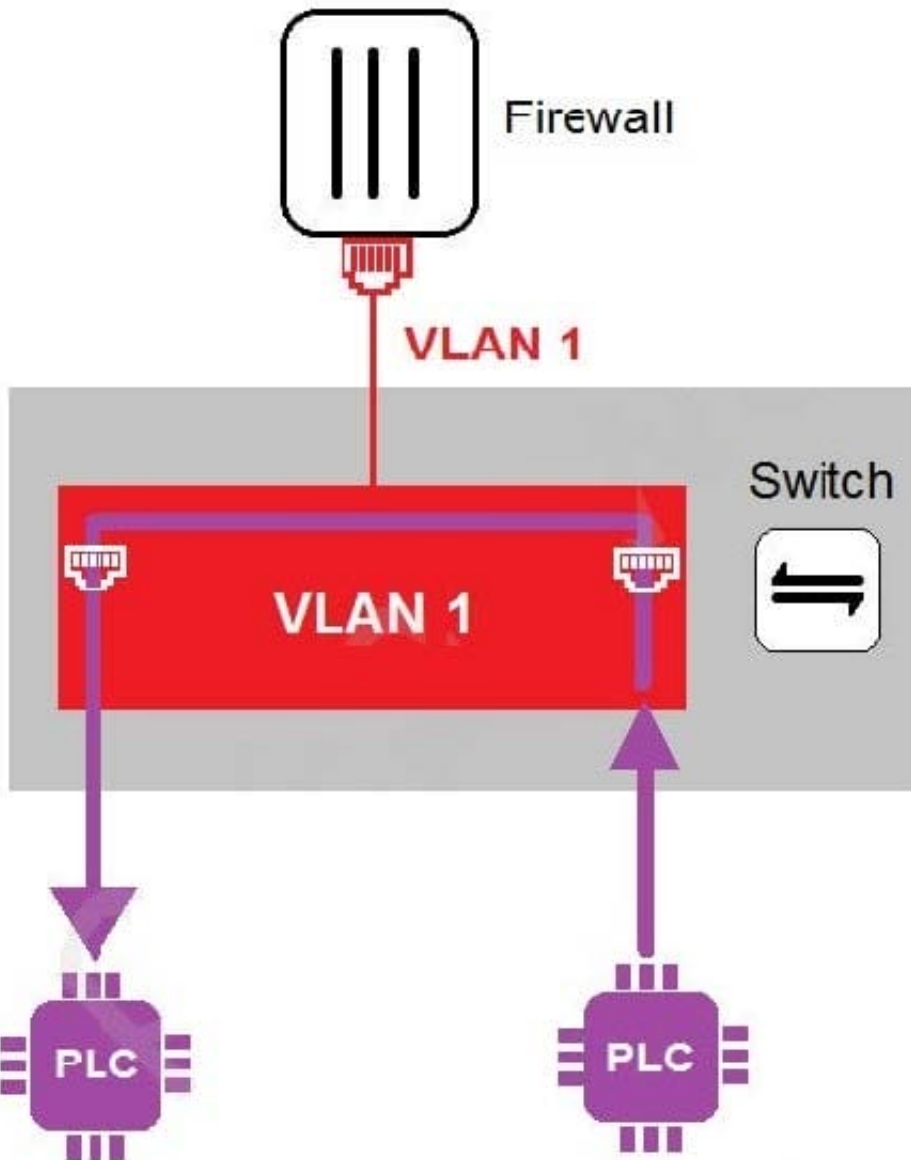
- A. The administrator selected the wrong logs to be indexed in FortiAnalyzer.
- B. The administrator selected the wrong time period for the report.
- C. The administrator selected the wrong devices in the Devices section.
- D. The administrator selected the wrong hcache table for the report.

Correct Answer: BD

---

**QUESTION 4**

Refer to the exhibit.



In the topology shown in the exhibit, both PLCs can communicate directly with each other, without going through the firewall.

Which statement about the topology is true?

- A. PLCs use IEEE802.1Q protocol to communicate each other.
- B. An administrator can create firewall policies in the switch to secure between PLCs.
- C. This integration solution expands VLAN capabilities from Layer 2 to Layer 3.
- D. There is no micro-segmentation in this topology.

Correct Answer: D

---

#### QUESTION 5

An OT administrator deployed many devices to secure the OT network. However, the SOC team is reporting that there are too many alerts, and that many of the alerts are false positive. The OT administrator would like to find a solution that eliminates repetitive tasks, improves efficiency, saves time, and saves resources.

Which products should the administrator deploy to address these issues and automate most of the manual tasks done by the SOC team?

- A. FortiSIEM and FortiManager
- B. FortiSandbox and FortiSIEM
- C. FortiSOAR and FortiSIEM
- D. A syslog server and FortiSIEM

Correct Answer: C

[NSE7\\_OTS-6.4 Practice Test](#)

[NSE7\\_OTS-6.4 Exam Questions](#)

[NSE7\\_OTS-6.4 Braindumps](#)