

# NSE7\_OTS-6.4<sup>Q&As</sup>

Fortinet NSE 7 - OT Security 6.4

## Pass Fortinet NSE7\_OTS-6.4 Exam with 100% Guarantee

Free Download Real Questions & Answers **PDF** and **VCE** file from:

[https://www.pass2lead.com/nse7\\_ots-6-4.html](https://www.pass2lead.com/nse7_ots-6-4.html)

100% Passing Guarantee  
100% Money Back Assurance

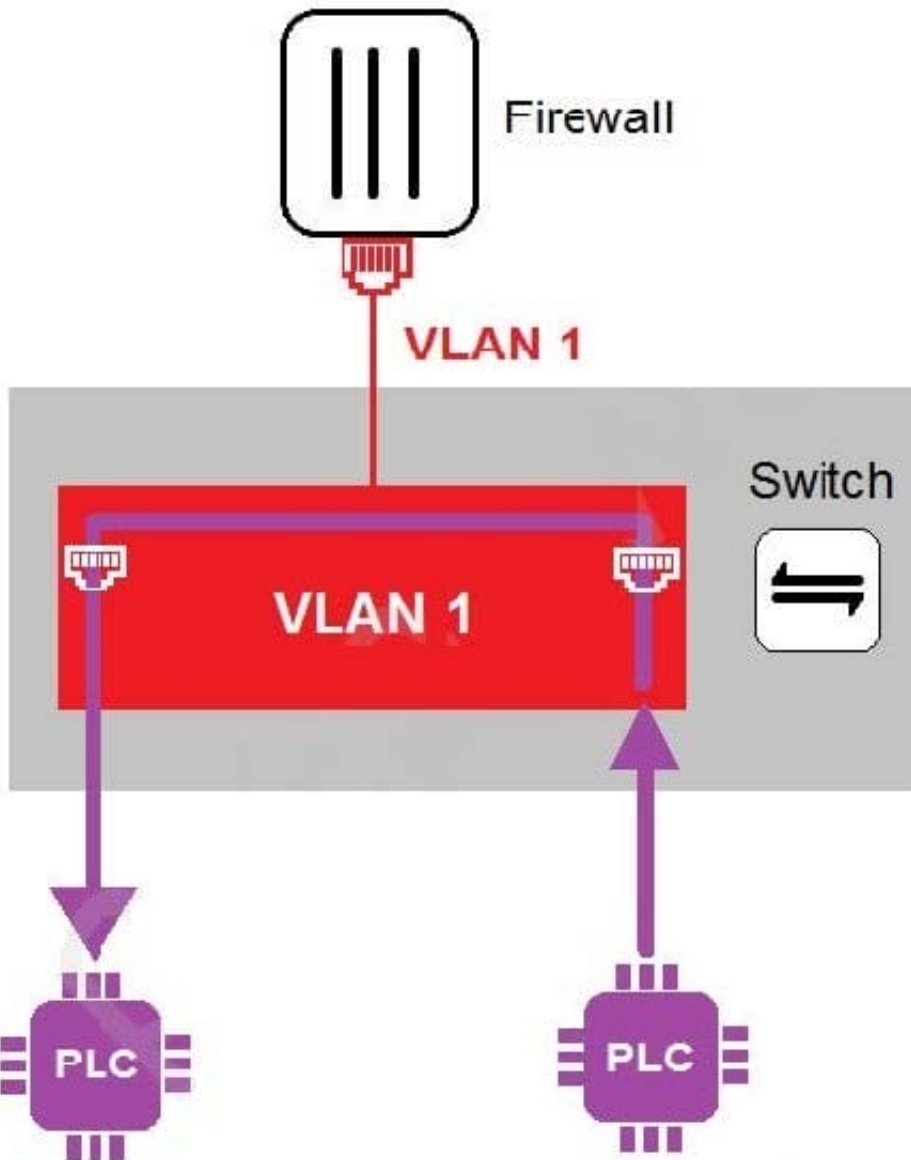
Following Questions and Answers are all new published by Fortinet Official Exam Center

- ⚙️ **Instant Download** After Purchase
- ⚙️ **100% Money Back** Guarantee
- ⚙️ **365 Days** Free Update
- ⚙️ **800,000+** Satisfied Customers



**QUESTION 1**

Refer to the exhibit.



In the topology shown in the exhibit, both PLCs can communicate directly with each other, without going through the firewall.

Which statement about the topology is true?

- A. PLCs use IEEE802.1Q protocol to communicate each other.
- B. An administrator can create firewall policies in the switch to secure between PLCs.
- C. This integration solution expands VLAN capabilities from Layer 2 to Layer 3.
- D. There is no micro-segmentation in this topology.

Correct Answer: D

**QUESTION 2**

Refer to the exhibit.

Device Name	Device Type Vendor	Device Type Model	Device Hardware Model	Device Image File	Count
SJ-QA-A-IOS-JunOffice	Cisco	IOS	1760	C1700-advsecurityk9-mz 123-8.T4.bin	1
SJ-Main-Cat6500	Cisco	IOS	WS-C6509	s72033-advipservicesk9_wan-mz 122-33.SX11.bin	1
ph-network-3560_1	Cisco	IOS	WS-C3560G-48PS-S	c3560-advipservicesk9-mz 122-25.SEE4.bin	1

An OT administrator ran a report to identify device inventory in an OT network. Based on the report results, which report was run?

- A. A FortiSIEM CMDB report
- B. A FortiAnalyzer device report
- C. A FortiSIEM incident report
- D. A FortiSIEM analytics report

Correct Answer: A

**QUESTION 3**

What can be assigned using network access control policies?

- A. Layer 3 polling intervals
- B. FortiNAC device polling methods
- C. Logical networks
- D. Profiling rules

Correct Answer: D

**QUESTION 4**

An administrator wants to use FortiSoC and SOAR features on a FortiAnalyzer device to detect and block any unauthorized access to FortiGate devices in an OT network.

Which two statements about FortiSoC and SOAR features on FortiAnalyzer are true? (Choose two.)

- A. You must set correct operator in event handler to trigger an event.
- B. You can automate SOC tasks through playbooks.
- C. Each playbook can include multiple triggers.
- D. You cannot use Windows and Linux hosts security events with FortiSoC.

Correct Answer: BC

---

#### QUESTION 5

Which three common breach points can be found in a typical OT environment? (Choose three.)

- A. Global hat
- B. Hard hat
- C. VLAN exploits
- D. Black hat
- E. RTU exploits

Correct Answer: CDE

[NSE7\\_OTS-6.4 VCE Dumps](#)

[NSE7\\_OTS-6.4 Exam Questions](#)

[NSE7\\_OTS-6.4 Braindumps](#)