

NSE7_SAC-6.2^{Q&As}

Fortinet NSE 7 - Secure Access 6.2

Pass Fortinet NSE7_SAC-6.2 Exam with 100% Guarantee

Free Download Real Questions & Answers **PDF** and **VCE** file from:

https://www.pass2lead.com/nse7_sac-6-2.html

100% Passing Guarantee
100% Money Back Assurance

Following Questions and Answers are all new published by Fortinet
Official Exam Center

- ⚙️ **Instant Download** After Purchase
- ⚙️ **100% Money Back** Guarantee
- ⚙️ **365 Days** Free Update
- ⚙️ **800,000+** Satisfied Customers



QUESTION 1

Refer to the exhibit.

```
config wireless-controller wtp-profile
edit "Main Networks - FAP-320C"
    set comment "Profile with standard networks"
    config platform
        set type 320C
    end
    set handoff-rssi 30
    set handoff-sta-thresh 30
    set ap-country GB
    set allowaccess https ssh
    set login-passwd-change yes
    config radio-1
        set band 802.11n,g-only
        set channel-utilization enable
        set wids-profile "default-wids-apscan-enabled"
        set darrp enable
        set frequency-handoff enable
        set ap-handoff enable
        set vap-all disable
        set vaps "Guest" "Corporate"
        set channel "1" "6" "11"
    end
    config radio-2
        set band 802.11ac
        set channel-bonding 40MHz
        set channel-utilization enable
        set wids-profile "default-wids-apscan-enabled"
        set darrp enable
        set frequency-handoff enable
        set ap-handoff enable
        set vap-all disable
        set vaps "Guest" "Corporate"
        set channel "36" "44" "52"
    end
end
next
end
```

In the WTP profile configuration shown in the exhibit, the AP profile is assigned to two FAP-320 APs that are installed in an open plan office.

1.

The first AP has 32 clients associated to the 5GHz radios and 22 clients associated to the 2.4GHz radio.

2.

The second AP has 12 clients associated to the 5GHz radios and 20 clients associated to the 2.4GHz radio.

A dual band-capable client enters the office near the first AP and the first AP measures the new client at -33 dBm signal strength. The second AP measures the new client at -43 dBm signal strength.

In the new client attempts to connect to the corporate wireless network, to which AP radio will the client be associated?

- A. The second AP 5GHz interface.
- B. The first AP 2.4GHz interface.
- C. The first AP 5GHz interface.
- D. The second AP 2.4GHz interface.

Correct Answer: A

QUESTION 2

A wireless network in a school provides guest access using a captive portal to allow unregistered users to self-register and access the network. The administrator is requested to update the existing configuration to provide captive portal authentication through a secure connection (HTTPS) to protect and encrypt guest user credentials after they receive the login information when registered for the first time.

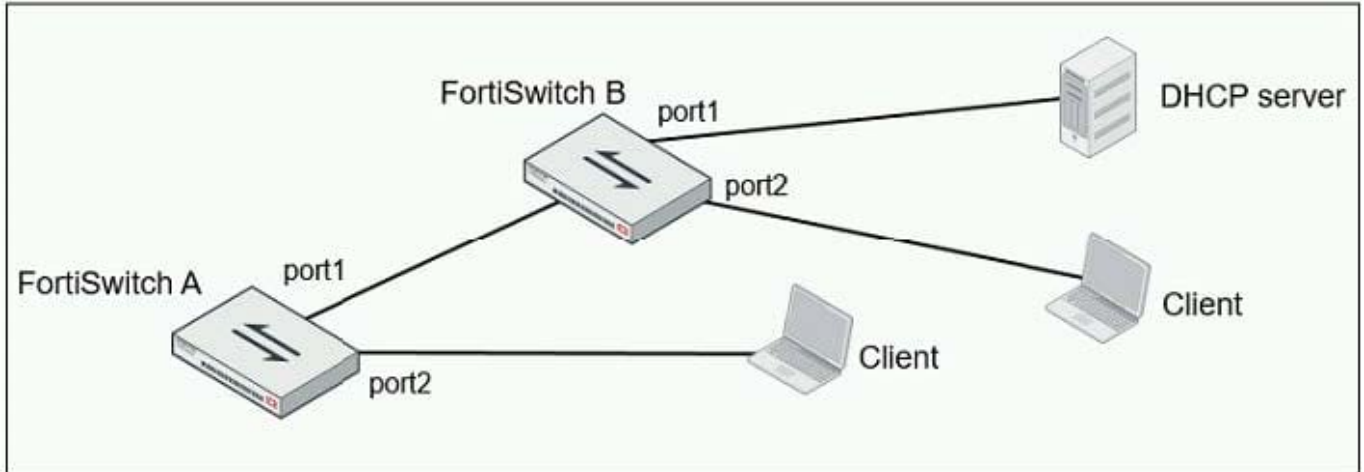
Which two changes must the administrator make to enforce HTTPS authentication? (Choose two.)

- A. Provide instructions to users to use HTTPS to access the network.
- B. Create a new SSID with the HTTPS captive portal URL.
- C. Enable Redirect HTTP Challenge to a Secure Channel (HTTPS) in the user authentication settings
- D. Update the captive portal URL to use HTTPS on FortiGate and FortiAuthenticator

Correct Answer: BD

QUESTION 3

Refer to the exhibit.



Given the network topology shown in the exhibit, which two ports should be configured as untrusted DHCP ports? (Choose two.)

- A. FortiSwitch A, port2
- B. FortiSwitch A, port1
- C. FortiSwitch B, port1
- D. FortiSwitch B, port2

Correct Answer: CD

QUESTION 4

An administrator is deploying APs that are connecting over an IPsec network. All APs have been configured to connect to FortiGate manually. FortiGate can discover the APs and authorize them. However, FortiGate is unable to establish CAPWAP tunnels to manage the APs.

Which configuration setting can the administrator perform to resolve the problem?

- A. Decrease the CAPWAP tunnel MTU size for APs to prevent fragmentation.
- B. Enable CAPWAP administrative access on the IPsec interface.
- C. Upgrade the FortiAP firmware image to ensure compatibility with the FortiOS version.
- D. Assign a custom AP profile for the remote APs with the set mpls-connectionoption enabled.

Correct Answer: B

QUESTION 5

Which two EAP methods can use MSCHAPV2 for client authentication? (Choose two.)

- A. PEAP
- B. EAP-TTLS
- C. EAP-TLS
- D. EAP-GTC

Correct Answer: AC

Reference: https://help.fortinet.com/fauth/3-3/Content/FortiAuthenticator%203_3%20Admin%20Guide/500/501_EAP.htm

[NSE7_SAC-6.2 PDF Dumps](#)

[NSE7_SAC-6.2 VCE
Dumps](#)

[NSE7_SAC-6.2 Braindumps](#)