

TM12^{Q&As}

ISTQB-BCS Certified Tester Advanced Level- Test Manager (2012)

Pass ISTQB TM12 Exam with 100% Guarantee

Free Download Real Questions & Answers **PDF** and **VCE** file from:

<https://www.pass2lead.com/tm12.html>

100% Passing Guarantee
100% Money Back Assurance

Following Questions and Answers are all new published by ISTQB
Official Exam Center

- ⚙️ **Instant Download** After Purchase
- ⚙️ **100% Money Back** Guarantee
- ⚙️ **365 Days** Free Update
- ⚙️ **800,000+** Satisfied Customers



QUESTION 1

Consider an agile team adopting Extreme Programming (XP) with five developers and one tester without any coding experience.

To which of the following activities would you expect the tester will contribute most?

- A. Developing unit tests
- B. Executing unit tests
- C. Planning and executing tests during the integration test phase to detect interface defects
- D. Supporting the customer in the execution of acceptance testing

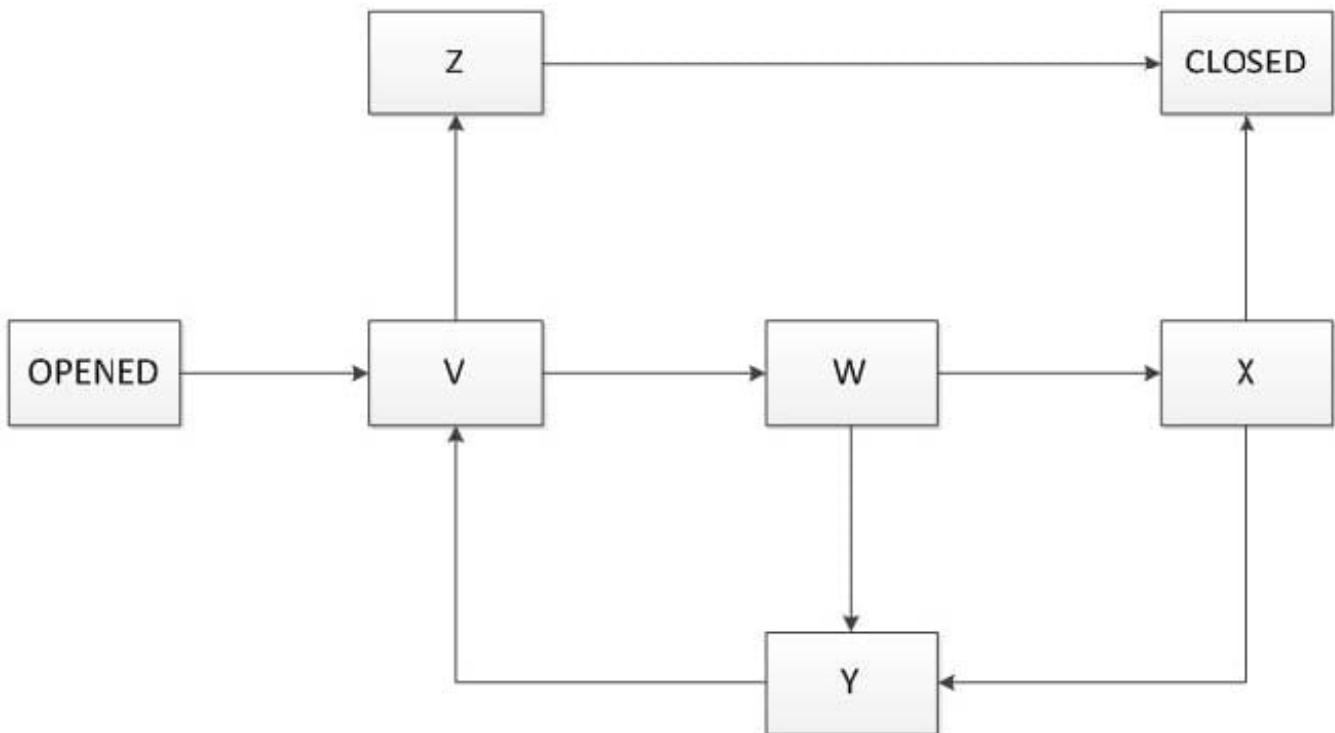
Correct Answer: D

QUESTION 2

Assume you are working on a defect management process to be used by a software organization to track the current status of the defects reports for several projects.

When a defect is found for investigation a defect report is created in "Opened" state that is the unique initial state. The defect report status has also a unique finale state that is the "Closed" state.

The following state transition diagram describes the states of this defect management process:



where only the initial ("Opened") and final ("Closed") states are indicated while the remaining states (V, W, X, Y, Z) have yet to be named.

Which of the following assignments would you expect to best complete the defect management process?

- A. V = Rejected, W = Corrected, X = Validated, Y = Re-Opened, Z = Assigned
- B. V = Assigned, W = Validated, X = Corrected, Y = Re-Opened, Z = Rejected
- C. V = Assigned, W = Corrected, X = Validated, Y = Re-Opened, Z = Rejected
- D. V =Corrected, W = Assigned, X = Validated, Y = Corrected, Z = Rejected

Correct Answer: C

QUESTION 3

Consider the following analysis of testing skills performed on four people: Alex, Robert, John and Mark (all the skills have been rated on an ascending scale: The higher the score, the better the skill): Which of these people, based on this analysis, would you expect to be most suitable to work specifically as test designer?

Testing Skills	Alex	Roberta	John	Mark
Planning				
Estimation and Cost of Quality	3	2	2	5
Documentation	3	3	2	5
Quality Risk Analysis/ Management	2	3	2	5
Design/Development				
Behavioral (Black-Box)	3	5	2	2
Structural (White-Box)	3	5	3	1
Static (Reviews and Analysis)	3	4	3	2
Test Automation				
COTS Execution Tools	5	2	4	3
COTS Test Management	5	2	4	3
Test Data Generators	5	2	4	3
Execution				
Manual (Scripted and Dynamic)	3	3	4	3
Automated	3	3	4	3
Test Status Reporting and Metrics	2	4	4	3
Average Testing Skills	3,36	3,17	3,17	3,15

- A. Alex

B. Roberta

C. John

D. Mark

Correct Answer: B

QUESTION 4

Consider the following list of statements about audits and management reviews:

I. Audits are usually more effective than management reviews at finding defects.

II. Audits and management reviews have the same main goals, the only difference is related to the roles and level of formality.

III. A typical outcome of an audit includes observations and recommendations, corrective actions and a pass/fail assessment.

IV. An audit is not the appropriate mechanism to use at the code review in order to detect defects prior to dynamic testing.

Which of the following statements is true?

A. I and III are true; II and IV are false;

B. II and III are true; I and IV are false;

C. III and IV are true; I and II are false;

D. I, III and IV are true; II. is false;

Correct Answer: C

QUESTION 5

In the test strategy document your organization declares:

to adopt a V-model development lifecycle, with three formal levels of testing: unit, integration and system testing to use a blended risk-based and regression-averse testing strategy for each level of testing

The following is an excerpt of the "approach" section for the system test plan document of a new project:

"Testing will only use manual tests. Due to the short period of time for test execution, the following activities will be performed in parallel with test execution: Test planning, test analysis and test design.

Basic metrics will be taken for test effort (i.e. person-hours), test cases executed (passed/failed), and incidents (no more metrics, such as code coverage, will be collected)."

In the system test plan, no deviations from the test strategy are described. Based only on the given information, which of the following statements is true?

- A. The approach described in the system test plan document is consistent with the test strategy.
- B. The approach described in the system test plan document is consistent with the risk-based testing strategy, but it is inconsistent with the regression testing strategy.
- C. The approach described in the system test plan document is consistent with the regression testing strategy, but it is inconsistent with the risk-based testing strategy.
- D. The approach described the system test plan document is inconsistent with both the risk-based and regression testing strategies.

Correct Answer: D

[TM12 PDF Dumps](#)

[TM12 VCE Dumps](#)

[TM12 Practice Test](#)