



# 640-916<sup>Q&As</sup>

Introducing Cisco Data Center Technologies (Retired)

## Pass Cisco 640-916 Exam with 100% Guarantee

Free Download Real Questions & Answers **PDF** and **VCE** file from:

<https://www.pass4lead.com/640-916.html>

100% Passing Guarantee  
100% Money Back Assurance

Following Questions and Answers are all new published by Cisco  
Official Exam Center

-  **Instant Download** After Purchase
-  **100% Money Back** Guarantee
-  **365 Days** Free Update
-  **800,000+** Satisfied Customers





### QUESTION 1

Which SAN Fabric technology is used to restrict access between initiators and targets?

- A. zoning
- B. VSANs
- C. LUN masking
- D. LUN mapping

Correct Answer: A

---

### QUESTION 2

A network engineer is configuring a pair of 6248 Fabric Interconnects, each with dual 10G uplinks to a parent switch. One design requirement is to ensure a specific server is able to use 10G of throughput to the LAN without contention from other servers within the 5108 chassis. Which technology will accomplish this?

- A. LAN Pin Groups
- B. Port-Channels
- C. System QoS Policy
- D. Unified Ports

Correct Answer: A

---

### QUESTION 3

Scenario:

Customer is configuring FCoE and NPV in their Data Center on Cisco Nexus 5000 Series Switches. Please go through the Topology and Exhibit 1 through 4 to answer the following questions.

Topology:

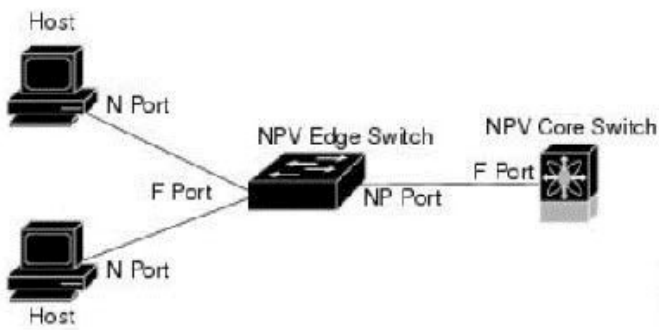


Exhibit 1

```
switch# configure terminal
switch(config)# npv enable
```

Exhibit 2

```
Switch# show npv flogi-table
```

SERVER						EXTERNAL
INTERFACE	VSAN	FCID	PORT NAME	NODE NAME		INTERFACE
vfc3/1	1	0xee0c08	19:C0:00:0C:c9:60:e4:9a	20:00:0C:00:c9:60:e4:9a		fc2/1
vfc3/1	1	0xee0c09	20:C0:00:0C:0a:00:00:01	20:00:0C:00:c9:60:e4:9a		fc2/2
vfc3/1	1	0xee0c0a	20:C0:00:0C:0a:00:00:02	20:00:0C:00:c9:60:e4:9a		fc2/3
vfc3/1	1	0xee0c0b	33:33:33:33:33:33:33:33	20:00:0C:00:c9:60:e4:9a		fc2/4

Total number of flogi = 4



Exhibit 3

```
switch# show npv status
npiv is enabled

External Interfaces:
=====
Interface: fc2/1, VSAN: 1, FCID: 0x1c0000, State: Up
Interface: fc2/2, VSAN: 1, FCID: 0x040000, State: Up
Interface: fc2/3, VSAN: 1, FCID: 0x260000, State: Up
Interface: fc2/4, VSAN: 1, FCID: 0x1a0000, State: Up
Number of External Interfaces: 4

Server Interfaces:
=====
Interface: vfc3/1, VSAN: 1, NPV: No, State: Up
Number of Server Interfaces: 1
```

Exhibit 4

```
switch# show npv status
npiv is enabled
disruptive load balancing is enabled

External Interfaces:
=====
Interface: fc2/1, VSAN: 2, FCID: 0x1c0000, State: Up
```

Which two statements are true regarding disruptive load balancing and regarding the configuration in this example? (Choose two).

- A. In this scenario disruptive load balancing is disabled.
- B. In this scenario disruptive load balancing is enabled.
- C. Since FCID: 0x1c0000 is reserved, disruptive load balancing is not configured correctly.
- D. When disruptive load balancing is enabled, NPV redistributes the server interfaces across all available NP uplinks when a new NP uplink becomes operational. To move a server interface from one NP uplink to another NP uplink, NPV forces reinitialization of the server interface so that the server performs a new login to the core switch.



Correct Answer: AD

---

#### QUESTION 4

An engineer is configuring a new MDS switch. The switch is powered on, the customer connects to the console, and the initial setup script is started. Which two items can be configured during this setup process? (Choose two.)

- A. default switchport interface state
- B. default zone mode
- C. default port-channel mode
- D. default storage VDC
- E. default port VSAN membership

Correct Answer: AB

---

#### QUESTION 5

What two options are necessary to complete the installation of the Nexus 1000v Virtual Supervisor Module? (Choose two.)

- A. VLAN addresses
- B. NTP server address
- C. VSM management IP address
- D. Domain ID
- E. DNS server address

Correct Answer: CD

---

#### QUESTION 6

Which type of interface is created on the Cisco Nexus 5548 Switch to represent ports connected to a FEX?

- A. HIF (host interface)
- B. LIF (logical interface)
- C. connected Ethernet
- D. SIF (satellite interface)
- E. VIF (virtual interface)

Correct Answer: E

---



### QUESTION 7

Which is the default Predictor in the Cisco ACE 4710 Appliance?

- A. least loaded
- B. round robin
- C. hash cookie
- D. least bandwidth
- E. least connections

Correct Answer: B

---

### QUESTION 8

In a large enterprise, which two SAN switches are ideal core switches for providing high availability? (Choose two.)

- A. Cisco Nexus 5548
- B. Cisco MDS 9710
- C. Cisco MDS 9509
- D. Cisco Nexus 7028
- E. Cisco MDS 9222i

Correct Answer: BC

---

### QUESTION 9

A Cisco UCS administrator wants only the Cisco UCS chassis with four connections between each IOM and the Fabric Interconnect pair to be recognized. Which policy and corresponding action must be configured?

- A. Chassis/FEX Discovery Policy, Action: 4-link
- B. Chassis/FEX Discovery Policy, Redundancy Action: N+1
- C. Rack Management Connection Policy, Action: 4-link
- D. Power Policy, Redundancy Action: Grid
- E. Rack Server Discovery Policy, Action: 4-link

Correct Answer: A

---



#### QUESTION 10

Which two benefits are achieved by server virtual machines when compared to traditional computing hardware deployments? (Choose two.)

- A. server isolation
- B. increased hardware utilization
- C. reduced server configuration
- D. decreased bandwidth
- E. single management interface

Correct Answer: AB

---

#### QUESTION 11

What are two features of a Cisco Nexus 2232TM Fabric Extender? (Choose two.)

- A. unified ports
- B. 4 uplink ports
- C. RJ45 host interfaces
- D. 10 Gigabit uplinks
- E. 100/1000/10000 Mbps connectivity
- F. SFP+ host interfaces
- G. side-to-back airflow

Correct Answer: CD

---

#### QUESTION 12

Which two installation models are supported by Cisco virtual interfaces? (Choose two.)

- A. pass-through switching
- B. hypervisor controlled
- C. native switching
- D. channeled uplink
- E. store-and-forward switching

Correct Answer: AB

---



VCE & PDF

Pass4Lead.com

<https://www.pass4lead.com/640-916.html>

2021 Latest pass4lead 640-916 PDF and VCE dumps Download

---

[640-916 PDF Dumps](#)

[640-916 Exam Questions](#)

[640-916 Braindumps](#)





To Read the [Whole Q&As](#), please purchase the [Complete Version](#) from [Our website](#).

## Try our product !

100% Guaranteed Success

100% Money Back Guarantee

365 Days Free Update

Instant Download After Purchase

24x7 Customer Support

Average 99.9% Success Rate

More than 800,000 Satisfied Customers Worldwide

Multi-Platform capabilities - [Windows](#), [Mac](#), [Android](#), [iPhone](#), [iPod](#), [iPad](#), [Kindle](#)

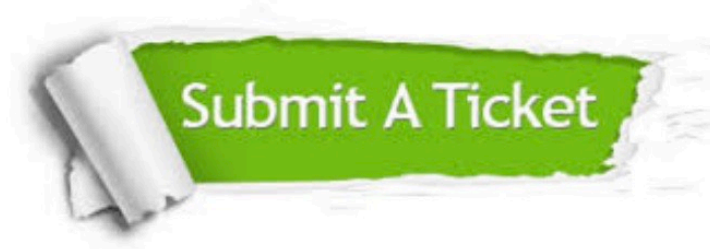
We provide exam PDF and VCE of Cisco, Microsoft, IBM, CompTIA, Oracle and other IT Certifications. You can view Vendor list of All Certification Exams offered:

<https://www.pass4lead.com/allproducts>

## Need Help

Please provide as much detail as possible so we can best assist you.

To update a previously submitted ticket:



 <p><b>One Year Free Update</b> Free update is available within One Year after your purchase. After One Year, you will get 50% discounts for updating. And we are proud to boast a 24/7 efficient Customer Support system via Email.</p>	 <p><b>Money Back Guarantee</b> To ensure that you are spending on quality products, we provide 100% money back guarantee for 30 days from the date of purchase.</p>	 <p><b>Security &amp; Privacy</b> We respect customer privacy. We use McAfee's security service to provide you with utmost security for your personal information &amp; peace of mind.</p>
---	---	--

Any charges made through this site will appear as Global Simulators Limited.

All trademarks are the property of their respective owners.

Copyright © pass4lead, All Rights Reserved.