

JN0-1361^{Q&As}

Service Provider Design Specialist (JNCDS-SP)

Pass Juniper JN0-1361 Exam with 100% Guarantee

Free Download Real Questions & Answers **PDF** and **VCE** file from:

<https://www.pass2lead.com/jn0-1361.html>

100% Passing Guarantee
100% Money Back Assurance

Following Questions and Answers are all new published by Juniper
Official Exam Center

- ⚙️ **Instant Download** After Purchase
- ⚙️ **100% Money Back** Guarantee
- ⚙️ **365 Days** Free Update
- ⚙️ **800,000+** Satisfied Customers



QUESTION 1

You are asked to improve the convergence time in your large enterprise WAN. Each branch office network is multihomed to two central aggregation points using BGP.

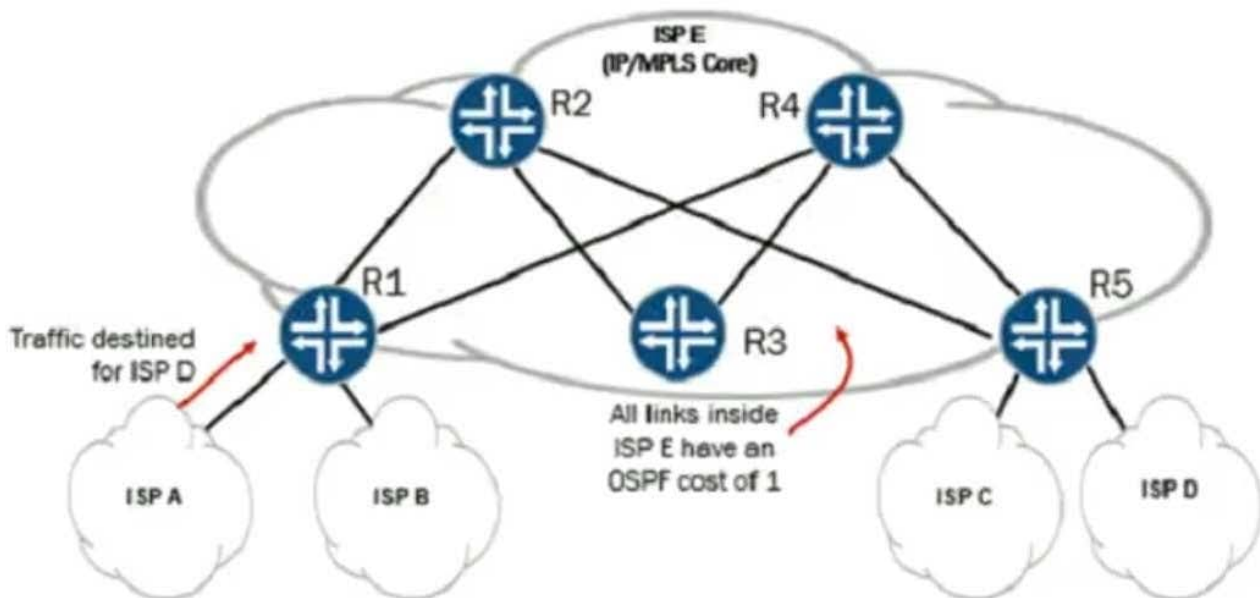
Which action would satisfy the requirement?

- A. Provision more WAN bandwidth.
- B. Increase interface hold timers.
- C. Decrease interface hold timers.
- D. Use Bidirectional Forwarding Detection.

Correct Answer: D

QUESTION 2

Exhibit: You are asked to ensure that most traffic that traverses your network is load balanced over all of the equal cost links between the routers in your network. However, you must also ensure that traffic from ISP A that is destined for ISP D must traverse the R1-R2-R3-R4-R5 path. Referring to the exhibit how would you accomplish this task?



- A. Force the ISP A to ISP D traffic over RSVP-signaled LSPs.
- B. Adjust the BGFs LOCAL PREF attribute to ensure that the raw IP packets follow the required path.
- C. Adjust the OSPF metrics of each link so that the raw IP packets follow the required path.
- D. Force the ISP A to ISP D traffic over LDP-signaled LSPs.

Correct Answer: A

QUESTION 3

You are designing a solution for an energy trading organization that allows them to stream natural gas prices to trading partners. Prices will be streamed to trading partners using the Internet. Trading regulations require that any trading data streamed over a public network must be encrypted and authenticated. Which connectivity solution meets these requirements?

- A. L2VPN
- B. IPsec
- C. VPLS
- D. L3VPN

Correct Answer: B

QUESTION 4

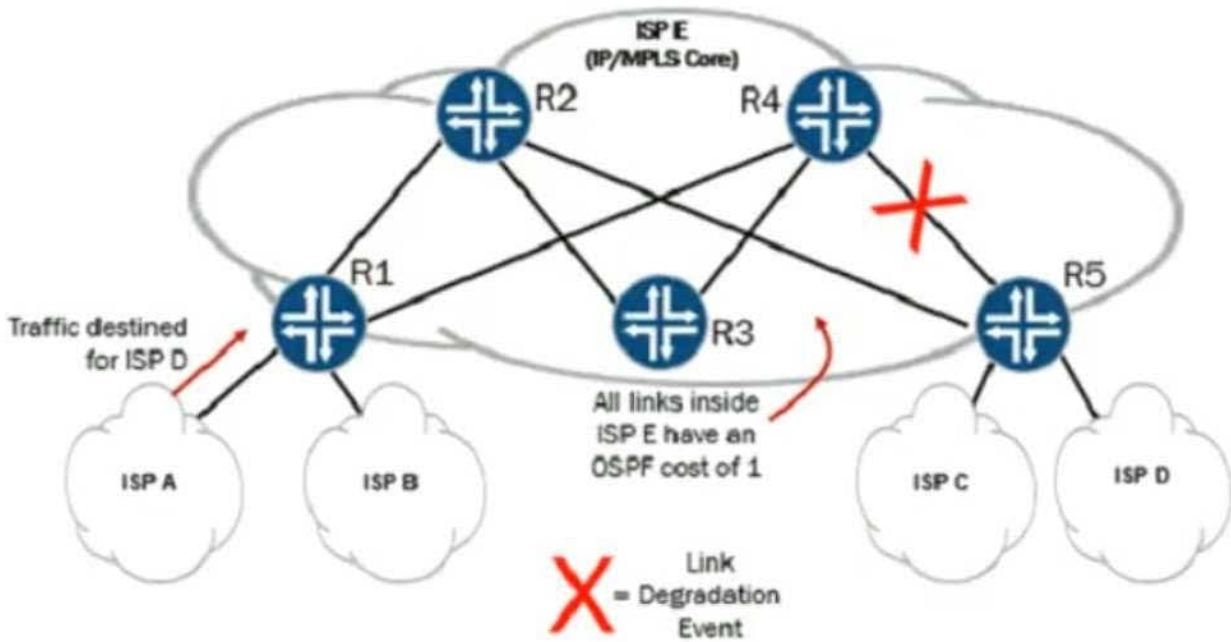
Your customer requires redundant routers and wants to use VRRP for the default gateway at their Internet edge. Which two statements are correct in this scenario? (Choose two)

- A. VRRP will only support two routers
- B. The VRRP master and backup send advertisements to each other at regular intervals.
- C. VRRP dynamically elects master and backup routers
- D. VRRP for IPv6 provides a much faster switchover to an alternate default router than IPv6 neighbor discovery procedures

Correct Answer: BC

QUESTION 5

Exhibit: Within ISP E, R1 is load-balancing traffic destined to ISP D over the R1-R2-R5 and R1-R4-R5 paths. At some point, a link degradation event occurs in the network as shown in the exhibit. You want R1 to rapidly learn of the path failure.



- A. Adjust the OSPF hello timer to a subsecond value between R1 and R4.
- B. Enable Bidirectional Forwarding Detection between R1 and R4.
- C. Enable Bidirectional Forwarding Detection between R4 and R5.
- D. Adjust the OSPF hello timer to a subsecond value between R4 and R5.

Correct Answer: C

QUESTION 6

Your customer's enterprise is adding geographically-dispersed branch offices and requires new WAN connections. The primary design consideration for this expansion is low cost but the branches must remain secure with low latency.

Which type of Internet access model satisfies the customer's requirement in this scenario?

- A. distributed model with security at the hub
- B. centralized model with security at the hub
- C. centralized model with security at each branch
- D. distributed model with security at each branch

Correct Answer: D

QUESTION 7

Your client asked you to design a solution with the requirements shown below.

Have better traffic engineering for applications across an existing MPLS core.

Support both IPv4 and IPv6 traffic

Work with an MX Series core.

Work with a North Star Controller

Work with existing IGP (ISIS)

Which feature would you recommend be implemented in this solution?

A. zero touch provisioning

B. segment routing

C. CoS-based forwarding

D. opaque area LSAs

Correct Answer: B

QUESTION 8

Your applications are migrating from a legacy data center to an EVPN over a VXLAN-based VM environment. A few critical legacy applications not support this environment and must remain on bare metal servers and the applications must be able to access the Internet. What must be included in the VXLAN design to satisfy these requirements?

A. VTEP tunneling

B. VXLAN gateway

C. SR-IOV

D. nested VM capability

Correct Answer: B

https://www.juniper.net/documentation/en_US/releaseindependent/solutions/topics/concept/solutionevpn-vxlan-understanding.html

QUESTION 9

Which two statements describe why service providers have migrated to IP/MPLS networks? (Choose two.)

A. MPLS labels enable several logically separated networks to share a common network infrastructure.

B. A single router can be an ingress, egress or transit router for multiple LSPs simultaneously.

- C. The MPLS ingress router encapsulates IP packets in an MPLS frame and forwards it to the next router in the path.
- D. MPLS virtualization allows a service provider to use statistical multiplexing to maximize resource utilization.

Correct Answer: AD

QUESTION 10

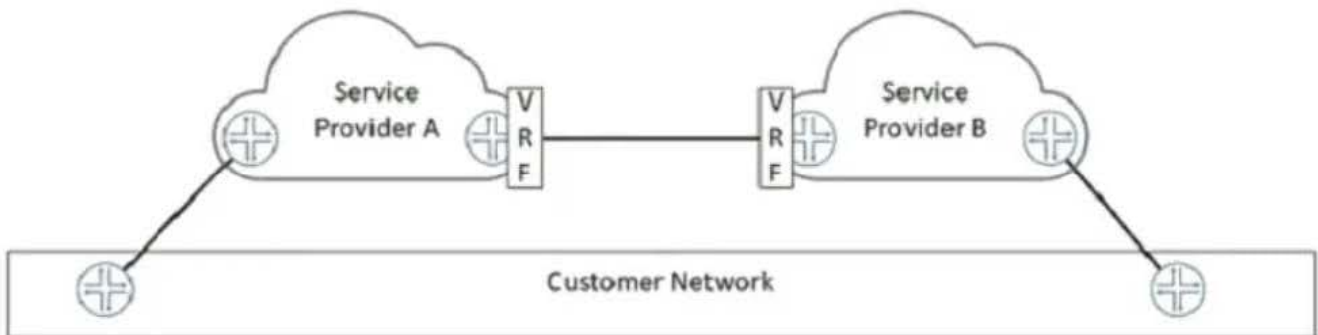
What are two ways that allow BGP route reflectors to advertise more optimal IGP next hops? (Choose two)

- A. Use BGP-ORR.
- B. Use SPRING.
- C. Implement route reflectors at each POP.
- D. Implement a centralized route reflector.

Correct Answer: AD

QUESTION 11

Exhibit:



Referring to the exhibit which statement is true about the connectivity between service provider A and B regarding the customer's network information?

- A. The service providers must set up MPLS label exchange between each other for this scenario to work.
- B. The customer is acting as a colocation (meet-me) for an inter-network routing scenario shown in the exhibit.
- C. The service providers must set up MP-BGP between each other to support this inter-network routing.
- D. The service providers may not be aware that they are providing inter-network routing for the customer.

Correct Answer: C

QUESTION 12

Which two statements about BFD are correct? (Choose two)

- A. BFD provides link failure detection for static routes.
- B. BFD modifies each protocol timer to improve link failure detection.
- C. NSR maintains BFD sessions during Routing Engine switchover.
- D. GRES is required for BFD sessions to be established.

Correct Answer: AC

https://www.juniper.net/documentation/en_US/junos/topics/topic-map/policy-bfd-static-routes.html https://www.juniper.net/documentation/en_US/junos/topics/reference/requirements/nsrsystemrequirements.html#section-nonstop-routing-bfd-support

QUESTION 13

You have a service provider customer that wants to offer services in a new market. They need to have a lower cost-of-entry broadcast network gateway.

Which product would satisfy this requirement?

- A. vSRX with the appropriate licenses
- B. vCPE with the appropriate licenses
- C. uCPE with the appropriate licenses
- D. vMX with the appropriate licenses

Correct Answer: D

QUESTION 14

You are implementing an MPLS-based WAN environment to connect remote sites to the corporate headquarters (HQ). However, the service provider at the HQ location does not provide service at the location of one of the remote sites.

Which statement is true in this scenario?

- A. A dedicated leased line will need to be used to connect to the remote site.
- B. A circuit can be bridged across multiple service providers for end-to-end connectivity.
- C. A public WAN circuit can be provisioned over the Internet that will provide the same level of service.
- D. A hub site in a location where both service providers have a presence will need to be deployed.

Correct Answer: B

QUESTION 15

Your organization maintains container-based applications hosted by two different cloud service providers.

You are asked to design a Layer 2 connection between the two cloud data centers. The data center interconnect solution must support control plane MAC learning.

Which Layer 2 data center interconnect model satisfies this requirement?

- A. L3VPN
- B. L2VPN
- C. VPLS
- D. EVPN

Correct Answer: D

[JN0-1361 PDF Dumps](#)

[JN0-1361 Study Guide](#)

[JN0-1361 Exam Questions](#)