

# JN0-663<sup>Q&As</sup>

Service Provider Routing and Switching, Professional (JNCIP-SP)

## Pass Juniper JN0-663 Exam with 100% Guarantee

Free Download Real Questions & Answers **PDF** and **VCE** file from:

<https://www.pass2lead.com/jn0-663.html>

100% Passing Guarantee  
100% Money Back Assurance

Following Questions and Answers are all new published by Juniper  
Official Exam Center

- ⚙️ **Instant Download** After Purchase
- ⚙️ **100% Money Back** Guarantee
- ⚙️ **365 Days** Free Update
- ⚙️ **800,000+** Satisfied Customers



**QUESTION 1**

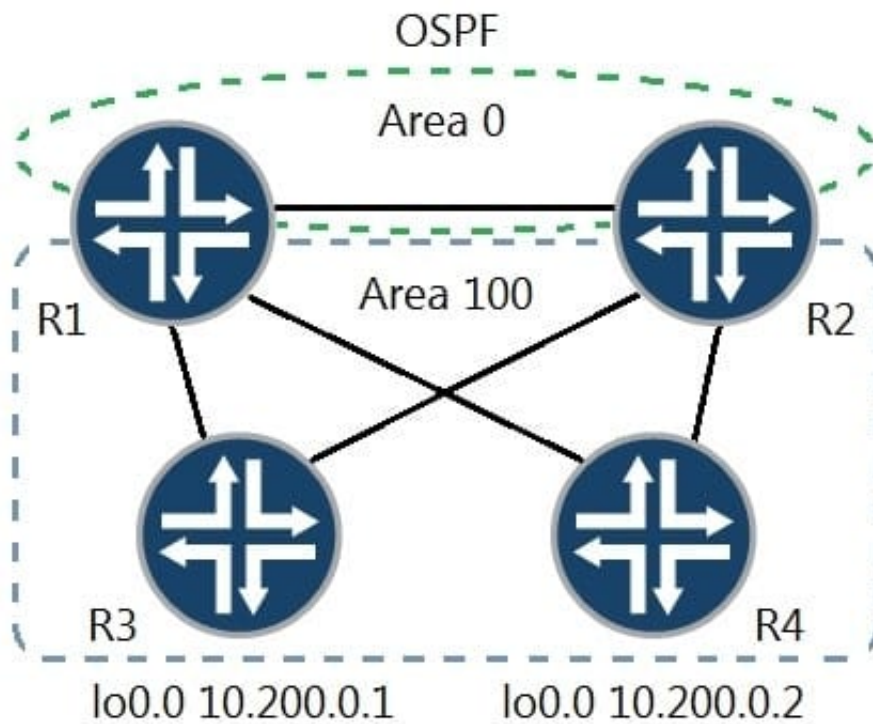
You are creating a new LDP signaled Layer 2 circuit between three customer sites.

In this scenario, which two statements are correct? (Choose two.)

- A. BGP is used to exchange the virtual circuit labels with other PEs.
- B. You are allowed to tunnel your LDP sessions through RSVP LSPs.
- C. You are not allowed to use any RSVP-signaled LSPs in your core network.
- D. LDP is used to exchange the virtual circuit labels with other PEs.

Correct Answer: BD

**QUESTION 2**



Traffic is being sent from R2 to R3. The link between R2 and R3 fails. Referring to the exhibit, which statement is correct?

- A. Traffic will automatically reroute using the shortest path, which is R2 to R1 to R3.
- B. Traffic will automatically reroute distributed between all available paths.
- C. Manual intervention is required for traffic to be rerouted.
- D. Traffic will automatically reroute using R2 to R4 to R1 to R3.

Correct Answer: D

---

### QUESTION 3

Which two statements are correct about Opaque LSAs in OSPF? (Choose two.)

- A. Type 10 LSAs are used for MPLS traffic-engineering and have area scope.
- B. Type 11 LSAs are used for MPLS traffic-engineering and have area scope.
- C. Type 11 LSAs are used for MPLS label exchange and have link-local scope
- D. Type 9 LSAs are used for graceful-restart and have link-local scope

Correct Answer: AD

---

### QUESTION 4

```
user@PE1> show route table vpnna.mvpn.0
vpnna.mvpn.0: 6 destinations, 9 routes (6 active, 1 holddown, 0 hidden)
+ = Active Route, - = Last Active, * = Both
1:10.1.1.1:1:10.1.1.1/240
 * [MVPN/70] 04:09:44, metric2 1
  Indirect
```

The route shown in the exhibit is an example of which type of next-generation MVPN route?

- A. Type 1 Intra-AS inclusive MVPN membership discovery
- B. Type 4 Selective MVPN autodiscovery route for leaf
- C. Type 3 Selective MVPN autodiscovery route
- D. Type 2 Inter-AS inclusive MVPN membership discovery

Correct Answer: A

Reference: <https://www.juniper.net/documentation/us/en/software/junos/multicast/topics/concept/type1intra-as-ad-routes-originating.html>

---

### QUESTION 5

```
user@R1> show ospf3 interface
Interface      State      Area      DR ID      BDR ID      Nbrs
ge-0/0/0.0    DR        0.0.0.0   172.16.1.2 172.16.1.1   1
ge-0/0/0.0    PtToPt    0.0.0.1   0.0.0.0    0.0.0.0     1
ge-0/0/1.0    BDR       0.0.0.1   172.16.1.1 172.16.1.2   1

user@R1> show ospf3 neighbor
ID            Interface  State  Pri    Dead
172.16.1.1   ge-0/0/0.0 Full   128    39
  Neighbor-address fe80::20c:29ff:fef9:7f7b
  Area 0.0.0.0
172.16.1.1   ge-0/0/0.0 Full   128    37
  Neighbor-address fe80::20c:29ff:fef9:7f7b
  Area 0.0.0.1
172.16.1.1   ge-0/0/1.0 Full   128    37
  Neighbor-address fe80::20c:29ff:fef9:7f85
  Area 0.0.0.1
```

Referring to the exhibit, which OSPFv3 configuration is implemented on router R1?

- A. set protocols ospf3 area 0.0.0.0 interface ge-0/0/0.0 set protocols ospf3 area 0.0.0.1 interface ge-0/0/1.0 set protocols ospf3 area 0.0.0.1 interface ge-0/0/0.0
- B. set protocols ospf3 area 0.0.0.0 interface ge-0/0/0.0 set protocols ospf3 area 0.0.0.1 interface ge-0/0/1.0 set protocols ospf3 area 0.0.0.1 virtual-link neighbor-id 172.16.1.2
- C. set protocols ospf3 area 0.0.0.0 interface ge-0/0/0.0 set protocols ospf3 area 0.0.0.1 interface ge-0/0/1.0 set protocols ospf3 area 0.0.0.1 interface ge-0/0/0.0 secondary
- D. set protocols ospf3 area 0.0.0.0 interface ge-0/0/0.0 set protocols ospf3 area 0.0.0.1 interface ge-0/0/1.0 set protocols ospf3 area 0.0.0.1 interface ge-0/0/0.0 interface-type p2p

Correct Answer: D

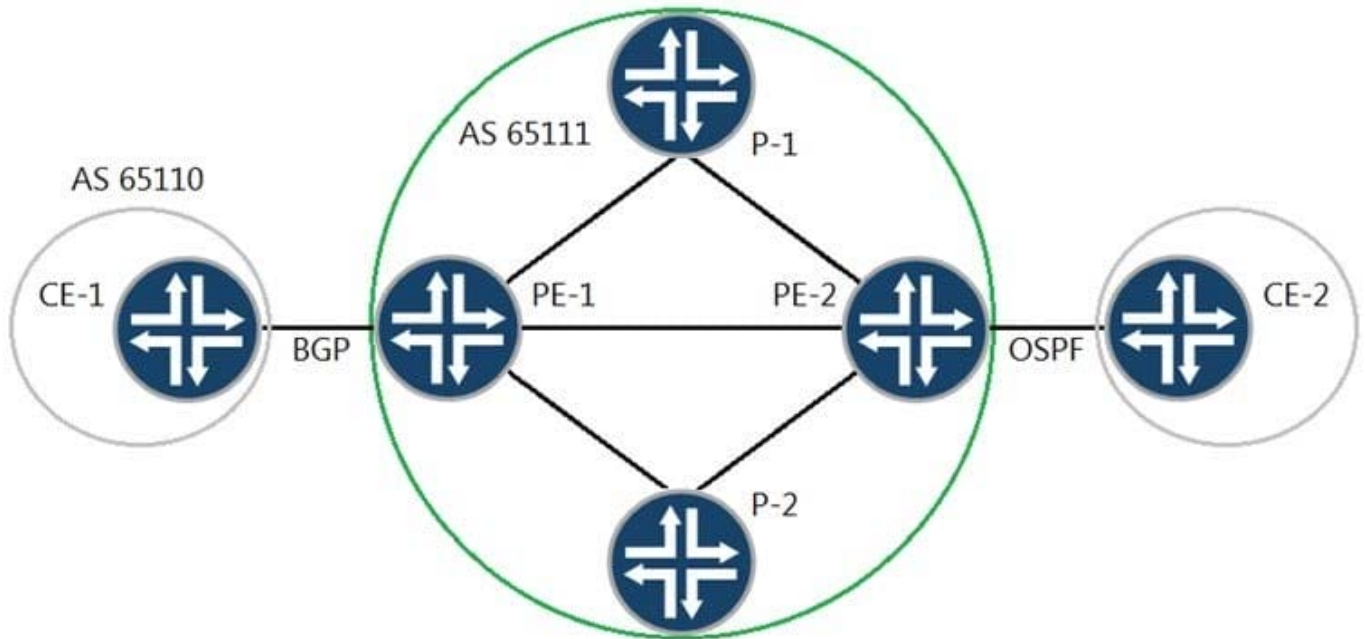
## QUESTION 6

What occurs when a router running IS-IS receives an LSP with the overload bit set?

- A. The LSP is ignored during SPF calculation.
- B. The LSP is not added to the link-state database.
- C. The LSP's metric will be set to 65535.
- D. The LSP's metric will be set to 16777215.

Correct Answer: D

**QUESTION 7**



You have a Layer 3 VPN established between PE-1 and PE-2 to allow communication between CE-1 and CE-2. You want to establish communication between CE-1 and CE-2.

Referring to the exhibit, which statement is correct?

- A. You will need a BGP export policy on PE-1 to redistribute the OSPF routes, learned from PE-2, to the CE1 BGP neighbor.
- B. You will need a VRF import policy on PE-2 to advertise the OSPF routes, learned from CE-2, through the Layer 3 VPN.
- C. You will need a VRF export policy on PE-2 to redistribute the OSPF routes, learned from CE-2, through the Layer 3 VPN.
- D. You will need a VRF import policy on PE-1 to receive the OSPF routes, learned from PE-2, through the Layer 3 VPN.

Correct Answer: C

**QUESTION 8**

You have a mixed vendor EVPN environment and you need to ensure VXLAN interoperability between all devices.

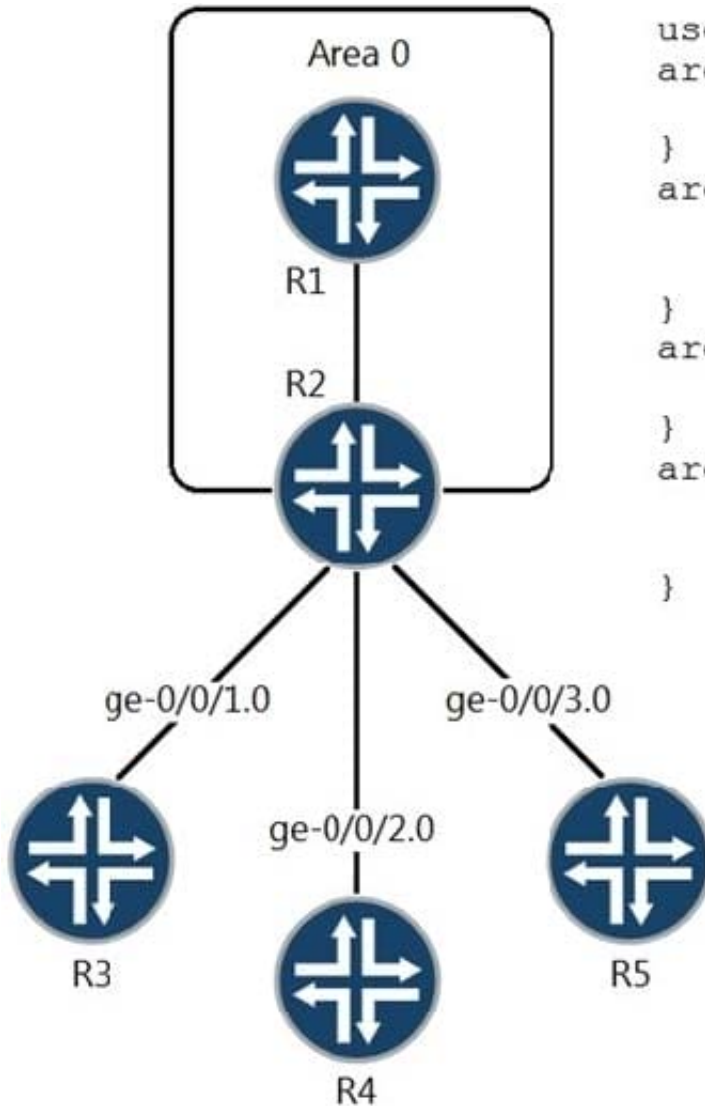
In this scenario, which statement is correct?

- A. You should only use pure Type 2 routes.
- B. You should only use pure Type 5 routes.
- C. You should only use Type 2 and Type 5 routes.

D. You should only use Type 6 and Type 2 routes.

Correct Answer: C

**QUESTION 9**



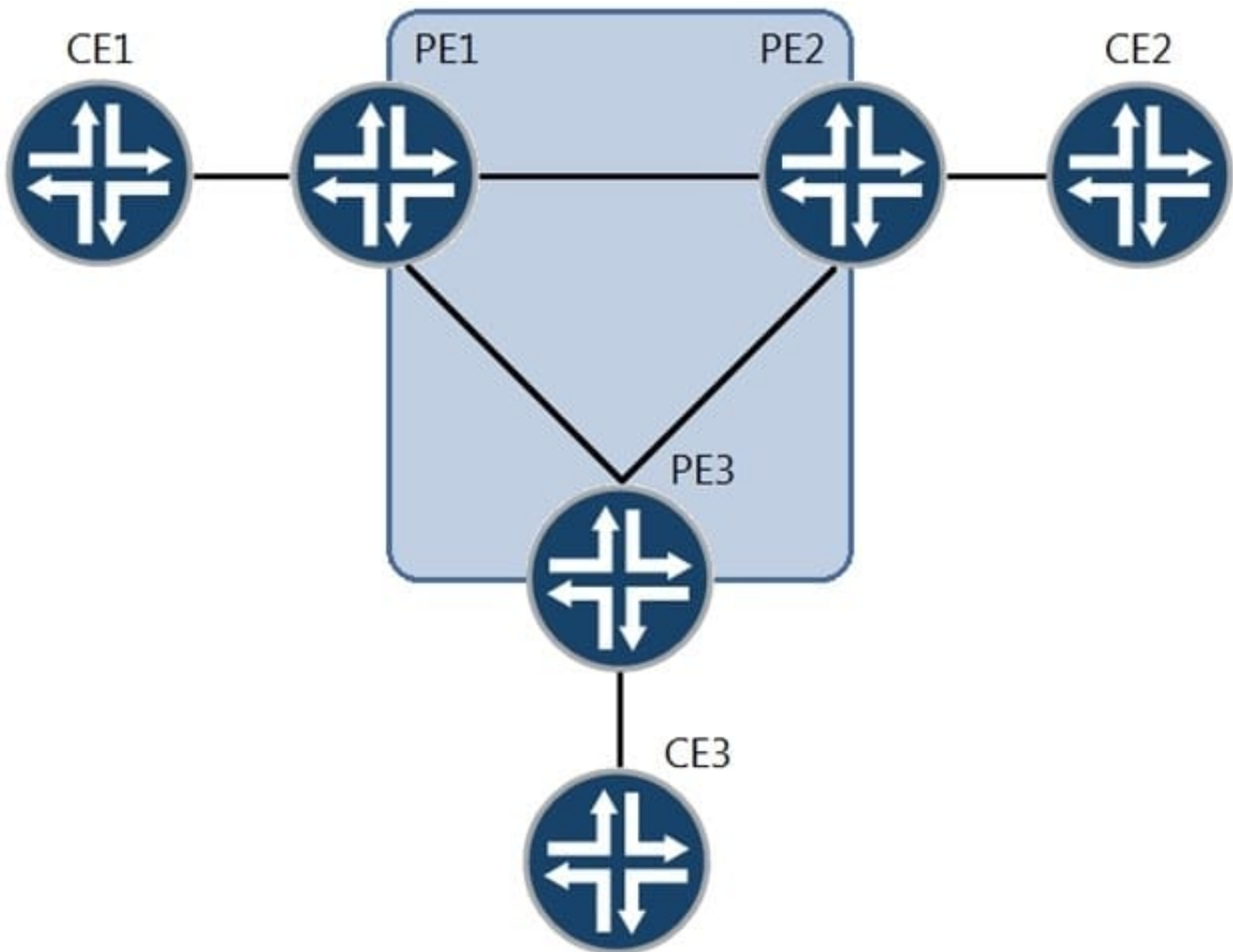
```
user@R2# show protocols ospf3
area 0.0.0.0 {
    interface ge-0/0/0.0;
}
area 0.0.0.1 {
    nssa;
    interface ge-0/0/1.0;
}
area 0.0.0.2 {
    interface ge-0/0/2.0;
}
area 0.0.0.3 {
    nssa;
    interface ge-0/0/3.0;
}
```

A network administrator is concerned about the number of LSAs that they are observing on the network. What will reduce Type 7 LSAs advertised from R2 to the non-backbone routers shown in the exhibit?

- A. Configure no-summaries under area 0.0.0.2 on R2.
- B. Configure nssa under area 0.0.0.2 on R2.
- C. Configure no-nssa-abr under protocols ospf3 on R2.
- D. Configure no-summaries under protocols ospf3 on R2.

Correct Answer: C

**QUESTION 10**



You are provisioning Layer 2 circuits between sites CE1, CE2, and CE3.

Referring to the exhibit, which statement is true?

- A. A point-to-multipoint LSP must be created between sites.
- B. Each site must have only one VLAN configured to the PE.
- C. Site PE1 must have a point-to-multipoint link configured towards the core.
- D. Two VLANs must be configured from PE 1 to CE 1.

Correct Answer: D

**QUESTION 11**

```
user@router# run show route extensive table bgp.evpn.0 | find
1:10.101.100.3:0::22222222222222222222::FFFF:FFFF/192
1:10.101.100.3:0::22222222222222222222::FFFF:FFFF/192 AD/ESI (1 entry, 1 announced)
TSI:
Page 0 idx 0, (group IBGP-EVPN-POD1 type Internal) Type 1 val 0x1022f36c (adv_entry)
  Advertised metrics:
    Nexthop: 10.101.100.3
    Localpref: 100
    AS path: [65100] I
    Communities: target:1:100 encapsulation:vxlan(0x8) esi-label:0x0:all-active (label 0)
Page 0 idx 1, (group IBGP-EVPN-Core type Internal) Type 1 val 0x11c5f588 (adv_entry)
  Advertised metrics:
    Nexthop: 10.101.100.3
    Localpref: 100
    AS path: [65100] I
    Communities: target:1:100 encapsulation:vxlan(0x8) esi-label:0x0:all-active (label 0)
Path 1:10.101.100.3:0::22222222222222222222:: FFFF:FFFF
Vector len 4. Val: 0 1
  *EVPN Preference: 170
    Next hop type: Indirect, Next hop index: 0
    Address: 0xccd5f90
    Next-hop reference count: 43071
    Protocol next hop: 10.101.100.3
    Indirect next hop: 0x0 - INH Session ID: 0x0
    State: <Secondary Active Int Ext>
    Age: 8w1d 9:56:33
    Validation State: unverified
    Task: __default_evpn__-evpn
    Announcement bits (1): 1-BGP_RT_Background
    AS path: I
    Communities: target:1:100 encapsulation:vxlan(0x8) esi-label:0x0:all-active (label 0)
    Route Label: 1
    Primary Routing Table __default_evpn__.evpn.0
```

Referring to the exhibit, which three statements are correct? (Choose three.)

- A. The ESI is 00:22:22:22:22:22:22:22:22:22.
- B. This route contains the MAC address of an end host.
- C. The router with the IP address 10.101.100.3 is the originator of this route.
- D. This ESI Auto-Discovery route is used for designated forwarder election.
- E. This route is an EVPN Type-1 route.

Correct Answer: ACE

**QUESTION 12**

You are considering different MPLS VPN connectivity options for a new customer deployment. Your customer requires shared LSPs, Layer 2 connectivity, and auto-provisioning.

Which type of VPN satisfies the requirements?

- A. BGP Layer 3 VPNs
- B. circuit cross-connects
- C. LDP Layer 2 circuits



D. BGP Layer 2 VPNs

Correct Answer: D

**QUESTION 13**

```
user@router> show bgp neighbor 192.168.100.2
Peer: 192.168.100.2+50862 AS 65512 Local: 192.168.100.1+179 AS 65512
  Group: INT                               Routing-Instance: master
  Forwarding routing-instance: master
  Type: Internal    State: Established    Flags: <Sync>
  Last State: OpenConfirm    Last Event: RecvKeepAlive
  Last Error: None
  Options: <Preference LocalAddress Refresh>
  Options: <GracefulShutdownRcv>
  Local Address: 192.168.100.1 Holdtime: 90 Preference: 170
  Graceful Shutdown Receiver local-preference: 0
  Number of flaps: 0
  Peer ID: 192.168.100.2    Local ID: 192.168.100.1    Active Holdtime: 90
  Keepalive Interval: 30    Group index: 0    Peer index: 0    SNMP index: 3
  I/O Session Thread: bgpio-0    State: Enabled
  BFD: disabled, down
  NLRI for restart configured on peer: inet-unicast
  NLRI advertised by peer: inet-unicast inet-vpn-unicast
  NLRI for this session: inet-unicast
  Peer supports Refresh capability (2)
  Stale routes from peer are kept for: 300
  Peer does not support Restarter functionality
  Restart flag received from the peer: Notification
  NLRI that restart is negotiated for: inet-unicast
  NLRI of received end-of-rib markers: inet-unicast
  NLRI of all end-of-rib markers sent: inet-unicast
  Peer does not support LLGR Restarter functionality
  Peer supports 4 byte AS extension (peer-as 65512)
  Peer does not support Addpath
  NLRI(s) enabled for color nexthop resolution: inet-unicast
...

```

Referring to the exhibit, the local BGP router is receiving IPv4 routes from the BGP neighbor, but it is not receiving L3 VPN routes from the BGP neighbor.

Which two actions should you take to solve this problem? (Choose two.)

- A. Configure the family inet-vpn unicast statement on the BGP neighbor.
- B. Configure the family inet unicast statement on the local BGP router.
- C. Configure the family inet-vpn unicast statement on the local BGP router.
- D. Configure the family inet unicast statement on the BGP neighbor.

Correct Answer: AC

---

**QUESTION 14**

You are responsible for configuring CoS for your network. Your network includes a video application with strict latency requirements, so that any packets delayed by more than 75 ms are effectively useless. You want to ensure that you do not waste buffer space.

When configuring the scheduler for this application, which feature would you use?

- A. remainder
- B. exact
- C. temporal
- D. rate limit

Correct Answer: C

---

**QUESTION 15**

Which two statements about IS-IS are correct? (Choose two.)

- A. Level 1 intermediate systems exchange routing information with Level 1 intermediate systems on other IS-IS areas.
- B. An IS-IS router sets the attached bit in the PDUs it sends to a Level 1 area to indicate that it is a backbone router.
- C. A Level 1 router can only form adjacencies with other Level 1 routers.
- D. Level 2 routers can form adjacencies with either Level 1 or Level 2 routers.

Correct Answer: BC

[JN0-663 VCE Dumps](#)

[JN0-663 Study Guide](#)

[JN0-663 Exam Questions](#)