

# NSE7\_OTS-6.4<sup>Q&As</sup>

Fortinet NSE 7 - OT Security 6.4

## Pass Fortinet NSE7\_OTS-6.4 Exam with 100% Guarantee

Free Download Real Questions & Answers **PDF** and **VCE** file from:

[https://www.pass2lead.com/nse7\\_ots-6-4.html](https://www.pass2lead.com/nse7_ots-6-4.html)

100% Passing Guarantee  
100% Money Back Assurance

Following Questions and Answers are all new published by Fortinet Official Exam Center

- ⚙️ **Instant Download** After Purchase
- ⚙️ **100% Money Back** Guarantee
- ⚙️ **365 Days** Free Update
- ⚙️ **800,000+** Satisfied Customers



**QUESTION 1**

An OT network architect needs to secure control area zones with a single network access policy to provision devices to any number of different networks.

On which device can this be accomplished?

- A. FortiGate
- B. FortiEDR
- C. FortiSwitch
- D. FortiNAC

Correct Answer: D

---

**QUESTION 2**

An OT architect has deployed a Layer 2 switch in the OT network at Level 1 the Purdue model-process control. The purpose of the Layer 2 switch is to segment traffic between PLC1 and PLC2 with two VLANs. All the traffic between PLC1 and PLC2 must first flow through the Layer 2 switch and then through the FortiGate device in the Level 2 supervisory control network.

What statement about the traffic between PLC1 and PLC2 is true?

- A. The Layer 2 switch rewrites VLAN tags before sending traffic to the FortiGate device.
- B. The Layer 2 switches routes any traffic to the FortiGate device through an Ethernet link.
- C. PLC1 and PLC2 traffic must flow through the Layer-2 switch trunk link to the FortiGate device.
- D. In order to communicate, PLC1 must be in the same VLAN as PLC2.

Correct Answer: C

---

**QUESTION 3**

What triggers Layer 2 polling of infrastructure devices connected in the network?

- A. A failed Layer 3 poll
- B. A matched security policy
- C. A matched profiling rule
- D. A linkup or linkdown trap

Correct Answer: D

---

**QUESTION 4**

Which three criteria can a FortiGate device use to look for a matching firewall policy to process traffic? (Choose three.)

- A. Services defined in the firewall policy.
- B. Source defined as internet services in the firewall policy
- C. Lowest to highest policy ID number
- D. Destination defined as internet services in the firewall policy
- E. Highest to lowest priority defined in the firewall policy

Correct Answer: ABD

**QUESTION 5**

What two advantages does FortiNAC provide in the OT network? (Choose two.)

- A. It can be used for IoT device detection.
- B. It can be used for industrial intrusion detection and prevention.
- C. It can be used for network micro-segmentation.
- D. It can be used for device profiling.

Correct Answer: CD

**QUESTION 6**

Refer to the exhibit.

Device Name	Device Type Vendor	Device Type Model	Device Hardware Model	Device Image File	Count
SJ-QA-A-IOS-JunOffice	Cisco	IOS	1760	C1700-advsecurityk9-mz.123-8.T4.bin	1
SJ-Main-Cat6500	Cisco	IOS	WS-C6509	s72033-advipservicesk9_wan-mz.122-33.SX11.bin	1
ph-network-3560_1	Cisco	IOS	WS-C3560G-48PS-S	c3560-advipservicesk9-mz.122-25.SEE4.bin	1

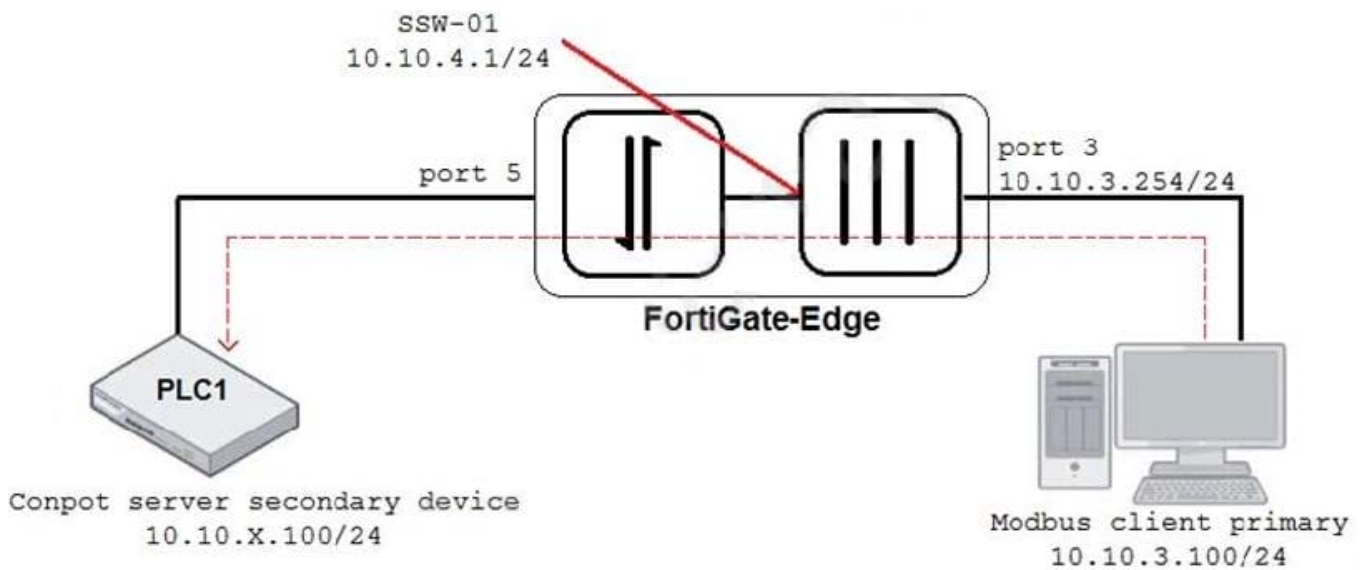
An OT administrator ran a report to identify device inventory in an OT network. Based on the report results, which report was run?

- A. A FortiSIEM CMDB report
- B. A FortiAnalyzer device report
- C. A FortiSIEM incident report
- D. A FortiSIEM analytics report

Correct Answer: A

**QUESTION 7**

Refer to the exhibit.



An OT architect has implemented a Modbus TCP with a simulation server Conpot to identify and control the Modbus traffic in the OT network. The FortiGate-Edge device is configured with a software switch interface ssw-01.

Based on the topology shown in the exhibit, which two statements about the successful simulation of traffic between client and server are true? (Choose two.)

- A. The FortiGate-Edge device must be in NAT mode.
- B. NAT is disabled in the FortiGate firewall policy from port3 to ssw-01.
- C. The FortiGate devices is in offline IDS mode.
- D. Port5 is not a member of the software switch.

Correct Answer: AC

**QUESTION 8**

An OT network architect must deploy a solution to protect fuel pumps in an industrial remote network. All the fuel pumps must be closely monitored from the corporate network for any temperature fluctuations.

How can the OT network architect achieve this goal?

- A. Configure a fuel server on the remote network, and deploy a FortiSIEM with a single pattern temperature security rule on the corporate network.
- B. Configure a fuel server on the corporate network, and deploy a FortiSIEM with a single pattern temperature performance rule on the remote network.
- C. Configure a fuel server on the remote network, and deploy a FortiSIEM with a single pattern temperature performance rule on the corporate network.
- D. Configure both fuel server and FortiSIEM with a single-pattern temperature performance rule on the corporate network.

Correct Answer: B

---

#### QUESTION 9

As an OT administrator, it is important to understand how industrial protocols work in an OT network. Which communication method is used by the Modbus protocol?

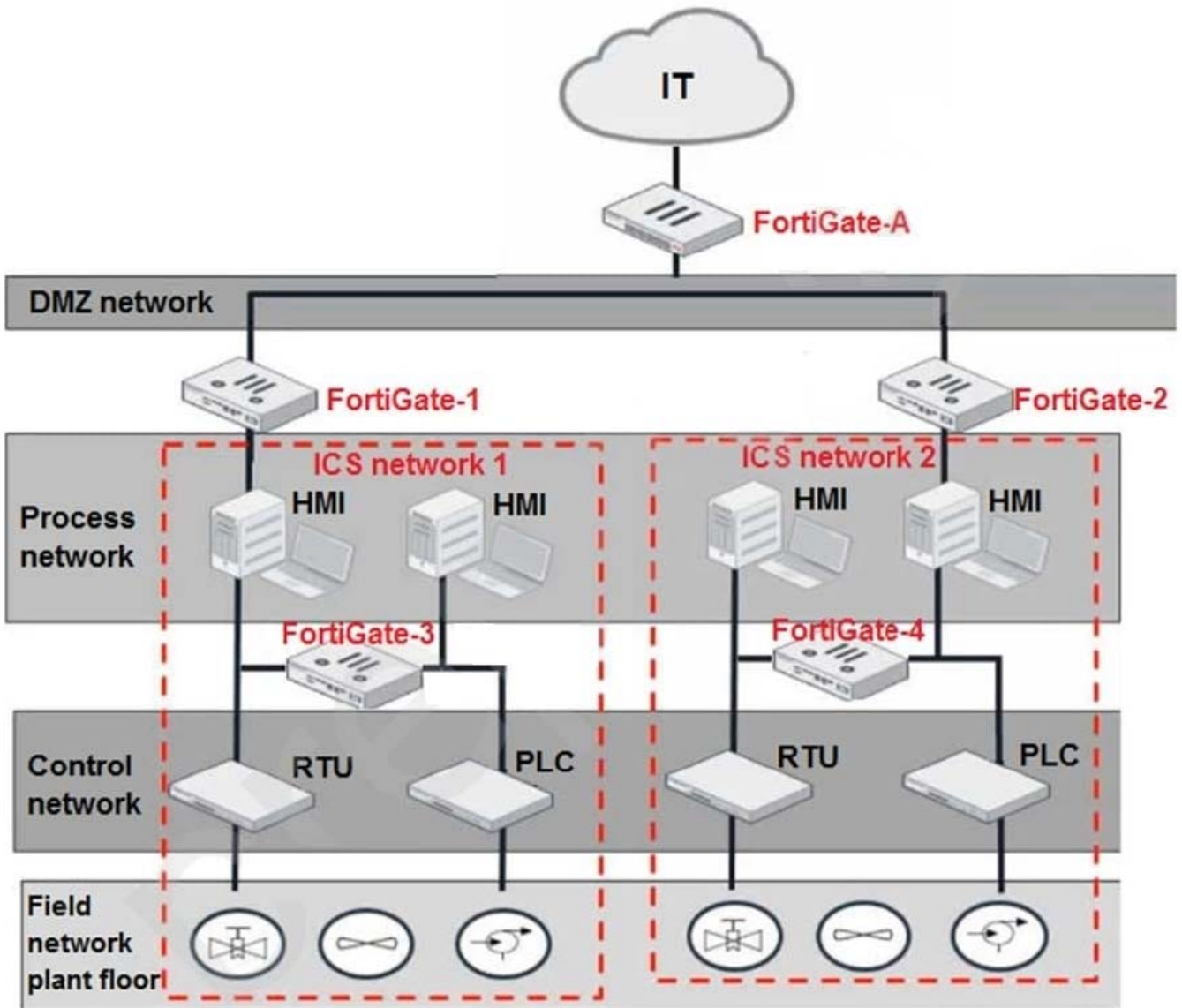
- A. It uses OSI Layer 2 and the primary device sends data based on request from secondary device.
- B. It uses OSI Layer 2 and both the primary/secondary devices always send data during the communication.
- C. It uses OSI Layer 2 and both the primary/secondary devices send data based on a matching token ring.
- D. It uses OSI Layer 2 and the secondary device sends data based on request from primary device.

Correct Answer: D

---

#### QUESTION 10

Refer to the exhibit.



Based on the topology designed by the OT architect, which two statements about implementing OT security are true? (Choose two.)

- A. Firewall policies should be configured on FortiGate-3 and FortiGate-4 with industrial protocol sensors.
- B. Micro-segmentation can be achieved only by replacing FortiGate-3 and FortiGate-4 with a pair of FortiSwitch devices.
- C. IT and OT networks are separated by segmentation.
- D. FortiGate-3 and FortiGate-4 devices must be in a transparent mode.

Correct Answer: CD

[Latest NSE7\\_OTS-6.4 Dumps](#)

[NSE7\\_OTS-6.4 Practice Test](#)

[NSE7\\_OTS-6.4 Braindumps](#)